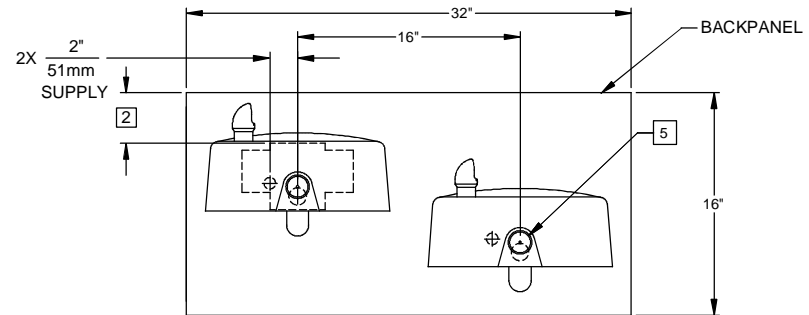
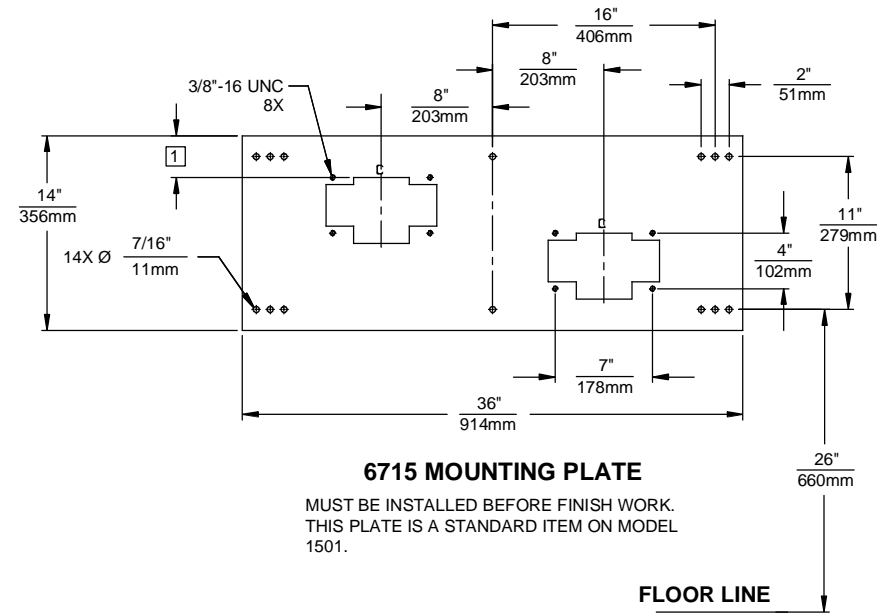
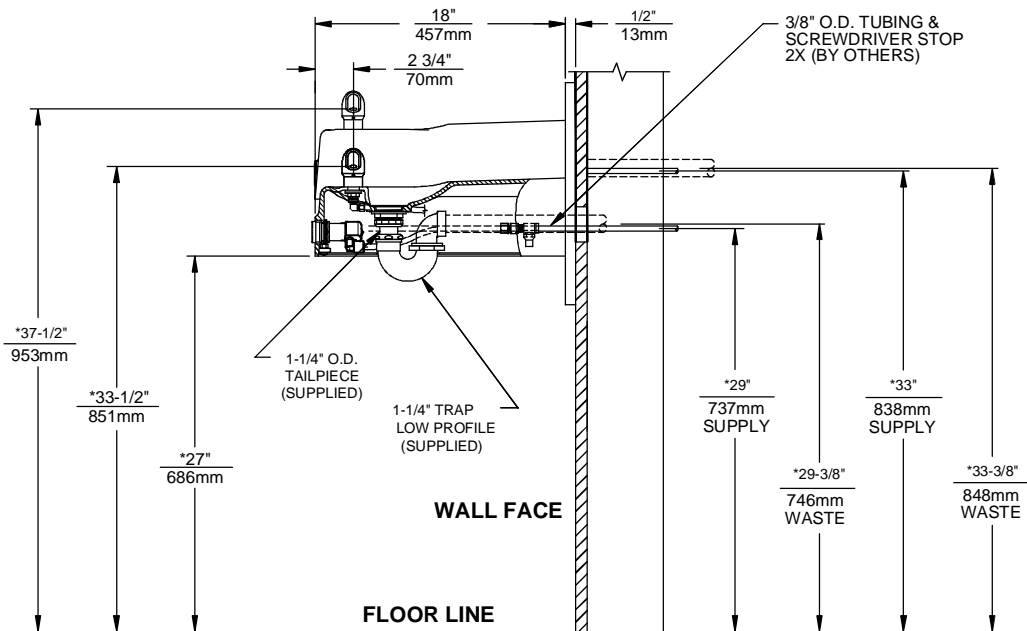


FINISH WALL OVER MOUNTING PLATE AND BEHIND BACKPANEL. BE CAREFUL THAT FINISHED WALL EXTENDS WITHIN THE HAWS BACKPANEL.



NOTES:

- 1 3" DIM TO SLOTTED OPENING ON THE MOUNTING PLATE MUST BE ON THE TOP L.H. SIDE WHEN INSTALLED.
- 2 4-5#16" DIM TO SLOTTED OPENING ON THE BACKPANEL MUST BE ON TOP L.H. SIDE WHEN INSTALLED.
3. HOLD ROUGH-IN DIMENSIONS $\pm 1/4$ " (6.4MM).
4. WHEN INSTALLING THIS UNIT, LOCAL, STATE, OR FEDERAL CODES SHOULD BE ADHERED TO. FOR INSTALATION HEIGHTS OTHER THAN SHOWN, DIMENSIONS MARKED (*) MUST BE ADJUSTED ACCORDINGLY.
- 5 REFER TO 5874SS/VRK5874 OPERATION AND MAINTENANCE MANUAL FOR PUSH BUTTON AND VALVE INSTALLATION/MAINTENANCE INSTRUCTIONS.

1455 KLEPPE LANE
SPARKS, NEVADA 89431
(775) 359-4712 FAX (755) 359-7424
E-MAIL: HAWS@HAWSCO.COM
WEBSITE: WWW.HAWSCO.COM

ECN NO.	REVISED PER	BY:	HM	MODEL(S)		PART NUMBER
	ECN: 4797					0002076988.D
DRAWN:	DATE:	CHK'D:				DRAWING NO.
F. VASQUEZ	05/15/01					14939A00
APPROVED:	DATE:					REV
						11
SCALE: 1:14		DRAWING TYPE: INSTALLATION		SIZE: A		SHEET 1 OF 1