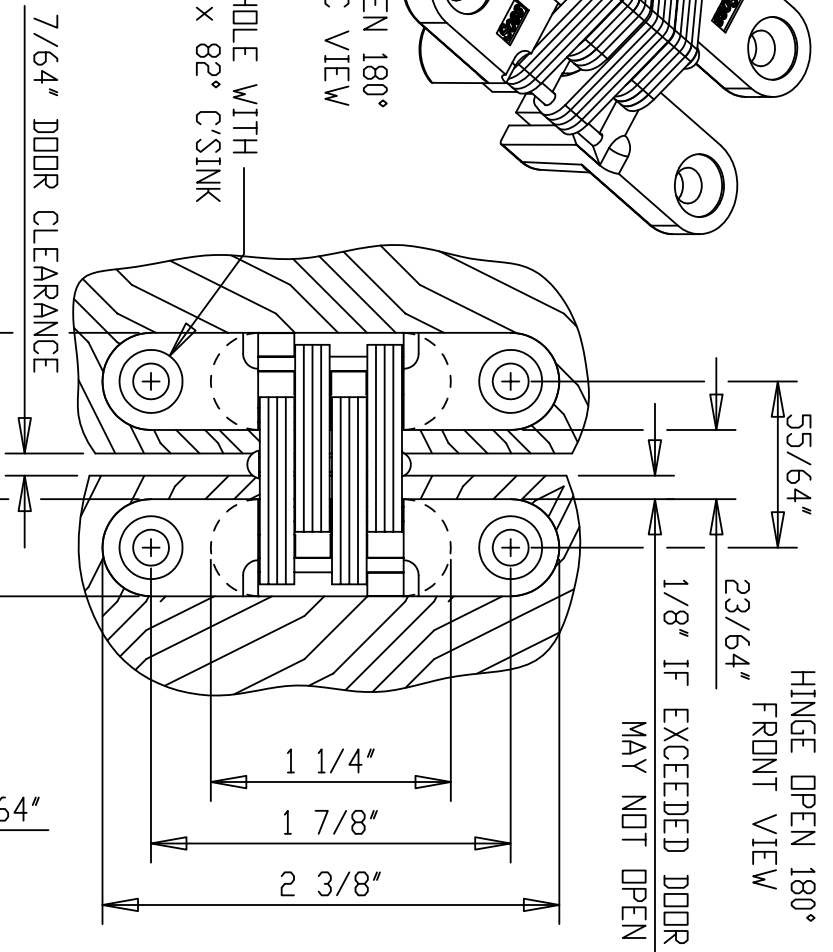


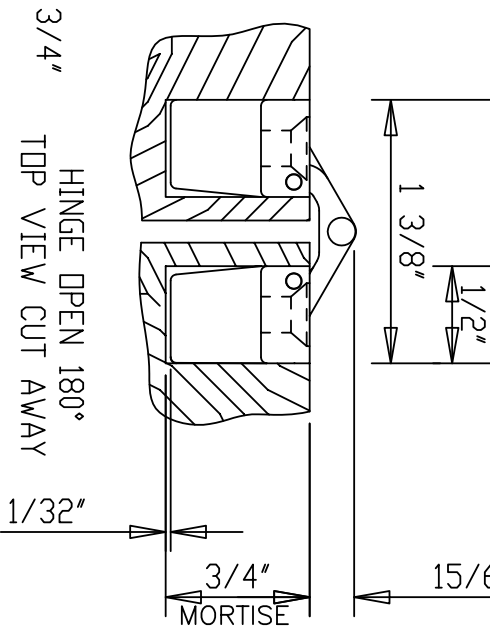
HINGE OPEN 180°  
ISOMETRIC VIEW



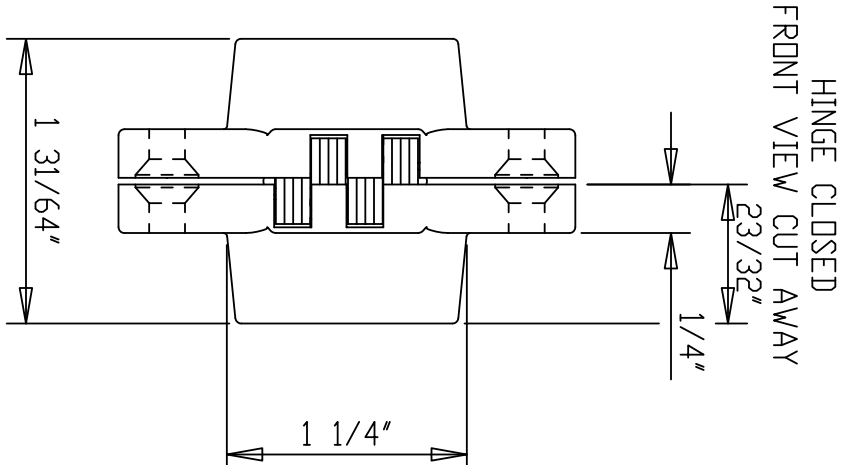
HINGE OPEN 180°  
FRONT VIEW

1/8" IF EXCEEDED DOOR  
MAY NOT OPEN

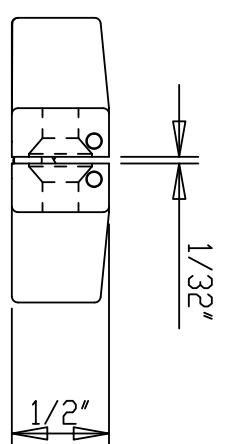
SUPPLIED:  
WOOD SCREW  
#7 x 1-1/4"  
SPECIAL ORDER:  
MACH. SCREW  
#8-32 x 5/8"



HINGE OPEN 180°  
TOP VIEW CUT AWAY



HINGE CLOSED  
FRONT VIEW CUT AWAY



HINGE CLOSED  
TOP VIEW CUT AWAY

MIN. MATERIAL THICKNESS IS 3/4"  
DO NOT SCALE DRAWING  
ALL DIMENSIONS ARE IN INCH  
DOOR CLEARANCE REDUCES TO 1/64" WHILE CLOSING  
SEE DWG# 4477-C IF ADDING MATERIAL TO DOOR FACE AND/OR FRAME FACE

<p>©Copyright 2008 Universal Industrial Products, Inc. One Corey Drive Floer, Ohio 43534-0628</p>		SCALE: 1 = 1
		DRAWN BY: LHH
HINGE TEMPLATE		DATE: 5/01/11
#204 SSSS INVISIBLE HINGE		DRAWING # 204