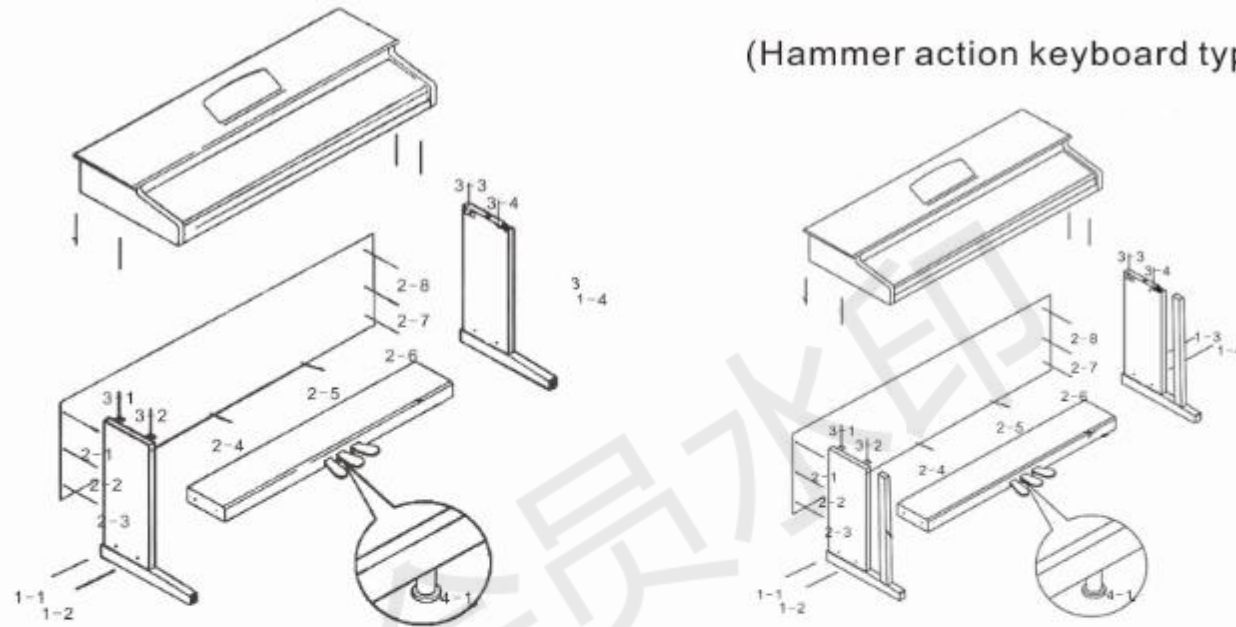


# Installation Graphic Representation

(Hammer action keyboard type)



1. 1-1 to 1-4 screws (4 PCS)
2. 2-1 to 2-8 screws (8 PCS)
3. 3-1 to 3-4 plastic fix part screw M6\*25(4PCS)
4. 4-1 plastic fix part (1PCS)

(Note :In order to avoid trample the pedal, after finish install make sure the plastic fix part contact with the ground)