

Product Information

Applicable product:	
Bathroom sink with overflow, with clamps	K-2209
Bathroom sink with overflow, with clamps	K-2210
Bathroom sink with glazed underside, without overflow, with clamps	K-2210-G
Bathroom sink with overflow, without clamps	K-2210-L
Bathroom sink without overflow	K-2210-N
Bathroom sink with overflow, with clamps	K-2211
Bathroom sink with glazed underside, without overflow, with clamps	K-2211-G
Bathroom sink with overflow, without clamps	K-2211-L

Fixture*:	Basin area	Water depth
K-2209	15" (381 mm) x 12" (305 mm)	4" (102 mm)
K-2210/K-2210-L/ K-2210-N/K-2210-G	17" (432 mm) x 14" (356 mm)	4" (102 mm)
K-2211/K-2211-G/ K-2211-L	19" (483 mm) x 15" (381 mm)	4" (102 mm)
Drain hole	Ø 1-3/4" (44 mm)	
* Approximate measurements for comparison only.		

Cutout template, K-2209	85838-7
-------------------------	---------

Cutout template, K-2210	1151011-7
Cutout template, K-2211	1018997-7

Included components:	
Basin clamp assembly (not included with K-2210-L and K-2211-L)	1193643

Installation Notes

Install this product according to the installation guide.

NOTICE: Countertop manufacturer or cutter must use the current product template available at www.kohler.com, or by calling 1-800-4KOHLER. Kohler Co. is not responsible for cutout errors when the incorrect cutout template is used.

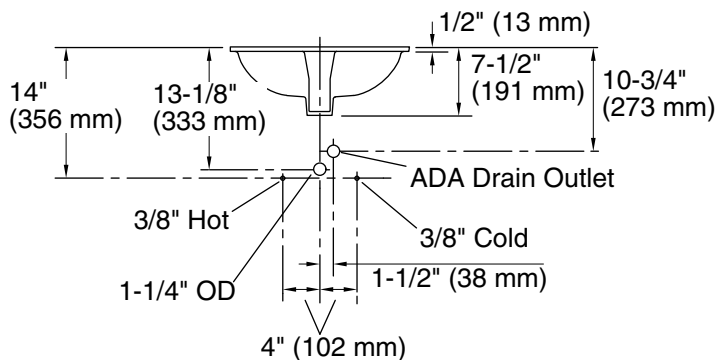
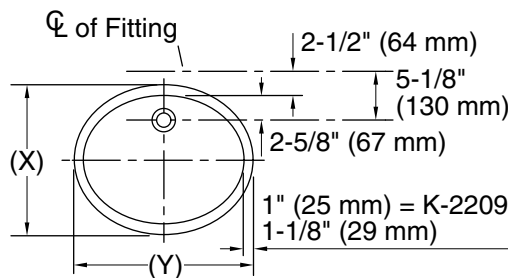
Will comply with **ADA** when installed per Section 606 Lavatories and Sinks of the 2010 ADA Standards for Accessible Design.

Will comply with **CSA B651** when installed per Clause 4.3.3 of the standard.

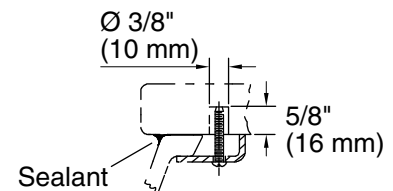
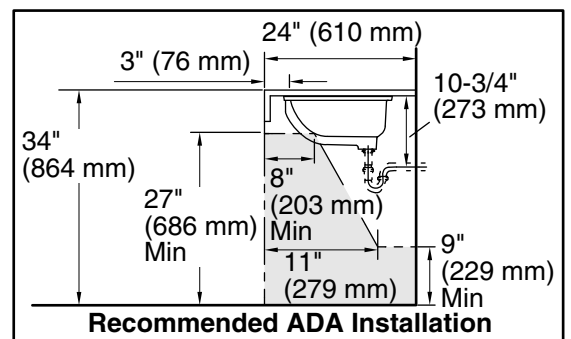
Will comply with **OBC** when installed per Clause 3.8.3.11.

Fixture conforms to ASME Standard A112.19.2/CSA B45.1. All dimensions are nominal.

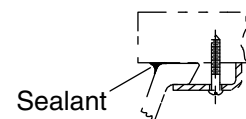
K-2209: (X) = 14" (356 mm), (Y) = 17" (432 mm)
 K-2210: (X) = 16-1/4" (413 mm), (Y) = 19-1/4" (489 mm)
 K-2211: (X) = 17-1/4" (438 mm), (Y) = 21-1/4" (540 mm)



Standard Installation



Marble Installation



Wood Installation