



URBAN LIFESTYLE BED FRAME

ATLANTIC FURNITURE

ASSEMBLY INSTRUCTIONS

Before assembling your bed frame, please read through these instructions carefully. Familiarize yourself with the different parts.

ATTENTION! If you receive a damaged or defective item, please contact Atlantic Furniture at service@atlanticfurniture.com 1-800-955-3726 / M-F 9:00-5:00 EST

Instructions apply for all sizes of bed
> Twin > Full > Queen > King

PARTS LIST

- 1 MID RAIL 1 PC
- 2 TALL LEG 2 PCS
- 3 SHORT LEG 2 PCS
- 4 LONG RAIL 2 PCS

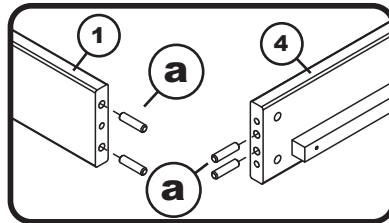
HARDWARE

- a Wooden Dowels- 12 pcs
Spare - 1 pc
- b JCB M6 X 120mm(4 3/4") - 2 pcs
Spare - 1 pc
- c JCB M6 X 70mm(2 3/4") - 4 pcs
Spare - 1 pc
- d Barrel Nut - 6 pcs
Spare - 2 pcs
- e Allen Wrench - 1pc
Spare - 1pc

NOTE : WE INCLUDE SPARE HARDWARE IN CASE THE ALLEN WRENCH, JCB, WOODEN DOWEL OR BARREL NUT ARE DAMAGED DURING ASSEMBLY.

Step 1

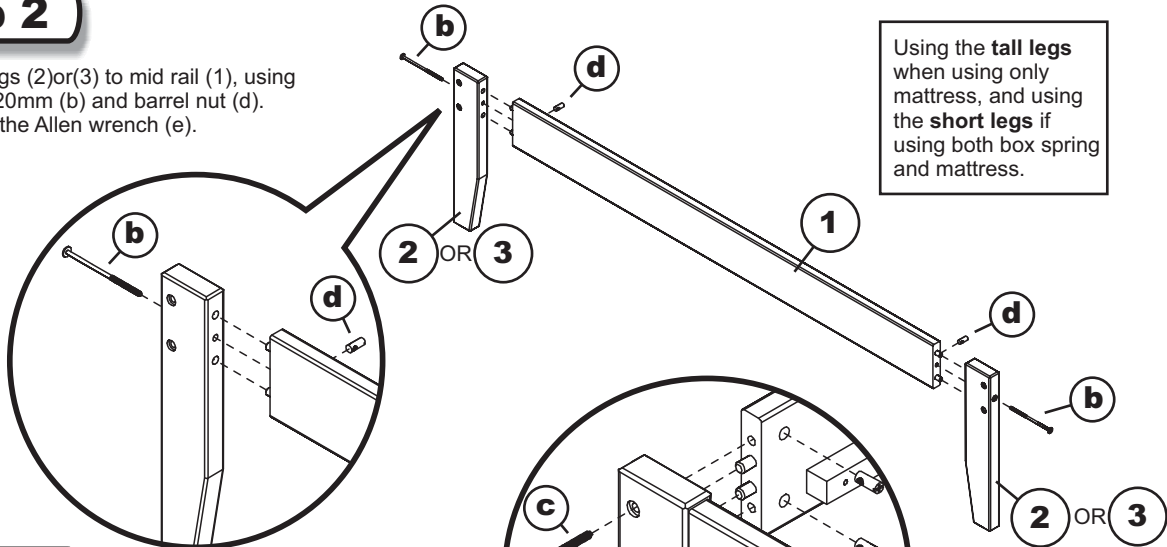
Insert wooden dowels (a) to the locator holes will receive (a). Both end



Step 2

Attach the legs (2)or(3) to mid rail (1), using JCB M6 X 120mm (b) and barrel nut (d). Tighten with the Allen wrench (e).

Using the **tall legs** when using only mattress, and using the **short legs** if using both box spring and mattress.



Step 3

Attach long rails (4) to the mid rail assemblies, using JCB M6 X 70mm (c) and barrel nut (d) as shown. Tighten with allen wrench (e). For Headboard assembly, follow assembly instructions included with headboard.

