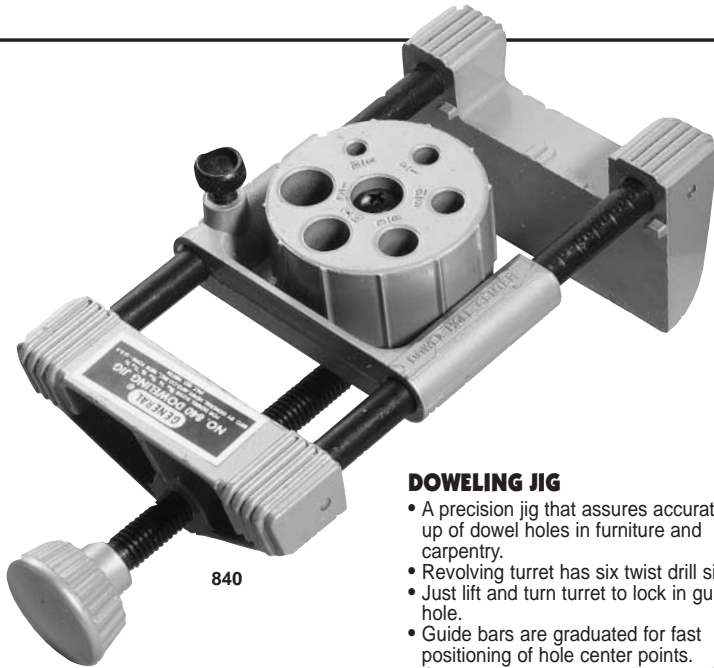


# Woodworking Tools

## DRILL ACCESSORIES

General's doweling jigs are precision jigs that assure the accurate line-up of dowel holes in furniture and carpentry. Simply clamp the jig onto your workpiece to quickly and accurately drill holes for dowel pins requiring exact alignment in the edge, end or surface of your work. Graduations permit direct reading and accurate setting of jig to center line of work.

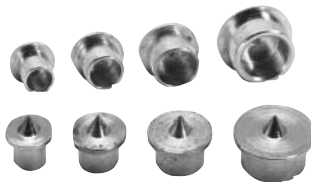


840

### DOWELING JIG

- A precision jig that assures accurate line up of dowel holes in furniture and carpentry.
- Revolving turret has six twist drill sizes.
- Just lift and turn turret to lock in guide hole.
- Guide bars are graduated for fast positioning of hole center points.
- Clamp screw locks tool onto work from 0" to 4" in width.
- Rust resistant plated turret and parts and painted die-cast body.
- Instructions included.

UPC CODE	NO.	CAPACITY
24120 7	840	3/16", 1/4", 5/16" 3/8", 7/16", 1/2"



889

### DOWEL PINS

- General's dowel centers are the quickest and most accurate method to locate, transfer and match dowel holes.
- Made of nickel plated steel.
- Set includes 8 pcs., two of each size: 1/4", 5/16", 3/8", 1/2" diameter.

### DOWEL AND TENON CENTERS

- For accurate transfer of dowel holes and tenons.
- Scribe point transfers mark for accurate drilling position.
- Internal centering pin locates center of dowel for accurate drilling.
- Made of brass plated steel.
- Set includes eight pieces which provides user with four tenon sizes: 3/16", 1/4", 5/16", 3/8" I.D. and four dowel sizes: 1/4", 5/16", 3/8", 1/2" O.D.

UPC CODE	NO.	
25099 5	888	Dowel centers
25111 4	889	Dowel and tenon pins



841

### DIAL SETTING DOWELING JIG

- General's exclusive Dial Setting Doweling Jig is a significant advance over currently available edge to surface doweling jigs.
- Complements our best selling Doweling Jig No. 840.
- Its unique design reduces the need for prior measurements and markings.
- For right angle doweling, no reversing of workpieces is necessary; simply clamp work into place and drill dowel holes. No further setup is necessary; just slide jig along workpieces to produce any number of matching dowel holes.
- Tee joints can also be made with fewer measurements, as guide slots align workpieces for drilling.
- Color-coded dial sets correct dowel hole size for wood thickness.
- Dial simultaneously positions both bushings for accurate drilling of right angle joints.
- Hardened steel guide bushings with steel positioning mechanism in high-impact engineering plastic body.
- Makes dowel holes of 1/4", 5/16" and 3/8" in wood stock from 13/32" to 1-1/8" thick.
- For use with twist drill and brad point drills.

UPC CODE	NO.	CAPACITY
24123 8	841	1/4", 5/16", 3/8"



S838

### DRILL STOP SET

- For use on twist or brad point drills to prevent excessive drill penetration.
- Positive depth control assures exact hole depths for multiple drilling jobs.
- Black oxide finish on cold rolled steel.
- Includes hex wrench.

UPC CODE	NO.	SIZE INCLUDED
23096 6	S838	3/16" dia., 1/4" dia., 5/16" dia., 3/8" dia., 7/16" dia., 1/2" dia.