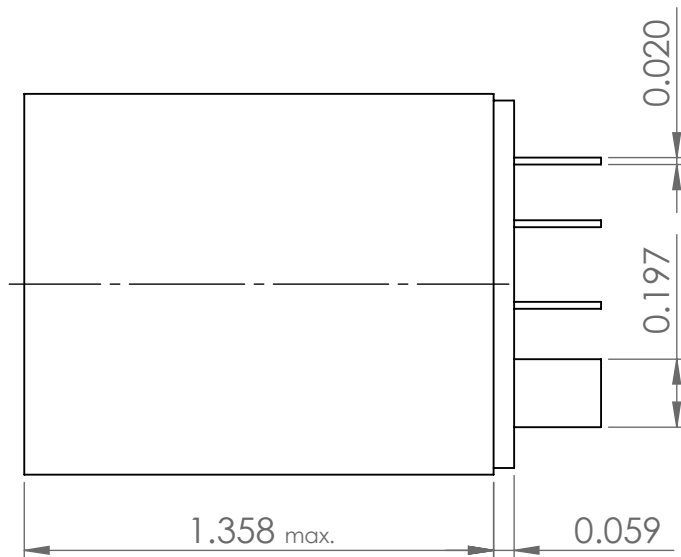
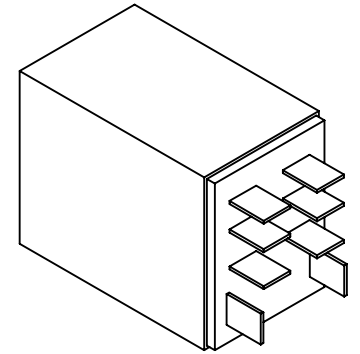
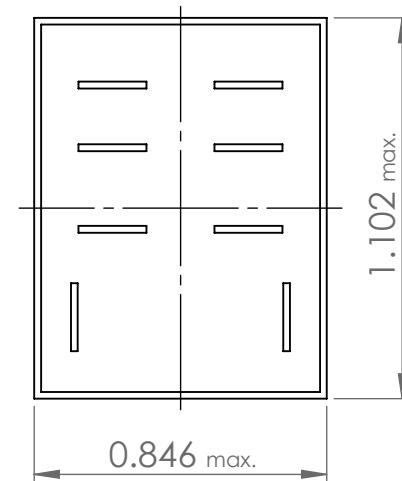


B005T672FQ



FRONT



SIDE

ITEM NAME:

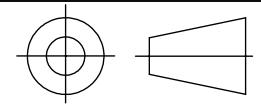
Omron LY2-D-DC24 General Purpose Relay, Diode Surge Suppression Type, Plug-In/Solder Terminal, Standard Bracket Mounting, Single Contact, Double Pole Double Throw Contacts, 36.9 mA Rated Load Current, 24 VDC Rated Load Voltage

ASIN :

B005T672FQ

MATERIAL :

-



BRAND :

Omron

UNLESS OTHERWISE SPECIFIED
DIMENSIONS ARE IN INCHES

INFORMATION IN THIS DRAWING IS PROVIDED FOR
REFERENCE ONLY

<http://www.amazonsupply.com>
Amazon Supply, An Amazon Company

amazon supply