



No-Drip Mini Steam Iron User Guide



Distributed by
C & A Marketing
2 Bergen Turnpike
Ridgefield Park, NJ 07660
info@myivation.com

Made in China
Ivation is a trademark of
C&A IP Holdings, LLC
©2015 All rights reserved

Thank you for purchasing the Ivation Anti-Drip Mini Steam Iron. This User Guide is intended to provide you with guidelines to ensure that operation of this product is safe and does not pose risk to the user. Any use that does not conform to the guidelines described in this User Guide may void the limited warranty.

Please read all directions before using the product and retain this guide for reference. This product is intended for household use only.

This product is covered by a limited one-year warranty. Coverage is subject to limits and exclusions. See warranty for details.

IMPORTANT SAFEGUARDS

When using electrical appliances, basic safety precautions should always be followed, including the following:

1. READ ALL INSTRUCTIONS.
2. To protect against risk of electrical shock, do not place cord, plugs, or appliance in water or other liquid.
3. Children should not operate this appliance and care should be taken when used near children.
4. Unplug from outlet when not in use, before attaching or removing parts, and before cleaning.
5. Avoid contact with moving parts.
6. Do not operate any appliance with a damaged cord or plug or after the appliance malfunctions, or is dropped or damaged in any way. Return to the nearest authorized service facility for examination, repair or electrical / mechanical adjustment.
7. Do not use outdoors.
8. Do not hang cord over the edge of table or counter.
9. Keep cord away from hot surfaces, such as a stove.
10. Do not leave appliance unattended while operating.
11. Do not place this appliance on or near a hot gas or electric burner, or where it could contact a heated oven.
12. Do not use this appliance for anything other than its intended use.

FOR HOUSEHOLD USE ONLY! SAVE THESE INSTRUCTIONS

IMPORTANT ADDITIONAL SAFEGUARDS

1. Users of this appliance must read and understand these instructions before operating or cleaning this appliance.
2. The cord to this appliance should be attached to a 120 V AC electrical outlet ONLY.

3. Do not use or attempt to repair a malfunctioning appliance.
4. If this appliance falls or accidentally is immersed in water, unplug it immediately. Do not reach into the water!
5. Do not use this appliance after it has fallen into or becomes immersed in water.
6. To reduce the risk of injury to persons or property, never use this appliance in an unstable position.

NOTES ON THE CORD

The short power-supply cord provided should be used in a way that reduces the risk resulting from becoming entangled in or tripping over a longer cord. Do not use an extension cord with this product.

NOTES ON THE PLUG

This appliance has a polarized plug (one blade is wider than the other). To reduce the risk of electric shock, this plug will only fit in a polarized outlet one way. If the plug does not fit fully into the outlet, reverse the plug. If it still does not fit, contact a qualified electrician. Do not modify the plug in any way.

ELECTRIC POWER

If the electrical circuit is overloaded with other appliances, your appliance may not operate properly. It should be operated using a separate electrical circuit from other appliances.

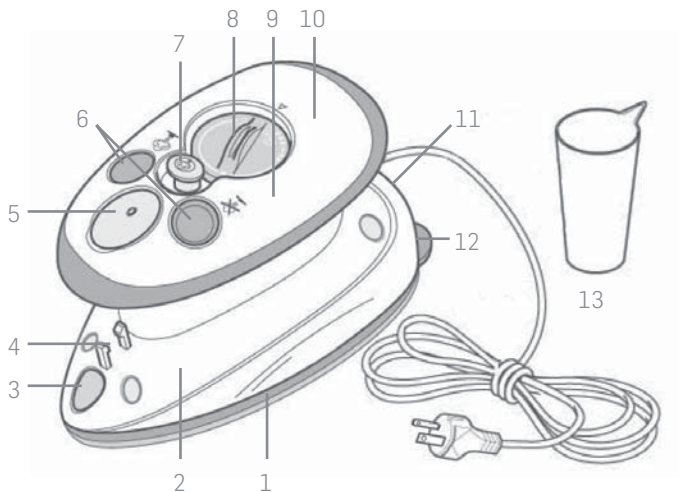
Specifications

VOLTAGE:	100-127V / 220-240V
WATTAGE:	260W - 420W / 343W - 408W
AMPERAGE:	3.0A
FREQUENCY:	60Hz
WATER CAPACITY:	1.1 OZ. (32 ML.)
HEATING TIME:	15 SEC. (APPROXIMATE)
TEMPERATURE RANGE:	140°F - 428°F (60°C - 220°C)
UNIT WEIGHT:	1.08 LBS. (0.49 KGS.)
UNIT SIZE:	5.3" (13.5 CM.) x 2.9" (7.6 CM.) x 3.1" (7.9 CM.)

Parts and Controls

Product may vary slightly from illustration

1. Ceramic soleplate (Anti-Drip Design)
2. Main Unit
3. Heat Indicator Light
4. Power Cord Clip
5. Reservoir Cap
6. Reservoir Windows
7. Steam Button
8. Temperature Control Dial
9. Hand Grip
10. Internal Water Reservoir
11. Voltage Selector
12. Stands
13. Measuring Cup



Preparing for Use

1. Unpack the Ivation Anti-Drip Mini Steam Iron carefully, removing all packaging materials. Check the contents to ensure that all parts and accessories are present, and are in good condition.
2. Set the Voltage
 - a. This Steam Iron features dual-voltage functionality, which allows it to function correctly in regions with either 100-127V or 220-240V electrical voltage standards. Voltage is set using the Voltage Selector.

IMPORTANT: By default, the Voltage Selector is set to the 100-127V setting. Be sure to select the correct voltage for your location before plugging power cord into an electrical outlet.

b. To change the voltage setting:

NOTE: These steps assume that Voltage Selector is still set to 100-127V default.

- i.) Locate Voltage Selector, recessed inside slot at rear of Main Body. Note the white open notch in middle of Voltage Selector.
- ii.) Find a tool with a fine tip (i.e., a pen).
- iii.) Carefully insert tip of pen into white notch. Slide Voltage Selector to the right, towards 220-240V label.

IMPORTANT: Be sure that Voltage Selector is moved as far to the right as possible for voltage setting to take effect correctly.

iv.) Unit is now ready for use in a 220V region. To set unit back to 100V, reverse STEPS ii & iii, this time sliding Voltage Selector as far to the left (towards 100-127V label) as possible.

3. Fill Water Reservoir (For Steam Ironing)

- a. Ensure that the unit is both unplugged and turned off
- b. Place unit (Soleplate down) on a flat, heat-resistant surface.
- c. Fill Measuring Cup with water up to MAX (1.1 oz. / 32 ml.) mark.

NOTE: In order to extend the life of your unit and keep it functioning at its maximum potential, it is highly recommended that distilled or de-mineralized water be used in Water Tank.

- d. Open Water Reservoir Cap. Pour water from Measuring Cup into reservoir.
- e. Close Water Reservoir Cap



General Operation

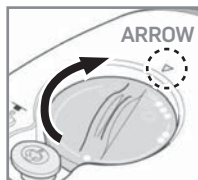
Dry Ironing

1. Plug power cord into wall outlet.
2. Turn Temperature Control Dial clockwise lining up the small arrow on the Hand Grip with one of three heat settings on the dial. The Heating Indicator Light will illuminate.

NOTE: It is recommended to start with lower temperatures, as high temperature settings designed for heavy materials can damage delicate fabrics.

3. When the Heating Indicator Light turns off, the Soleplate is fully heated and ready for use.

NOTE: During use, the Heating Indicator Light will cycle on and off as unit adjusts to a constant temperature.



Steam Ironing

1. Plug power cord into wall outlet.
2. Turn Temperature Control Dial clockwise as far as possible setting unit to high temperature (MAX ∞). Heating Indicator Light will illuminate.
3. When Heating Indicator Light turns off, press Steam Button. Button will lock into raised position, and unit will emit steam from vents on Soleplate.

NOTE: Unit is designed to steam horizontally. Steam flow will stop whenever unit is in vertical upright position. The molding is specifically designed to be anti-drip, reducing the occurrence of hot water dripping on clothes (which can damage materials) or skin (which can cause burns).

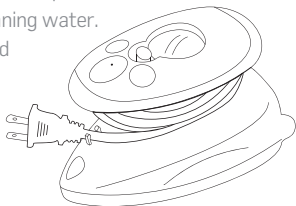
4. To stop steam flow, press Steam Button again to lock into lowered position.



Once all ironing is finished, turn Temperature Control Dial counter-clockwise to off (O) position. Be sure that Steam Button is locked in lowered position. Prop unit upright on Stands to cool, and refer to the Care and Storage section of this user guide for proper cleaning and storage.

Care and Storage

1. Turn Temperature Control Dial to "off" (0) position. Unplug power cord.
2. Position unit upright on Stands and allow Soleplate to cool for 30 minutes.
3. Open Water Reservoir Cap and drain any remaining water into a sink or tub. Close Cap when finished.
4. Wipe Main Body and Soleplate with a soft cloth lightly moistened with water.
 - DO NOT clean Soleplate with detergents.
 - DO NOT clean Soleplate with abrasive or corrosive products.
 - DO NOT submerge unit or hold unit under running water.
5. Wrap power cord around base of Hand Grip and secure end in Power Cord Clip. Store unit and Measuring Cup in a cool, dry location.



Mineral Build-Up

1. Follow STEPS 1-3 under Care and Storage section above; however, leave Water Reservoir Cap open.
2. Make a mixture of 0.5 oz. distilled water and 0.5 oz. vinegar.
3. Using the Measuring Cup, pour water-vinegar solution into Water Reservoir. Close Cap.
4. Follow normal steam ironing procedure, as outlined in the General Operation Section of this user guide. Allow unit to steam out full contents of Water Reservoir. When finished, lock Steam Button in lowered position and unplug unit.
5. Allow to cool for five (5) minutes, then refill Water Reservoir with fresh distilled water. Repeat STEP 4 until vinegar odor dissipates.
6. Store unit as normal.

User Maintenance

This appliance requires little maintenance. It contains no user-serviceable parts. Any servicing requiring disassembly other than cleaning must be performed by a qualified appliance repair technician.

This product is covered by a limited one-year warranty. Coverage is subject to limits and exclusions. See warranty for details.

Customer Service:

info@myivation.com

866-849-3049