



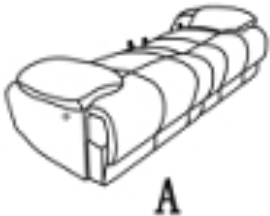


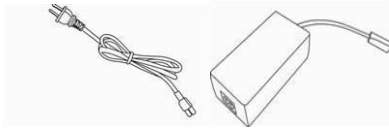

Assembly Instruction

SOFA, POWER RECLINER

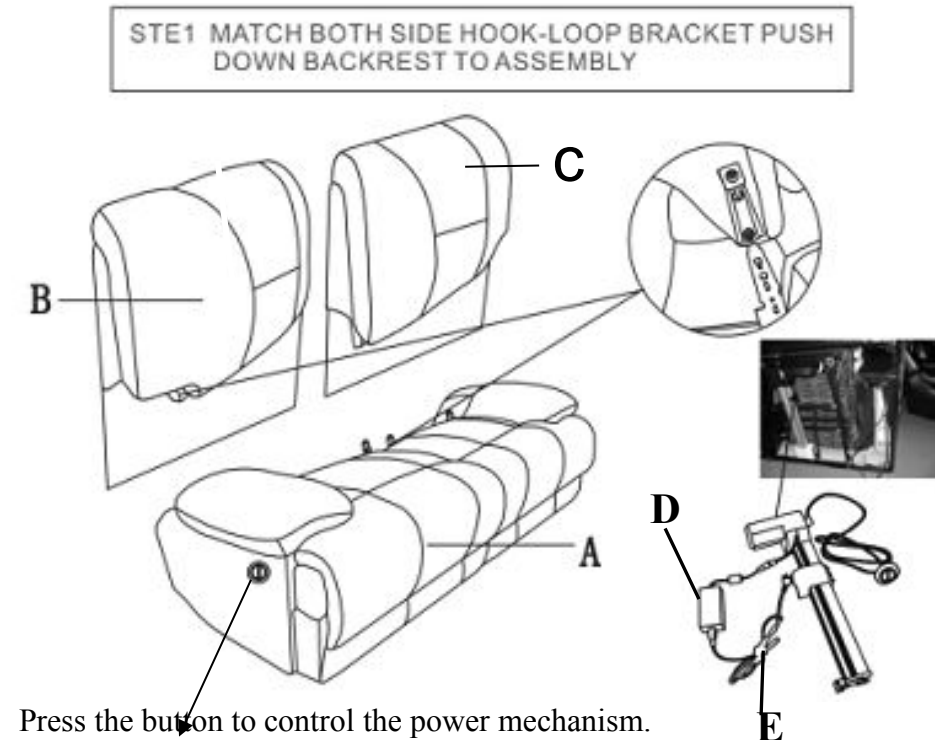
ITEM NO.:9723-3PW

NOTE: Do not use power tools for assembly. Power tools increase the risk of over tightening which leads to splitting or cracking the wood.

COMPONENT LIST (SOFA)

NO·	DRAWING	QTY	DESCRIPTION
A		1	SEAT FRAME
B		1	LEFT BACKREST
C		1	RIGHT BACKREST
D		1	POWER CORD
E		1	EXTESION CORD

Please follow the drawings below to assemble the item.



Care Instruction for Plush Microfiber Furniture:

In order to preserve the original appearance of your Plush Microfiber Furniture, please follow below simple care procedures:

- Avoid exposing furniture directly to sunlight or heating and air conditioning outlets. Sunlight and/or exposure to heating and air conditioning outlets will fade/damage Plush Microfiber. Do not place your upholstered furniture too close to windows, radiators, or vents, and be sure to use window treatments to block the sun's rays.
- Vacuum or wipe with a soft brush to remove dust.
- Clean Plush Microfiber with professional cleanser.

Warning !

Do not allow electrical cord to be pinched between moving parts or between the frame and the floor. Do not place cord under carpet or in location where it could become worn.