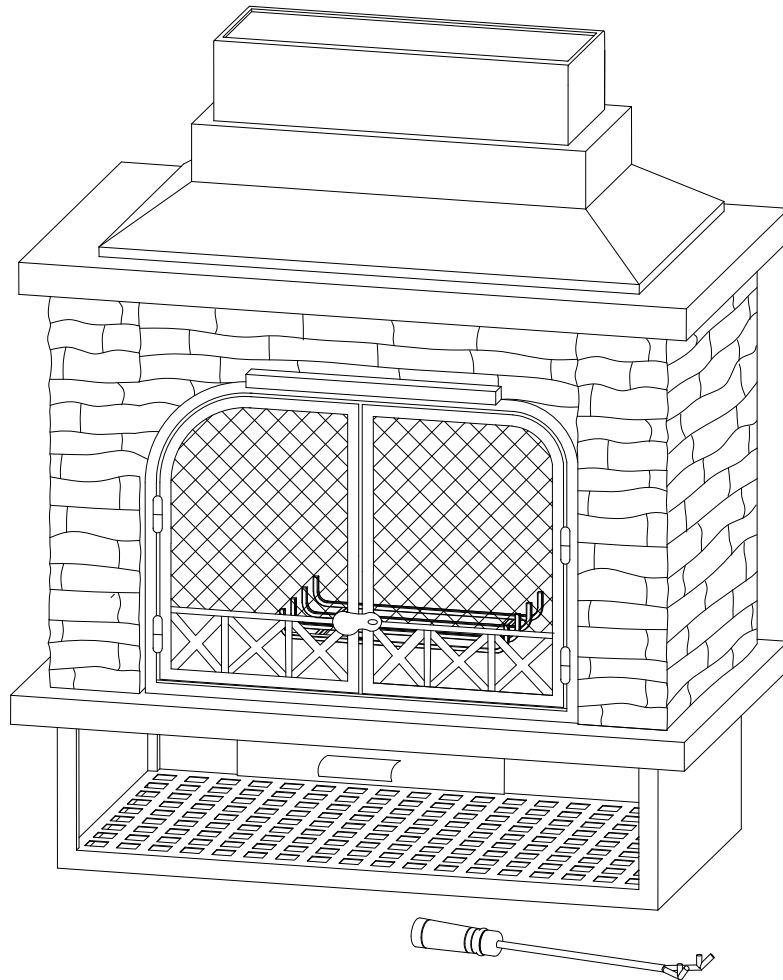


Sunjoy L-OF079PST-1 Cultured Stone Fire Place

Owner's Manual



IMPORTANT

Thank you very much for choosing Sunjoy Group.

Please take time to read these instructions thoroughly and follow each step carefully for safe and easy operation. Keep this manual for future reference.

We would like to hear from you with any comments or suggestions. You can call us toll-free at 1-866-578-6569 from 8:00 a.m. EST to 8:00 p.m. PST. You can also send the email to amazon@sunjoygroup.com or visit www.sunjoyonline.com to get tech. assistance or to place your replacement part order form.

Cautions:

1. Keep all children and pets away from assembly area. Children and pets should be supervised while product is being assembled.
2. This unit is heavy, two people is well for safe assembly.
3. Some parts may contain sharp edges. Wear protective gloves if necessary during assembly.
4. When assembling and using this product, basic safety precautions should always be followed to reduce the risk of personal injury and damage to equipment. Please read all instructions before assembly and use.
5. This outdoor fireplace is intended for outdoor use only. Do not use on wooden decks.
6. This outdoor fireplace is intended to burn wood logs only. Do not burn coal, leaves, or other combustible materials in the fireplace.
7. The fireplace is hot. Use with caution. Do not touch the hot fireplace with bare hands.
8. Never leave the burning fireplace unattended, and always extinguish the fire completely before leaving the fire bowl.
9. Do not use near flammable or combustible objects or materials.
10. When the fireplace is in use, the handle on the mesh screen can reach extreme temperatures that can cause serious injury to an unprotected hand. Use a poker or an appropriate heat resistant glove or pad when handling.
11. DO not use the fireplace as cooking appliance. The fireplace isn't designed for grilling food.
12. Check local fire regulations and municipal by-laws for safe use.
13. **Fuels used in wood or charcoal burning appliances, and the products of combustion of such fuels, contain chemicals known to cause cancer, birth defects or other reproductive harm.**

Assembly Instructions:

Our clear, easy-to-follow, step-by-step instructions will guide you through the project from start to finish.

Parts identification: For ease of identification, all parts are labeled to correspond to the Step number in which the part is used.

Parts List

Part No.	Description	Qty
A	Chimney	1PC
B	Top	1PC
C	Body	1PC
D	Grate	1PC
E	Board (Pre-assembled)	1PC
F	Base	1PC
G	Ash tray	1PC
H	Poker	1PC

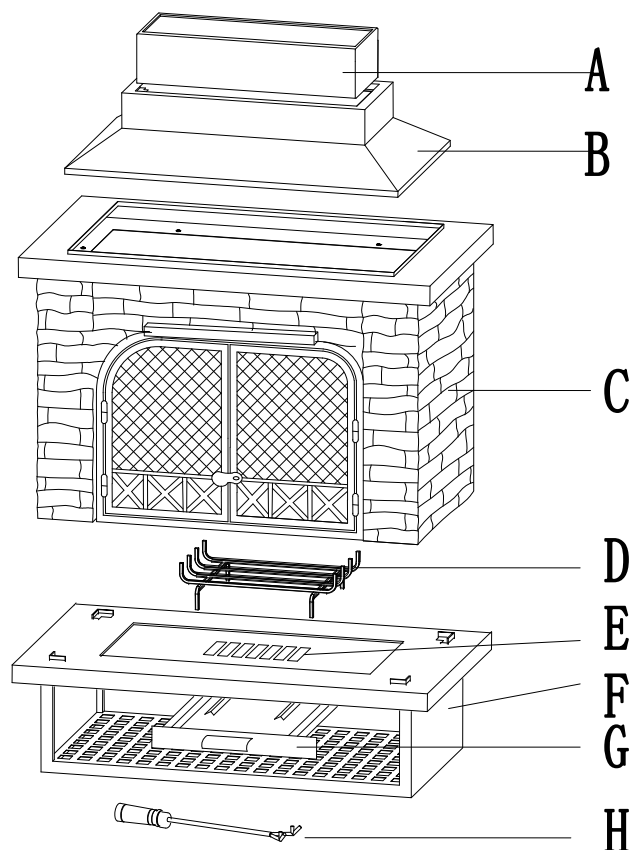


Fig. 1

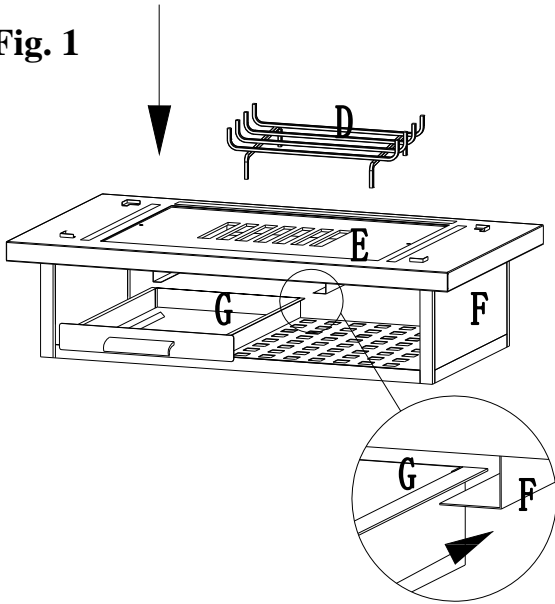


Fig. 2

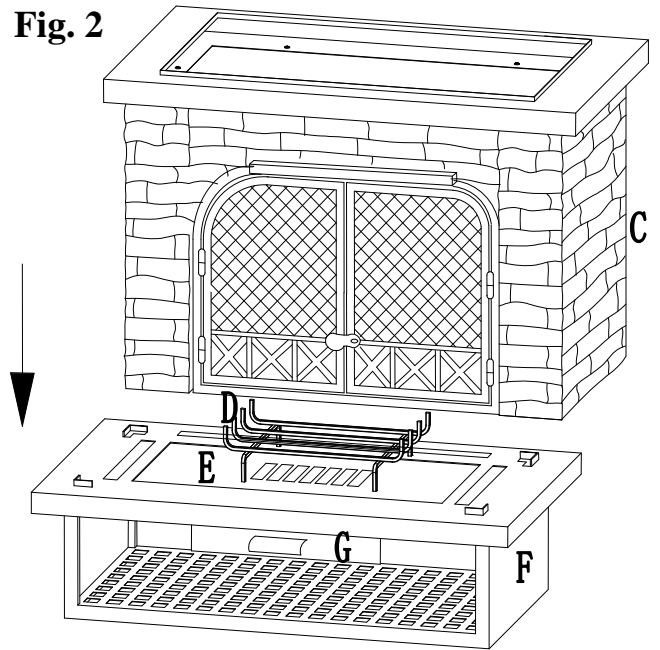


Fig.1: Insert Ash tray (G) into Base (F). Place Grate (D) onto Board (E).

Fig.2: Place Body (C) onto base (F).

Fig. 3

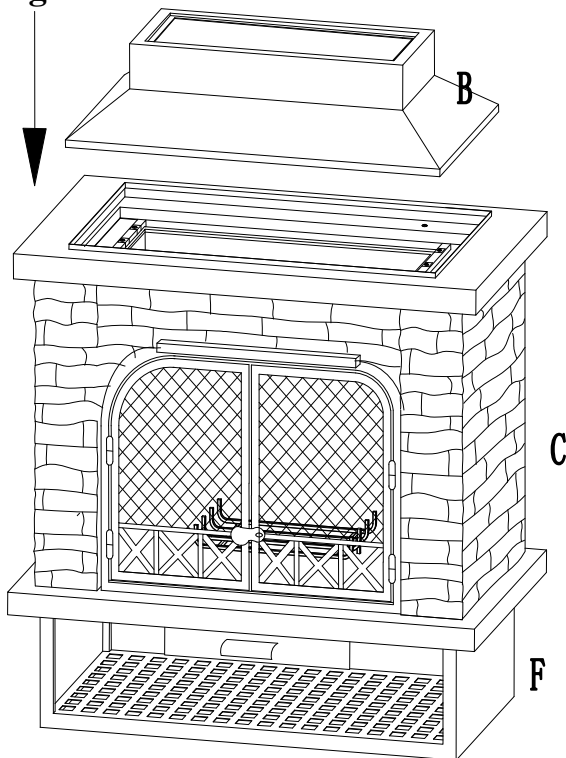


Fig. 4

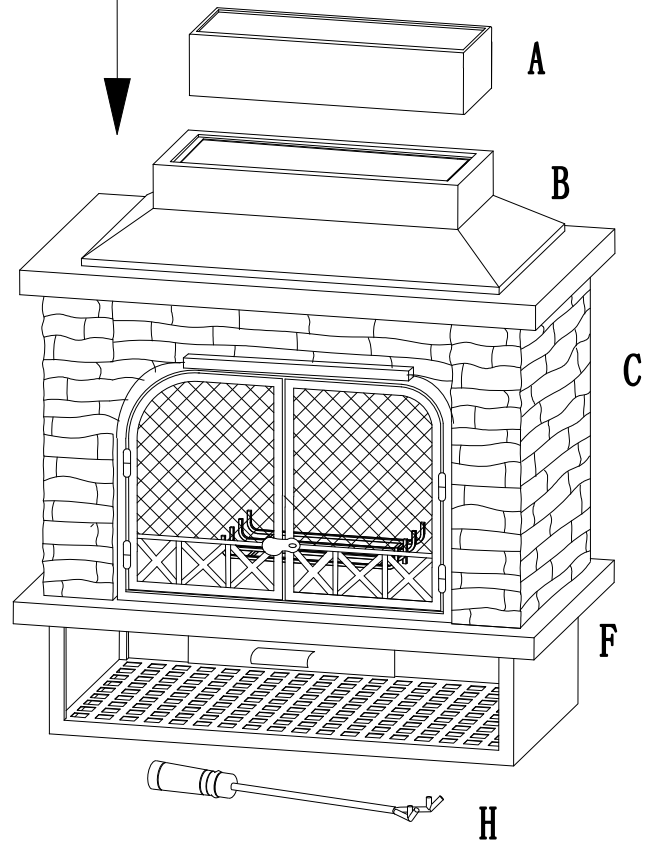


Fig.3: Place the Top (B) on the Body (C)

Fig. 4: Place Chimney (A) onto Body (B), and keep the Poker (H) nearby the fireplace.

Care & Maintenance:

Our steel components for garden accessories and furniture are treated with rust inhibiting paint that protects it from rusting. However, due to the nature of steel, surface oxidation (rusting) will occur once these protective coatings are scratched. This is not a defect and thus not covered by the warranty.

To minimize this condition, we recommend care when assembling & handling the product to prevent scratching the paint. Should any scratching or damage occur, we recommend immediate touch-up with rust inhibiting paint.

Surface rust can also be easily removed with a very light application of common cooking oil. If surface oxidation (rusting) occurs and if no measure is taken to prevent this, the oxidation may start dripping on to deck or patio and caused damaging stains, which may be difficult to remove. This can be prevented if the above-mentioned measures are taken to keep the product from oxidizing.

Limited Manufacturer's Warranty:

This limited warranty is extended to the original purchaser and applies to defects in materials and workmanship of your item provided the item is maintained with care and used only for personal, residential purposes.

The item is warranted to be free from defects in material or workmanship for a period of **one (1) year**. We don't reimburse for transportation or delivery costs, or compensate the individual or any outside party for assembling or disassembling the product.

Exclusions:

Items used for commercial, contract, or other non-residential purposes, or items damaged due to acts of nature, vandalism, misuse, or improper assembly are not covered. Corrosion or rusting of hardware is not covered. Proof of purchase (dated register receipt) is required for warranty claims. Warranty is to the original purchaser and is non-transferable. Any replacement of warranted items will be in the original style and color, or a similar style and color if the original is unavailable or has been discontinued. As some states do not allow exclusions or limitations on an implied warranty, the above exclusions and limitations may not apply. This warranty gives you specific rights, and you may also have other rights, which vary from state to state.

Made in China