



P156DVC

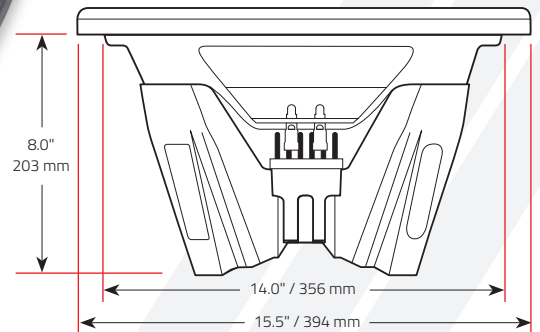
15" DUAL 4 Ω VOICE COIL SUBWOOFER



P156DVC
2500 WATTS MAX POWER



15 INCH



FEATURES

- Rubber Surround
- Polypropylene Cone
- Stamped Steel Basket

SPECIFICATIONS	POWER HANDLING (MAX)	IMPEDANCE	FREQUENCY RESPONSE (Fs)	Qts	Qes	Qms	EQUIVALENT COMPLIANCE (Vas)	SENSITIVITY @ 1W / 1m	MOUNTING DEPTH
P156DVC	2500 W	DUAL 4 Ω	38 Hz	0.82	0.91	7.84	7.41 ft ³	87 dB	8" (203 mm)