

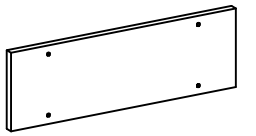
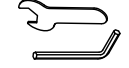

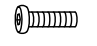

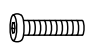


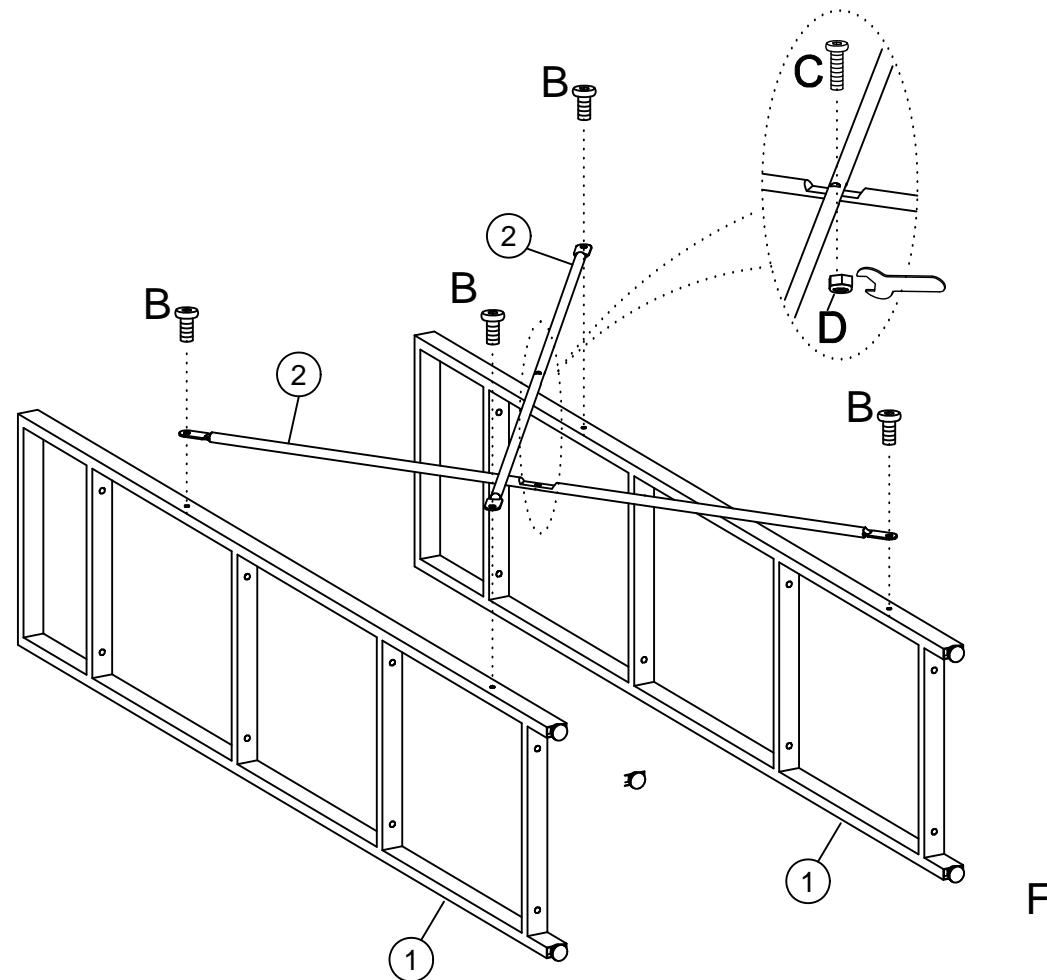
ASSEMBLY INSTRUCTIONS

HAPRDWARE		
ITEM	DESCRIPTION	QTY
1	 METAL SIDE FRAME	2PCS
2	 REINFORCE CROSSBARS	2PCS
3	 SHELF	4PCS

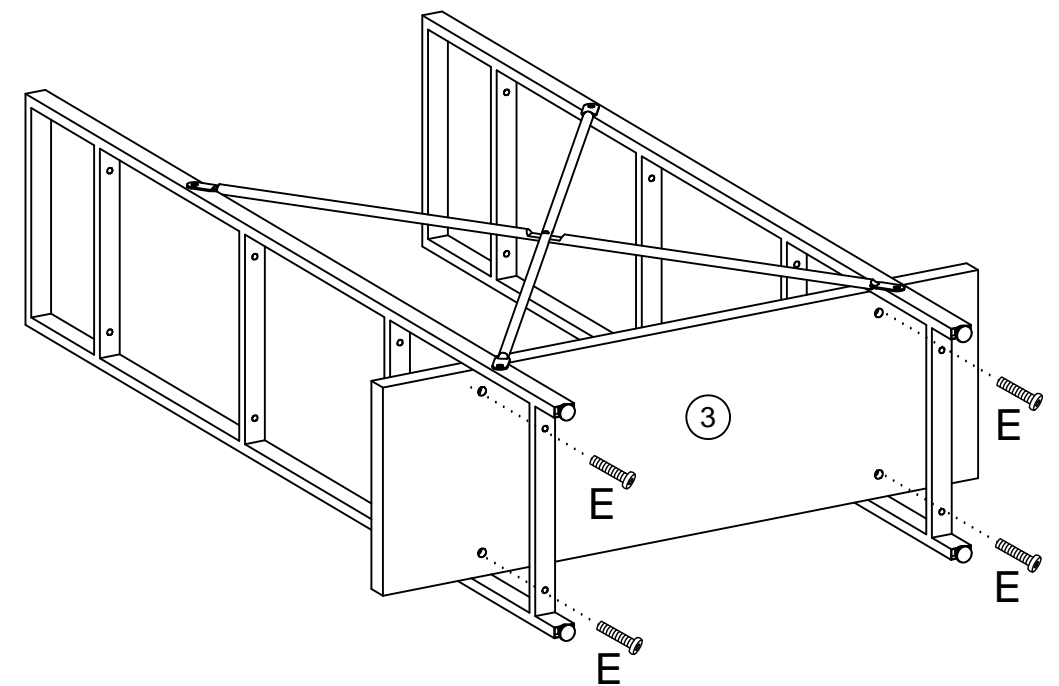
HAPRDWARE		
ITEM	DESCRIPTION	QTY
A	 WRENCH ALLEN KEY M6	1PC
B	 SCREW M6*15	4PCS
C	 BOLT M6*20	1PC
D	 NUT M6	1PC
E	 SCREW M6*25	16PCS

! Do not throw away packaging materials until assembly is complete.
! Assemble this item on a soft surface, such as cardboard or carpet, to protect finish.
! We have provided extra Screws of B/C/D/E in case of any screws missing in the boxes.

1 Step 1: Lay the Metal side frames (1) parallel to each other on a stable and smooth surface. Fasten 2 Reinforce Crossbars (2) with Bolt (C) and Nut (D). **Do not tighten fully.** Secure the Reinforce crossbars (2) on the metal side frames with Screws (B). Do not tighten fully.



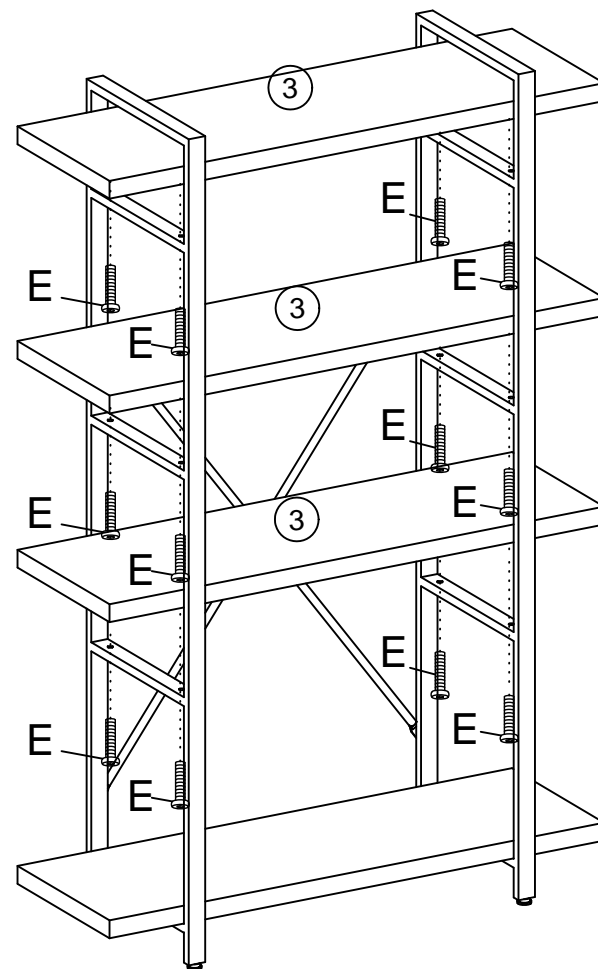
2 Step 2: Attach shelf to the Metal side frames(1) as shown. Insert Screw(E) into the assembled Metal side frames by Allen key (A). **Do not fully tighten all screws until all parts are in place.**



ASSEMBLY INSTRUCTIONS

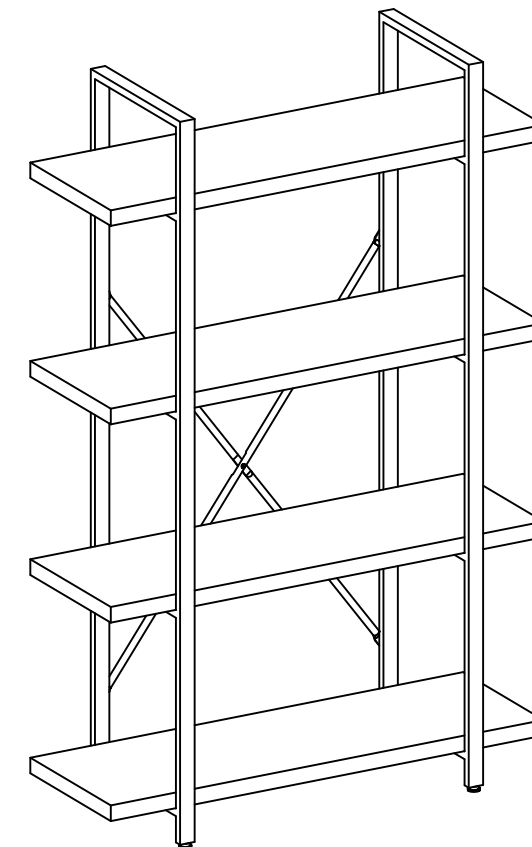
3

Step 3: Attach shelf to the Metal side frames(1) as shown. Insert Screw(E) into the assembled Metal side frames by Allen key (A). **Do not fully tighten all screws until all parts are in place.**



4

Step 4: Inspect all connections to insure there are no excess gaps between the metal and wood shelves. If there are, move the parts together to close the gaps. Finally Fully tighten all connections with allen key (A).



Cleaning & Care Instruction

Hardware may loosen overtime. Periodically check that all connections are tight. Wipe with a soft, dry cloth. To protect finish, avoid the use of chemicals and household cleaners. All hot serving dishes should be placed on a pad.