

Coat Rack Easy Assembly



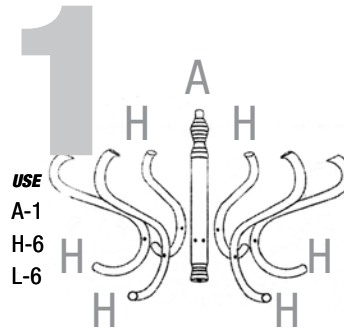
Please Note: Before product assembly, confirm no parts are missing. Tools necessary for assembly are not provided.

Parts List

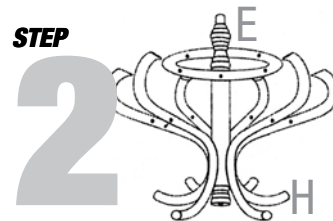
PART	PCS	Description	
A	1	Pole Top Section	
B	1	Pole Upper Mid Section	
C	1	Pole Lower Mid Section	
D	1	Pole Bottom Section	
E	1	Top Ring	
F	1	Umbrella Ring	
G	1	Bottom Ring	
H	6	Coat Hooks	
J	4	Base Supports	
K	8	Long Screws	
L	20	Short Screws	
M	4	Base Feet	

Coat Rack

STEP 1



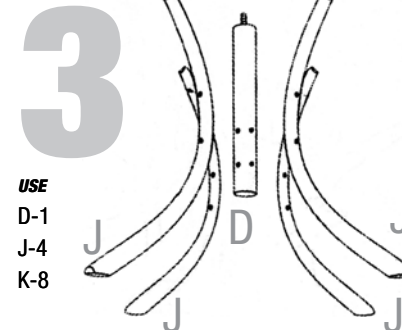
Use six short screws (L) to attach Coat Hooks (H) to pole top (A)



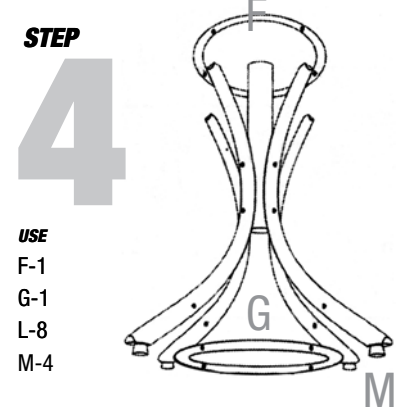
USE
E-1
L-6

Use six short screws (L) to attach Coat Hooks (H) to top ring (E)

STEP 3



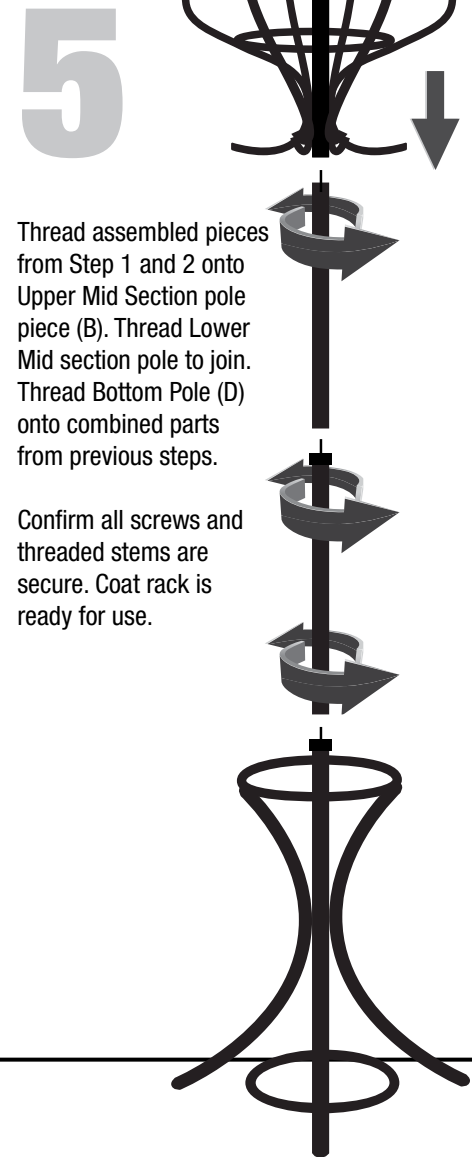
Use eight long screws (K) to attach Base Supports (J) to pole bottom (D).



USE
F-1
G-1
L-8
M-4

Use eight short screws (L) to attach Middle and Bottom Rings (F&G) to Base Supports (J). Add Base Feet (M)

STEP 5



Thread assembled pieces from Step 1 and 2 onto Upper Mid Section pole piece (B). Thread Lower Mid section pole to join. Thread Bottom Pole (D) onto combined parts from previous steps.

Confirm all screws and threaded stems are secure. Coat rack is ready for use.

WARNING: CHOKING HAZARD - Small Parts.

Not for children under 3 years.

SAFETY PRECAUTIONS:

This product may require some manual dexterity or basic mechanical ability to assemble. No warranty of any kind, either express or implied, is associated with this product. Use of the product is at the user's risk. Failure to use this product in a safe and responsible manner or any purpose other than intended could result in injury, damage to the product or other property. Children in the proximity of this product require adult supervision. It is essential to read and follow all the instructions and warnings prior to assembly to assure correct and safe use and avoid any damage or injury.