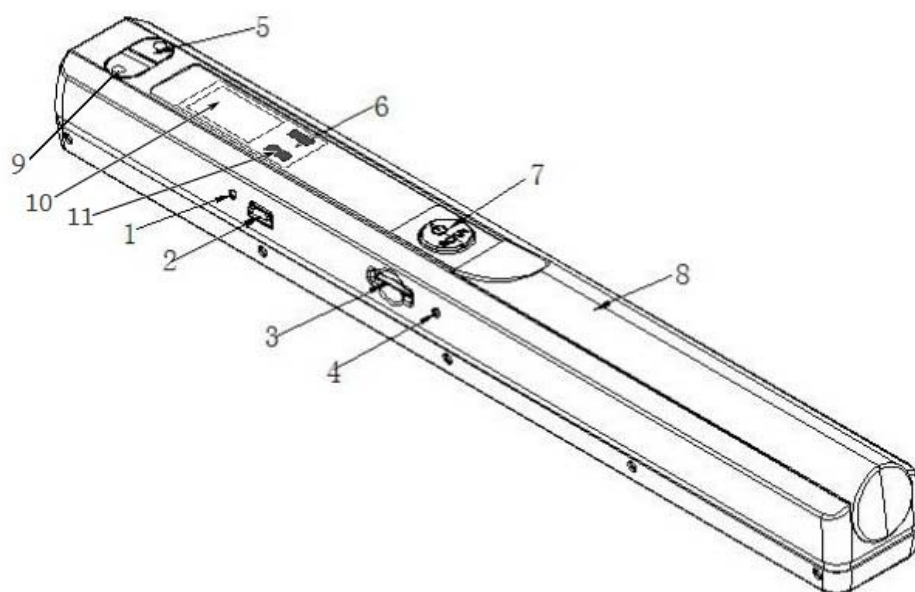


# Portable Scanner Manual



## 1. Specification

NEW and PRACTICAL----Digital Portable Scanner

Scanning resolutions:300/600/900 DPI

Supports MicroSD card of up to 32GB

2X AA batteries

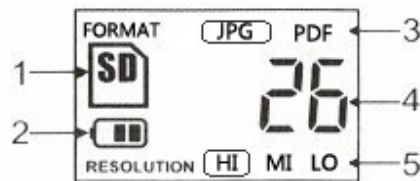
Driver free to download for MS Windows 7/Vista/XP and MacOS10.4 or above  
(direct plug-in,driver installation not required)

## 2. Component:

	<b>component</b>	<b>function</b>
1	Time set	Press this button to enter time set mode
2	USB port	Port USB 2.0 high Speed
3	SD Card	MicroSD Card storage
4	Format Button	Press this button to format Micro SD card
5	Storage formats	Choose Storage formats LCD will display JPG/PDF
6	Scanning LED indicator	Scanning ready:LED indicator light is green
7	Power/Scanning	Power on/off: hold down this button 2 seconds ,then open power or shut off the power After open the power, push down this button to scan Then press this button to stop the scanning
8	Power source	2 x AA batteries
9	Resolution	900DPI/600DPI/300DPI

		High/Mi/Low Resolution Mode Icon will display on LCD.
10	LCD	Scanning status display
11	Correct indicator LED	When over-speed: LED indicator light is red

### 3. Status Icons:



No	Function	Description
1	SD Card instructions	Photos will be stored in Micro SD card
2	Battery indicator	Power adequate; Battery low;
3	JPG/PDF Mode	JPG/PDF
4	Count index	Display the file number on Micro SD card
5	Resolution choice	High :900DPI/Mi:600DPI/Low:300DPI

### 3. How to use this scanner

#### 3.1 Open battery door

1. Open battery door
2. Put 2 AA Alkaline batteries in the battery box
3. hold down the power/scanning button 2 seconds to turn on

#### 3.2 Insert MicroSD Card

You must insert MicroSD Card to record and save images.

#### 3.3 Time Set

1. press TIME SET button to time set mode.
2. 1×× display on LCD ,pressing JPG/PDF & DPI button to adjustment
3. Press SCAN button to confirm time set.
4. Jump to next mode settings on LCD, see below:
  - 1×× Setting year
  - 2×× Setting month
  - 3×× Setting the date
  - 4×× Setting hours
  - 5×× Setting minutes
5. After set all information, press TIME SET to exit

#### 3.4 format MicroSD card

1. insert a new MicroSD card into scanner, then open the scanner.
2. Press the button of format, LCD will display "F"

3. Press power/scanning button will format MicroSD card.
4. SD card indicator will flashing till finish format MicroSD card.

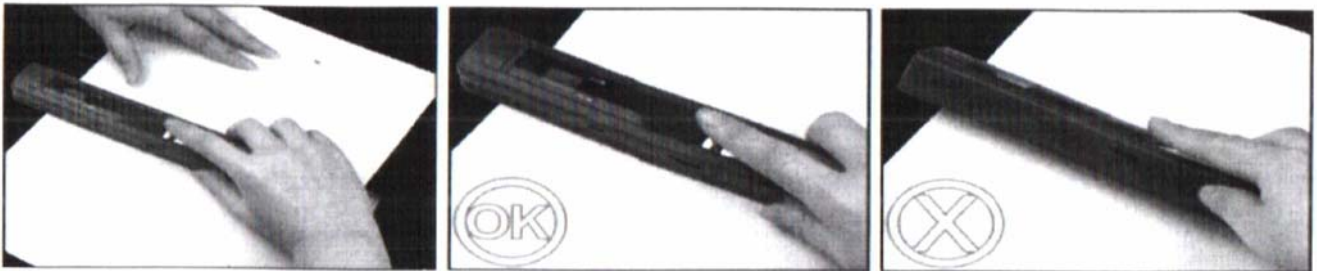
### 3.5 Set Resolution:

Press DPI button to choose High resolution/Middle resolution/Low resolution  
High resolution/Middle resolution/Low resolution icon will display on LCD.

### 3.6 Set scanning color mode

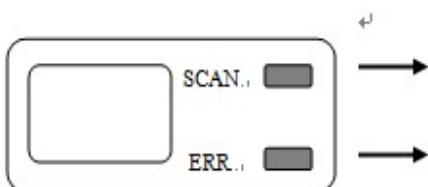
Press JPG/PDF button, choose JPG/PDF format..  
JPG/PDF mode icon will display on LCD,

### 3.7 How to scanning



Scanning by one hand,  
Putting the right position on the scanning objects.  
Hold the scanner, and press the SCAN to scanning.  
Moving slowly, the scanner and your hand must remain stable to gain the image of high quality.  
Press power/scanning to stop scanning.

## 4. LED light instructions



- “green” Lamp on----- scanning
- “green” Lamp off-----finish scanning
- “red” Lamp on-----scanning to quickly  
Restart, scanning again
- “red” Lamp off-----scanning normal  
Continue to the scanning process

## 5. Specification

Product Size(LxWxH)	255mmX28mmX25mm
Product Weight(g)	145g without battery; 190g with battery;
Function	Portable Scanner
Image Sensor	A4 Color Contact Image Sensor
Number of sensor elements	5136 dots(1st~5104 dots available) ;

Scanner photo size	A4
Scanning speed	A4 Size: High resolution with color ≥10S Medium resolution with color ≥8S Low resolution with color ≥3S
Scan width	8.27"
Scan length (The length of scans varies depending on the content complexity)	High resolution:35" Medium resolution:45" Low resolution:98"
Capacity (Based on 2GB microSD card.Scan A4 size file, the quantity of scans varies depending on the content complexity)	900 DPI color: 300pcs/JPG or PDF (Min.)
	600 DPI color: 400pcs/JPG or PDF (Min.)
	300 DPI color: 1500pcs/JPG or PDF (Min.)
Image Resolution	Low resolution : 300x300 dpi(default)
	Medium resolution: 600x600 dpi;
	High resolution: 900x900 dpi;
Internal flash memory	SPI Flash
External memory card	Micro SD card (TF Card) up to 32 GB
File format	JPG(default)/PDF
Display Panel	Status TN
Auto Power Off	3Minute
USB Port	USB 2.0 high Speed
Support system	Driver free to download for Windows XP/Vista,7 and MAC10.4 or above
Power source	2XAA battery
Battery life	≥200 piece (A4 paper default:Low resolution with color)

## 6. Minimum requirement of PC system

Operation System	Windows XP/Vista, 7
	MAC10.4 or above
CPU	Pentium III or above
RAM	At least 256MB

Interface	USB port
CD ROM	4x speed CD ROM or above

## 7. Troubleshooting

Problem	Reason	Solution
The scanner power off	1.Low battery 2.Not install correctly	1.Replace or install new batteries 2.According to the correct method, install batteries
Picture can't be saved after scanning	1.Micro SD card not installed 2.Micro SD card is full 3.MicroSD card not formatted correctly	1.Correct install MicroSD card. 2.Download the storage images to PC to release the storage space. 3.Please reading section 3.4
After connect with PC can't identify scanner(can't find removable disk)	Fail Connection	Make sure all of the cable link is correct. Or power on PC
Short battery life	Using the wrong model of battery	Change new 2 x AA alkaline batteries
Image fuzzy	Dirty of scanner lens	Use soft and dry cloth to clean lens.
LCD screen unusual	Scanning too fast	Press power/scanning button,then scanning again.