

## WM-NLC Series

### Lead-Free Water Meter



The WM-NLC Series meter is a multijet dry-type totalizing water meter available in sizes from 1/2" to 2". It is produced in an ISO9001 certified production facility and is constructed in conformance with AWWA C708 standards. The product complies with NSF/ANSI 61 Annex G and conforms with lead-free plumbing as defined by California, Vermont, Maryland and Louisiana state laws and the U.S. Safe Drinking Water Act that took effect January, 2014. It is an ideal choice for a range of municipal and industrial water metering applications.

Water flows through the meter's strainer (inlet and internal) and into the measuring chamber where it drives the impeller. A driving magnet transmits the movement of the impeller to a driven magnet located within the sealed register. The magnet is connected to a gear train which translates the impeller rotations into volume totalizers displayed on the meter's register dial face.

The WM-NLC Series water meter is top loaded and consists of three basic components: main case, measuring chamber, and head ring. The main cases of all sizes are constructed using C87850 low-lead brass alloy.

#### FEATURES

- All parts in contact with water are constructed of corrosion-resistant materials.
- Body and coupling are made with low-lead brass alloy C87850 and meets potable water standards.
- Impeller is the only moving part in contact with water, giving the meter long life and consistently reliable operation.
- Extra filter at the inlet of the meter body permits cleaning without having to open the meter.
- Dial plate design in US Gallons.
- Optional check valve to avoid reverse flow (lead-free).
- Optional pulse output consisting of plastic housing with 2-wire (red and black) reed switch and cable.

#### PRESSURE RANGE

Up to 150 PSI.

#### TEMPERATURE RANGE

Up to 122°F.

#### SPECIFICATIONS

##### Maximum Reading:

050, 075 & 100: 9,999,999.99

150 & 200: 9,999,999.9

##### Accuracy:

Normal flow:  $\pm 1.5\%$

Low flow:  $\pm 3\%$

#### MATERIALS OF CONSTRUCTION

##### Body and Couplings:

EcoBrass

##### Internals:

Engineered thermoplastic

##### Magnet:

Alnico

#### OPTIONAL PULSE OUTPUT SPECIFICATIONS

##### Sensor:

Reed switch

##### Pulse Rates:

050, 075 & 100: 1 pulse/1 gal.

150 & 200: 1 pulse/10 gal.

##### Maximum Current:

10 mA

##### Maximum Voltage:

24 VAC/VDC

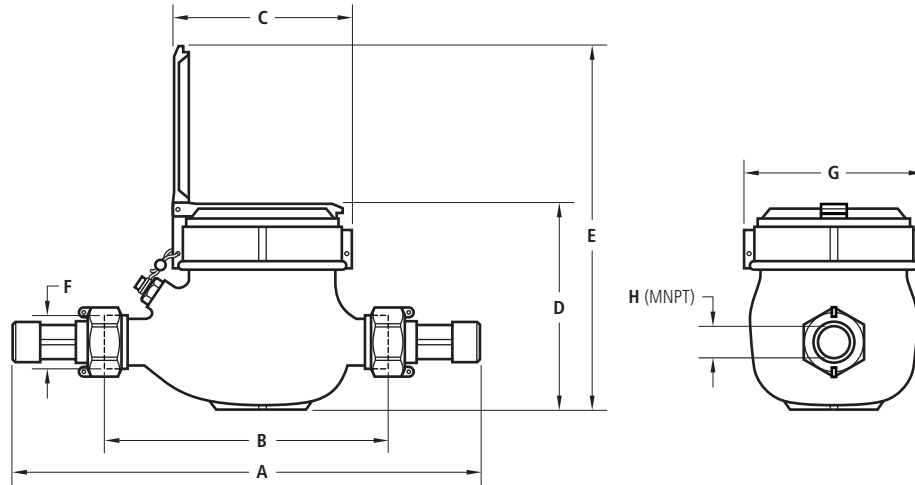
##### Cable Length:

5' standard,

2000' maximum run

# WM-NLC Series

Lead-free water meter  
(1/2" to 2" end connections)

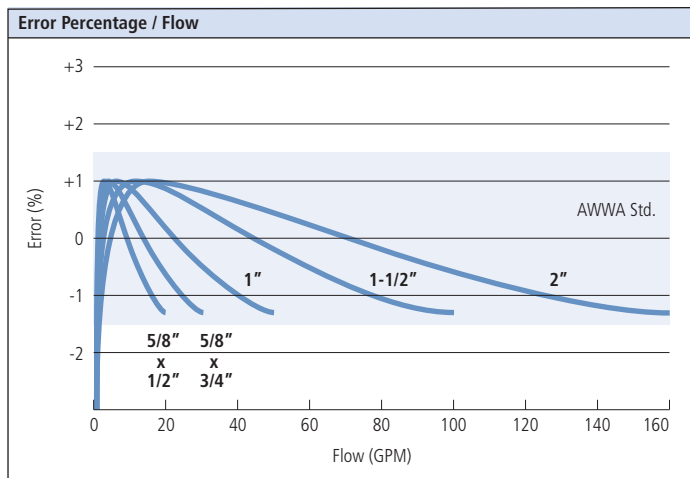


## DIMENSIONS, WEIGHTS & SPECIFICATIONS

Size	A	B	C	D	E	F	G	H (MNPT)	Flow Rate (GPM)			Normal Flow (GPM)	Wt. (lbs.)	Model No.
									High	Continuous	Low			
5/8" x 1/2"	10.20	7.5	3.7	4.3	7.6	0.75	3.7	0.50	20	10	0.25	1-20	3.75	WM-NLC-050
5/8" x 3/4"	11.57	7.5	3.7	4.3	7.6	1.00	3.7	0.75	20	10	0.25	1-20	4.25	WM-NLC-075
1"	15.20	10.3	3.9	4.7	8.2	1.25	3.9	1.00	50	25	0.75	3-50	6.50	WM-NLC-100
1-1/2"	17.00	11.9	4.9	5.6	10.1	2.00	4.9	1.50	100	50	1.50	5-100	8.25	WM-NLC-150
2"	17.00	11.9	4.9	5.6	10.1	2.50	4.9	2.00	160	80	2.00	8-160	13.75	WM-NLC-200

A = total length including connection and gasket without compression.

## ACCURACY CURVES



## HEAD LOSS CURVES

