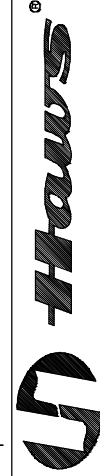
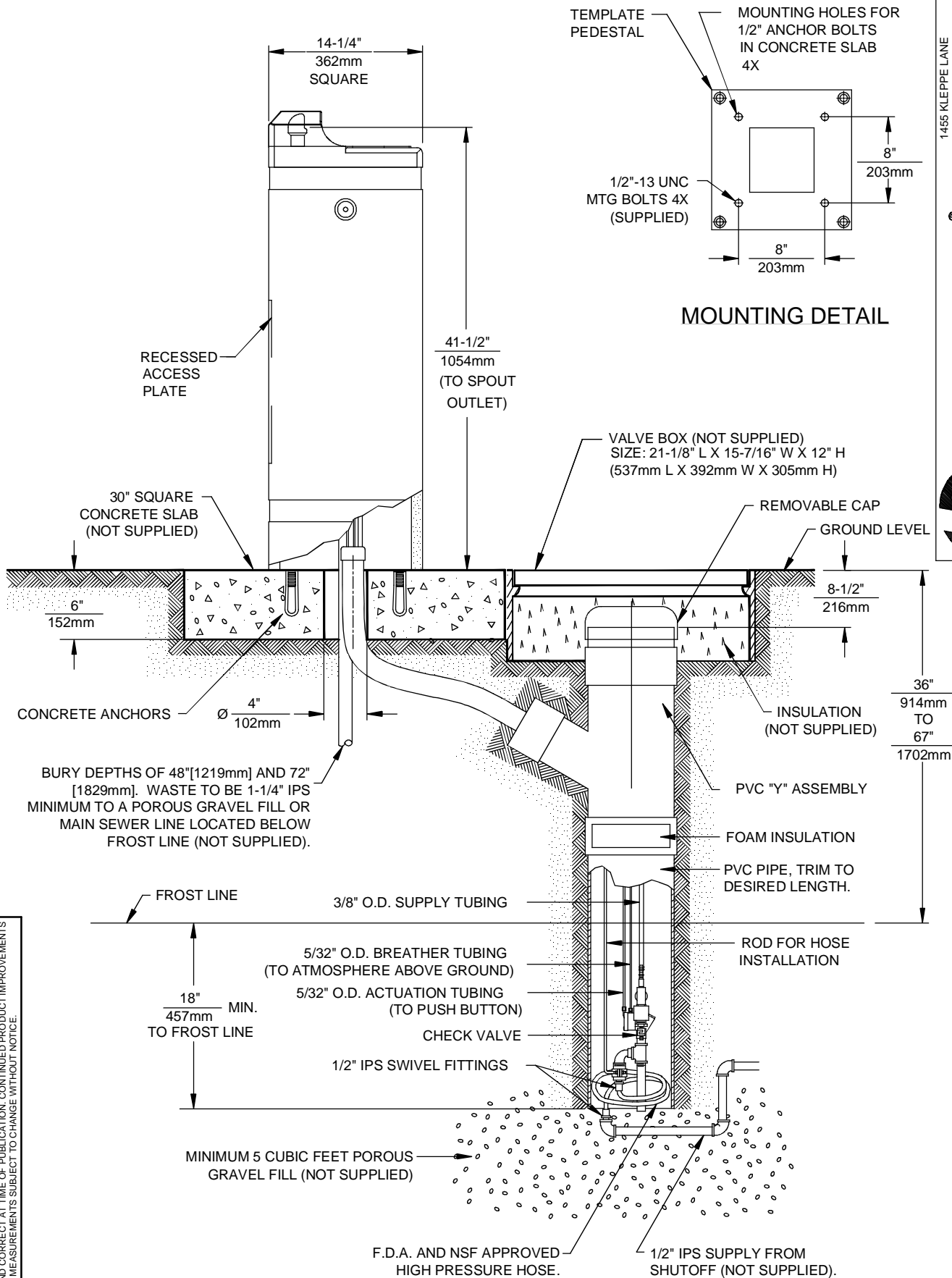


THIS DOCUMENT IS TRUE AND CORRECT AT TIME OF PUBLICATION. CONTINUED PRODUCT IMPROVEMENTS MAKE SPECIFICATIONS AND MEASUREMENTS SUBJECT TO CHANGE WITHOUT NOTICE.



1455 KLEPPE LANE
 SPARKS, NEVADA 89431
 (775) 359-4712 FAX (775) 359-7424
 E-MAIL: HAWS@HAWS.CO.COM
 WEBSITE: WWW.HAWS.CO.COM

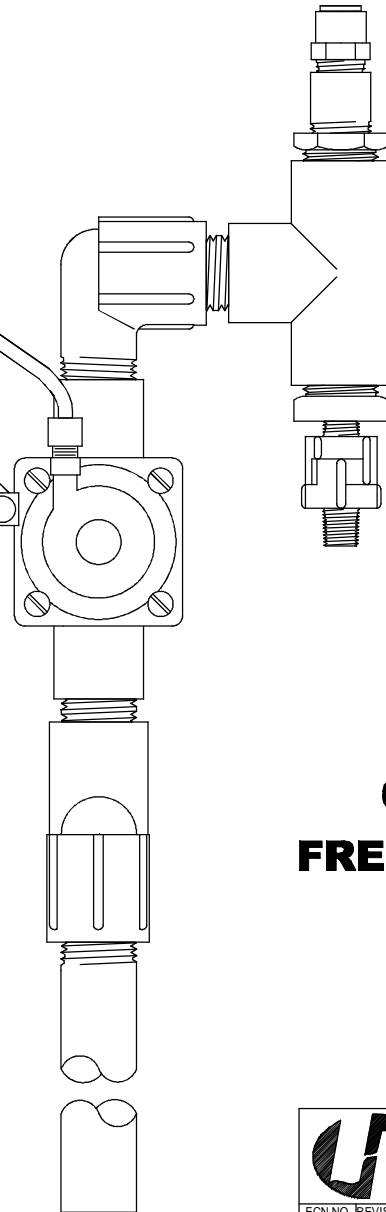
ECN NO. REVISED BY:	HM	CHKD.:	
DRAWN:	ECN: 4630	DATE:	07/12
CUC:		DATE:	
APPROVED:		DATE:	
MODEL(S)		3121FR	
PART NUMBER		0002077064.D	
DRAWING NO.		10386C00	9
SCALE:		1:1	
DRAWING TYPE:		INSTALLATION	
SIZE:		A	
SHEET		1	OF 2

**WITH 6518FR
 VALVE ASSEMBLY**
 SEE SHEET 2 OF 2 FOR DETAILS

©2013 Haws Corporation - All Rights Reserved. HAWS® and other trademarks used in these materials are the exclusive property of Haws Corporation.

ACTUATION TUBING
(TO PUSH BUTTON)

BREATHER TUBING
(TO ATMOSPHERE
ABOVE GROUND)



**6518FR
FREEZE VALVE
DETAIL**



1455 KLEPPE LANE
SPARKS, NEVADA 89431
(775) 359-4712 FAX (755) 359-7424
E-MAIL: HAWS@HAWSO.COM
WEBSITE: WWW.HAWSO.COM

ECN NO. REVISED PER BY:	ECN: 4830	HM	MODEL(S)	PART NUMBER
DRAWN:	DATE:	CHKD.:	3121FR	0002077064.D
HM	02/13/06			DRAWING NO. REV
APPROVED:	DATE:		SCALE: 1:1	10386C00 9
			DRAWING TYPE: INSTALLATION	SHEET 2 OF 2