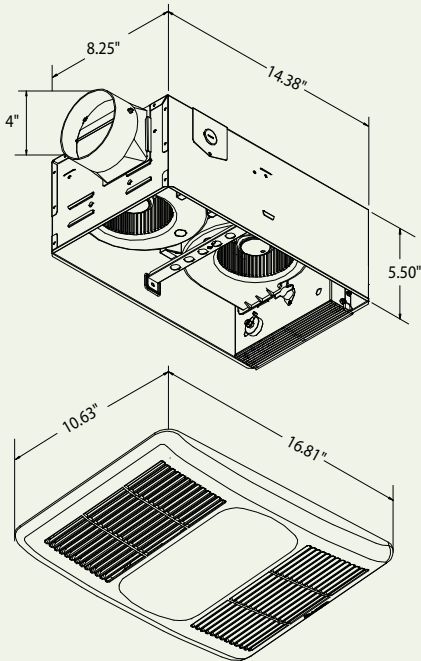




# Delta BreezRadiance Ventilation Fan/Light with Heater Specifications

**RAD80L**  
(80 CFM)

## Dimensions



## Description

Low noise ceiling mount ventilating fan, light, and heat. cUL listed and Home Ventilating Institute (HVI) certified.

## Motor/Blower

- Power rating of 120 volts/60Hz
- DC brushless motor engineered to run continuously
- Motor equipped with thermal cutoff fuse
- Removable with permanently lubricated plug-in motor

## Housing

- Galvanized steel body
- Detachable 4" diameter plastic duct adapter
- Built-in backdraft damper
- Easy installation

## Grille

- Attractive design using PBT material

## Light

- (1) GU24 26-watt CFL (compact fluorescent lamp) included
- Main light output 1850 Lumens, 2700K

## Heater

- 1300W heating element conforms to cUL safety standards
- Heater module equipped with thermal cutoff fuse and thermostat

## Warranty

- 3-year limited warranty

## Features

- Built-in thermostat to regulate temperature
- Metal guard to prevent user contact with heating wire
- For ceiling mount only, airflow of 80 CFM ( $\pm 10\%$ ) and 1.5 Sones at 0.1 static pressure
- Power consumption approximately 10.5 Watts with an efficiency rating approximately 7.6 CFM/Watt
- Heater module equipped with thermal cut off and thermal stat
- Duct diameter no less than 4"

## DC Motor Technology

- Built-in soft start function to increase bearings' life
- Automatically powers OFF when the impeller is locked abnormally

## Specifications

RAD80L	4" Duct (Standard)	
Static Pressure (inches w.g.)	0.1	0.25
Air Flow (CFM)	80	54
Sones	1.5	NA
Power Consumption (Watts)	10.5	8.2
Energy Efficiency (CFM/Watt)	7.6	6.6
Current (Amps)	12	
Power Rating (V/Hz)	120 / 60	
Heating element (Watts)	1300	
Lamp (Watts)	26	
Total power (Watts)	1340	

