



CONCORD HEAD RAIL



ASSEMBLY INSTRUCTIONS

Before assembling your Platform head rail, please read through these instructions carefully. Familiarize yourself with the different parts.

ATTENTION! If you receive a damaged or defective item, please contact Atlantic Furniture at service@atlanticfurniture.com 1-800-955-3726 / M-F 9:00-5:00 EST

PARTS LIST

- 1 MID RAIL 1 PC**
- 2 TALL LEG 2 PCS**
- 3 SHORT LEG 2 PCS**

Instructions apply for all sizes of bed
> Twin > Full > Queen > King

HARDWARE

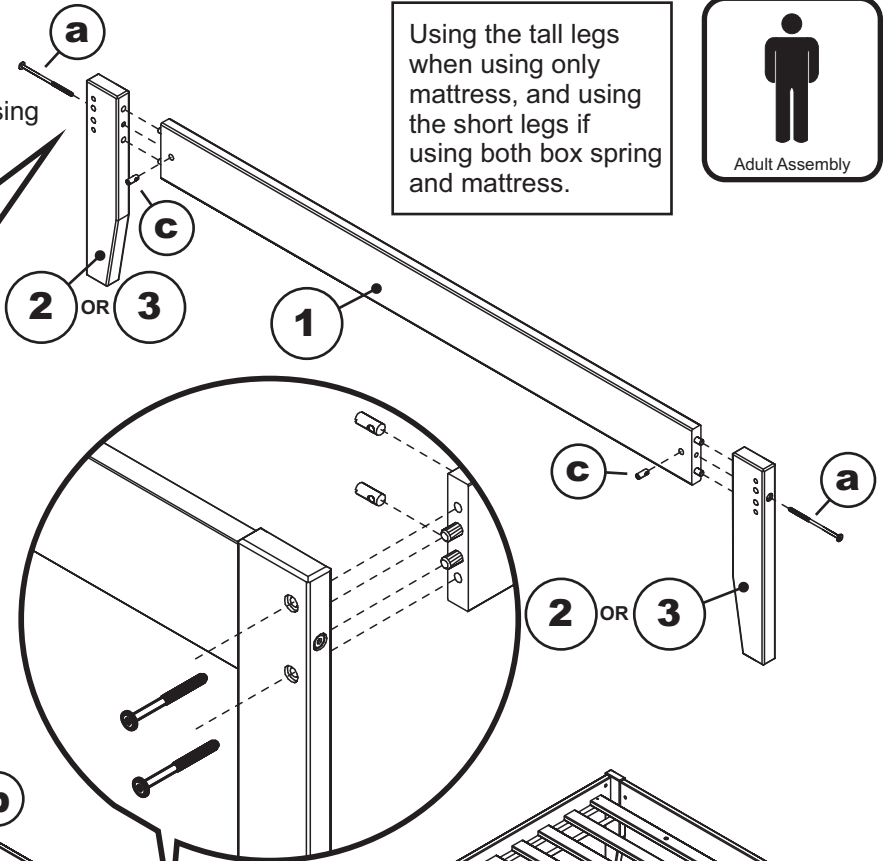
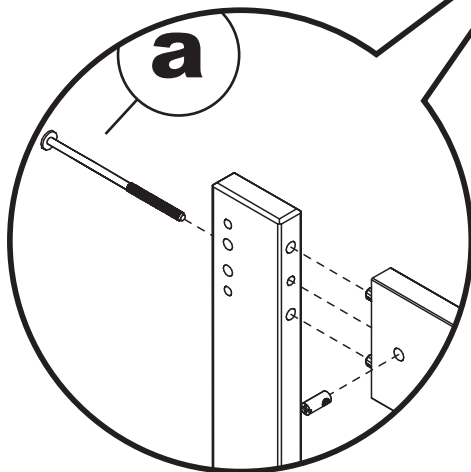
- a** JCB M6 X 120mm(4 3/4") - 2 pcs
Spare - 1 pc
- b** JCB M6 X 70mm(2 3/4") - 4 pcs
Spare - 1 pc
- c** Barrel Nut - 6 pcs
Spare - 2 pcs
- d** Allen Wrench - 1pc
Spare - 1pc

NOTE: WE INCLUDE SPARE HARDWARE IN CASE THE ALLEN WRENCH, JCB, OR BARREL NUT ARE DAMAGED DURING ASSEMBLY.

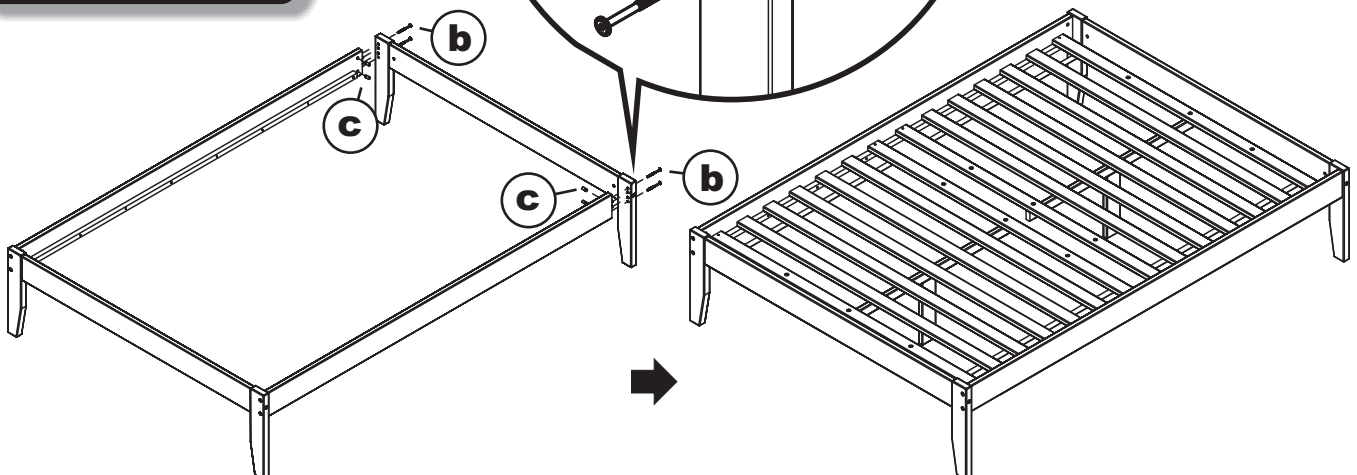
Step 1

Attach the legs (2)or(3) to mid rail (1), using JCB M6 X 120mm (a) and barrel nut (c). Tighten with the Allen wrench (d).

Using the tall legs when using only mattress, and using the short legs if using both box spring and mattress.



Step 2



Attach bed frame assemblies to the head rail assemblies, using JCB M6 X 70mm (b) and barrel nut (c) as shown. Tighten with allen wrench (d). For Slat kit assembly, follow assembly instructions included with slat kit.