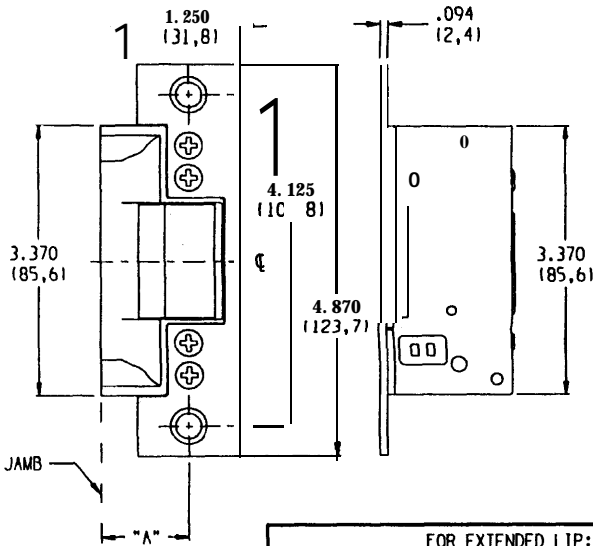
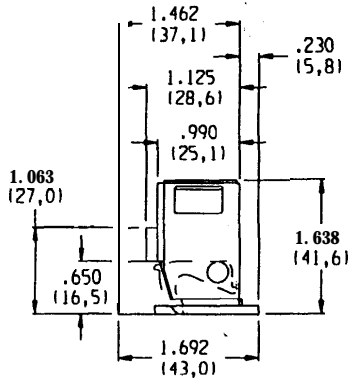


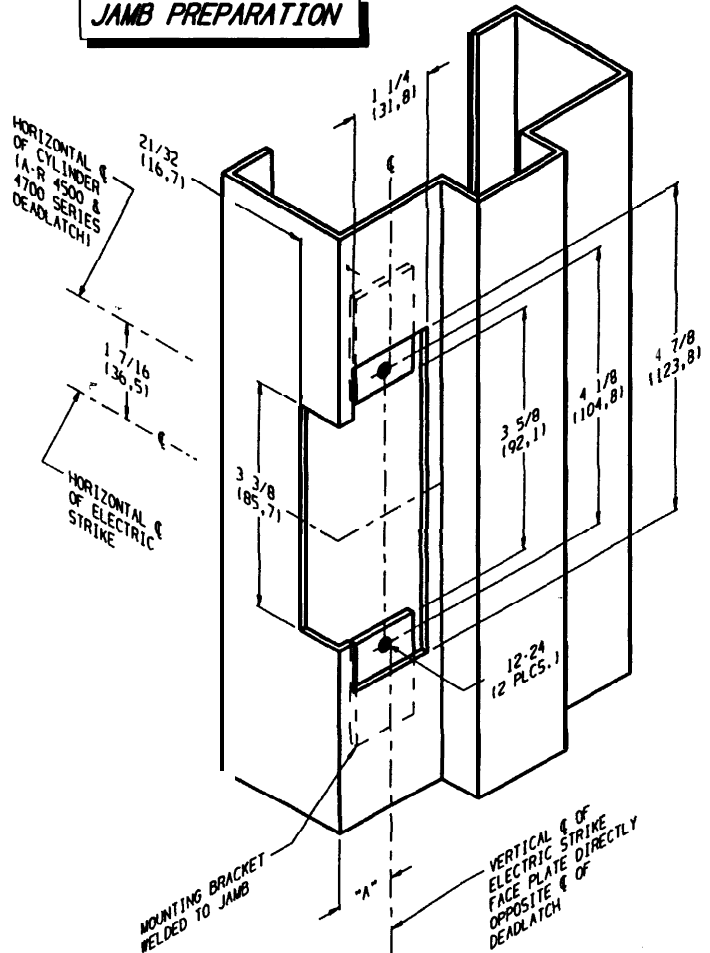
## ELECTRIC STRIKE DIMENSIONS



STANDARD UNIT FITS DIM "A"  
UP TO 1 1/16" (SEE DASH NO.)

FOR EXTENDED LIP: (DIM "A" DOOR C TO JAMB EDGE)					
DASH NO.	DIM "A"	DASH NO.	DIM "A"	DASH NO.	DIM "A"
NONE	1.06	-05	2.00	-10	2.63
-01	1.50	-06	2.13	-11	2.75
-02	1.63	-07	2.25	-12	2.88
-03	1.75	-08	2.38	-13	3.00
-04	1.88	-09	2.50		

## JAMB PREPARATION



NOTE: WHEN DOOR SILENCERS  
ARE USED ON FRAME,  
ADJUST STRIKE  
LOCATION TO ENSURE  
COMMON LATCH AND  
STRIKE CENTERLINES.

# INSTALLATION INSTRUCTIONS

1. PREPARE DOOR JAMB PER DRAWING.

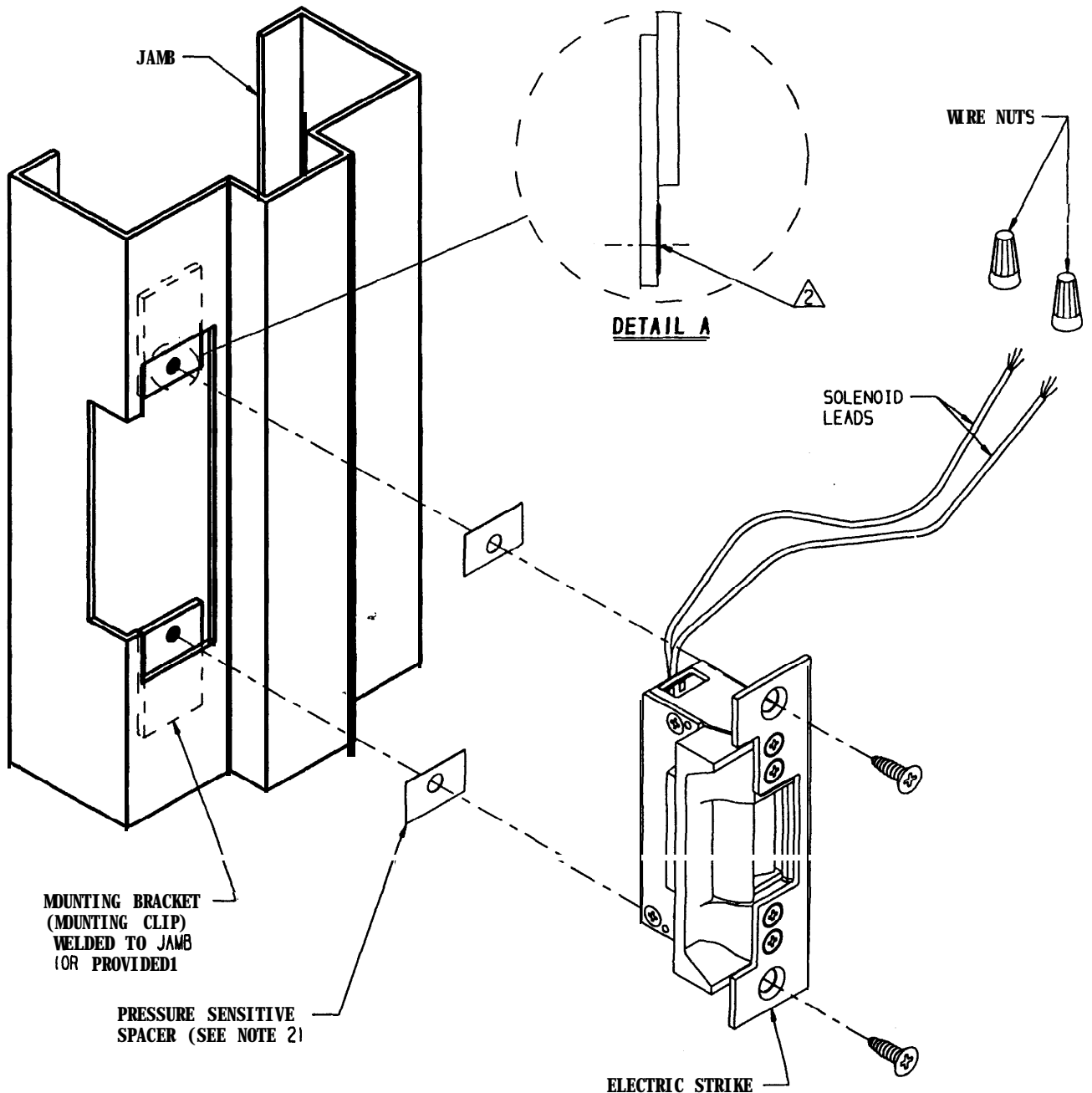
⚠ SPACERS ARE PROVIDED TO ASSURE FLUSH FINAL ASSEMBLY OF FACE PLATE a JAMB. WHEN THE FACE PLATE SETS INSIDE THE JAMB, SPACERS MUST BE ADDED BETWEEN THE MOUNTING CLIP & THE ELECTRIC STRIKE FACE PLATE. SEE DETAIL "A" TO ATTACH SPACER TO MOUNTING CLIP. REMOVE PROTECTIVE COATING FROM SPACER a PRESS TO DESIRED MOUNTING CLIP SURFACE. MAKE SURE CLEARANCE HOLE IN SPACER ALIGNS WITH HOLE IN MOUNTING CLIP.

3. ATTACH SUBCOVER AND FACE PLATE TO THE CASE ASSEMBLY USING FOUR 8-32 X 1/4 SCREWS.

4. USING WIRE NUTS PROVIDED, CONNECT WIRES COMING FROM THE STRIKE TO THE WIRES COMING FROM THE LOW VOLTAGE SIDE OF THE TRANSFORMER.

5. INSERT ELECTRIC STRIKE INTO JAMB AND ATTACH TO THE CLIPS USING TWO #12 COMBINATION SCREWS.

STATIC STRENGTH	DYNAMIC STRENGTH	ENDURANCE
1500 lbs.	70-foot-pound-force	250,000 cycles



## Notes:

**Fail-Secure Operation** - Unlocks when energized. If power fails the strike remains in a locked condition.

**Fail-Safe Operation** - Locks when energized. Used in applications requiring automatic unlocking in case of power failure.

Available Voltages: 12V AC Intermittent duty, 12V AC/DC Continuous duty,  
16V AC Intermittent duty, 16V AC/DC Continuous duty,  
24V AC Intermittent duty, 24V AC/DC Continuous duty.

### **Warning !**

AC Intermittent duty solenoids are designed to be energized 30 seconds at a time. Energizing for longer periods will damage the solenoid.

AC Continuous duty strikes are supplied with a A/R # 4603<sup>5</sup> rectifier attached to the solenoid leads. These are silent operation strikes - without the "buzzing" sound. They use a DC solenoid with an externally attached, full-wave bridge rectifier.

## Wiring

The number of wires will vary depending on features of the strike.

The voltage and amperage ratings are marked on all strike labels. The solenoid wires are not polarized,

## Monitoring (Optional)

Monitored strikes contain two, internally mounted, switches: one is activated by the latch bolt's penetration of the strike and the other indicates that the strike Jaw is either locked or unlocked by the solenoid.

All unused leads from monitor switches should be insulated.

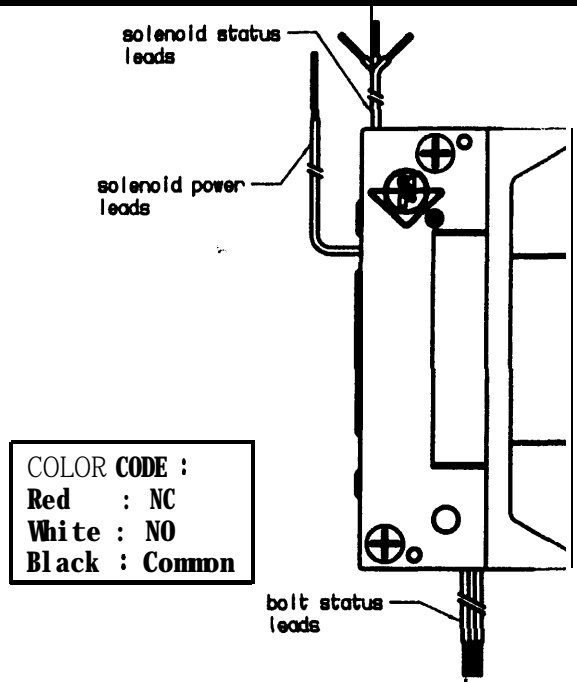
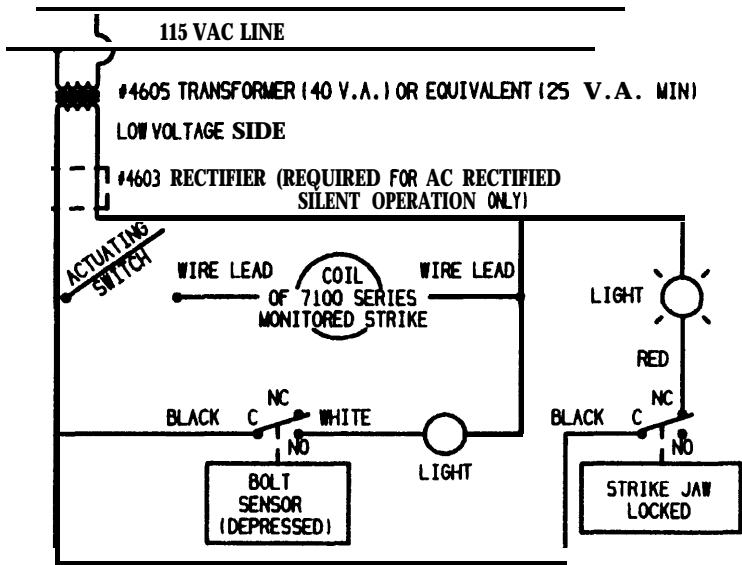
Common contact - Black  
Normally open contact (NO) - White  
Normally closed contact (NC) - Red  
Maximum switching current - 7 Amps @ 250 VAC

### **Warning !**

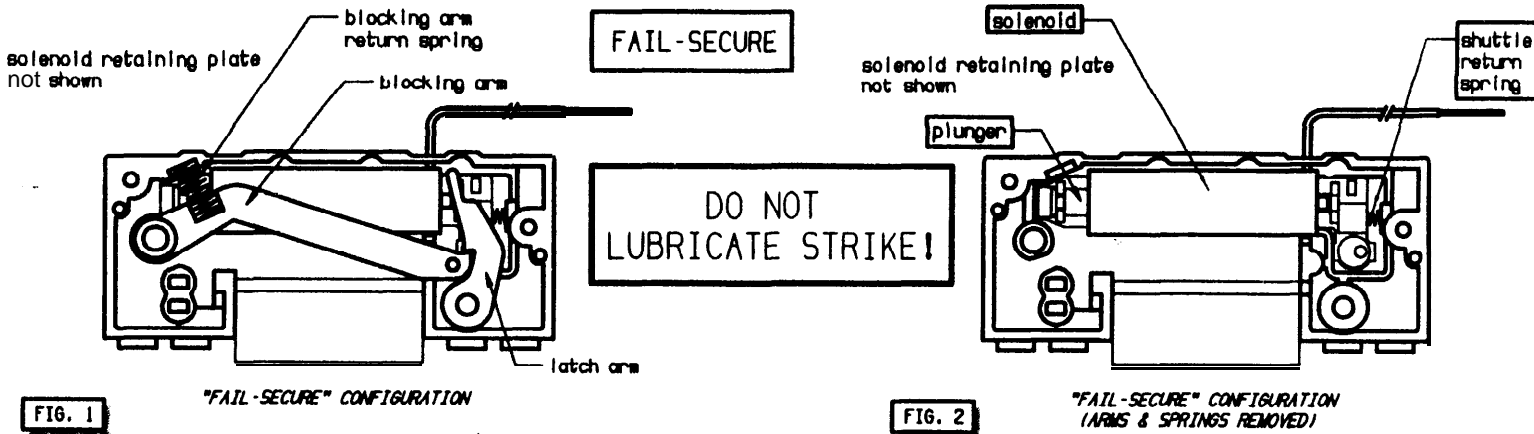
Intermittent duty solenoids should not be converted to fail-safe configuration. Fail-safe units use only continuous duty solenoids.

## Solenoid Data

24 VDC CONT.	WHITE	141.6	.170	.170	4.09	4.09
16 VDC CONT.	GREEN	61.8	.222	.222	3.05	3.05
12 VDC CONT.	RED	34.6	.332	.332	3.81	3.81
24 VAC INT.	RED	34.6	.744	.431	19.15	6.43
16 VAC INT.	BLUE	16.3	1.030	.636	17.30	6.60
12 VAC INT.	YELLOW	8.8	1.420	.813	17.74	5.82
DESCRIPTION	WIRE COLOR	COIL RESISTANCE (OHMS ±5%)	PEAK INSTANTANEOUS CURRENT (AMPS)	CONTINUOUS OR HOLD CURRENT (AMPS)	PEAK INSTANTANEOUS POWER (WATTS)	CONTINUOUS OR HOLD POWER (WATTS)



**FIELD REVERSIBLE (FAIL-SECURE)**



**FIELD REVERSIBLE (FAIL-SAFE)**

