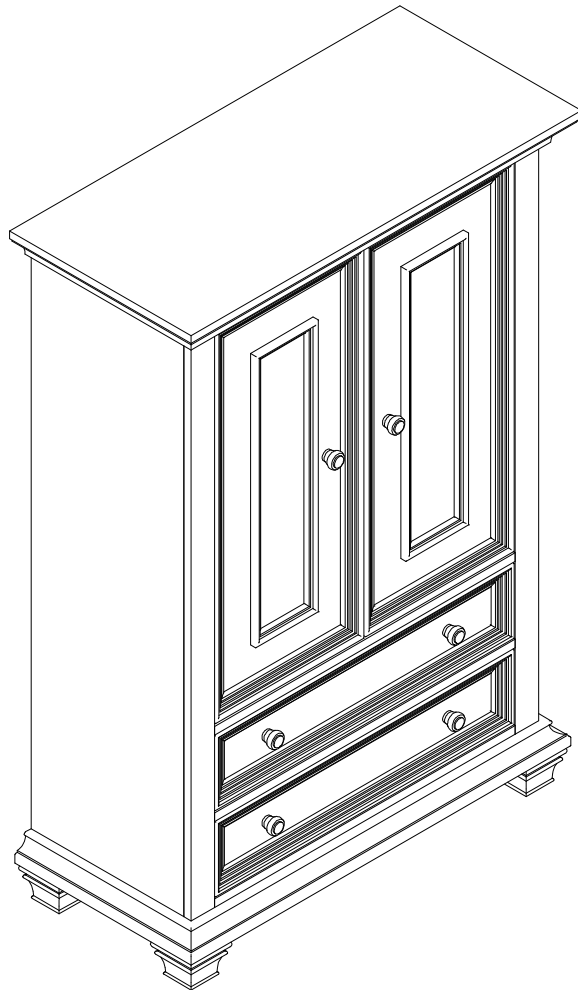


ASSEMBLY INSTRUCTIONS

WESTPORT ARMOIRE

Model # 19085



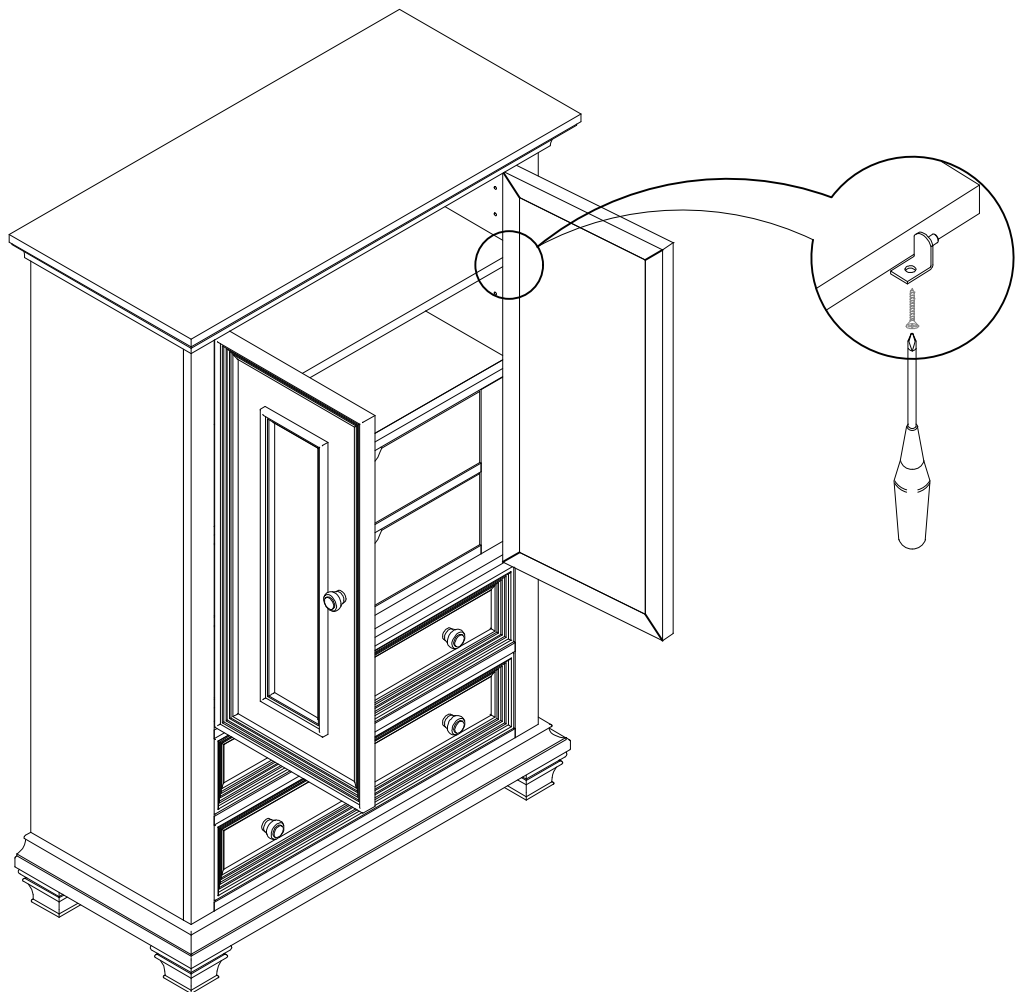
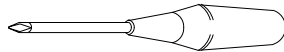
oxford[™]
BABY

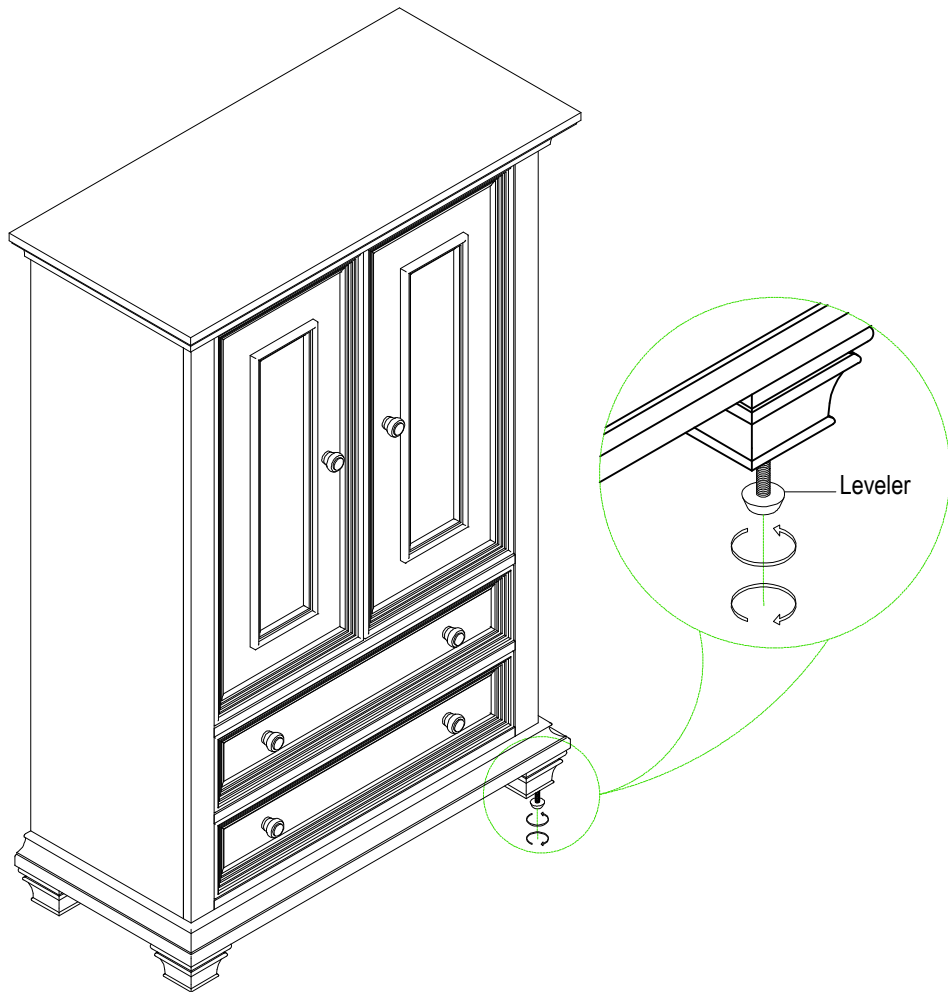
Thank you for your purchase!

The product is ready for use after removing all packing material. If you want to move the shelves up or down follow these steps:

1. Before removing the shelves, unscrew and remove the screws, which are attached to the shelf pegs underneath the shelves, with a screw driver.
2. Determine the desired height for the shelves using the corresponding pre-drilled holes located on the inside of the cabinet.
3. Insert the shelf pegs into the pre-drilled holes until fully secure. Place the shelves onto the shelf pegs, making sure the shelf is stable. Reinsert and tighten the screws back into the shelves by inserting the screw through the pre-drilled hole of the shelf peg and into the shelf. See illustration.

TOOLS REQUIRED: SCREW DRIVER (Not Included)





Note: This armoire comes with pre-attached levelers underneath the 2 front legs. Adjust the levelers if the door is uneven.