



**Sonic Alert**  
*America's Leader in Visual Alerting Systems.*

## Sonic Boom Alarm Clock & Bed Shaker

### Model SBJ525SS-v3

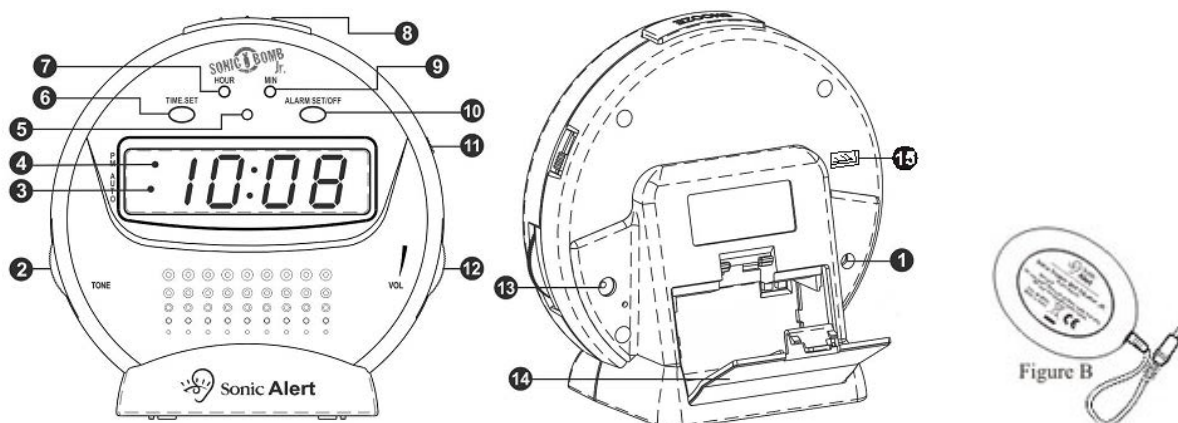


### OPERATION INSTRUCTIONS

- IMPORTANT** – Please read these instructions carefully before use and retain for future reference. See operating instructions on back.
- Use only the supplied or recommended Sonic Alert adaptor to connect the unit.

- Warning:** To prevent fire or shock hazard do not expose this appliance to rain or moisture. Before connecting to mains/ power make sure that the requirements specified on the apparatus corresponds to the available power supply in that country i.e. AC100-240V~, 56/60 Hz.
- The ventilation should not be impeded by covering the ventilation openings with items such as, newspaper, table cloth, curtains, etc;
  - No naked flame sources, such as lighted candles should be placed on the apparatus.
  - It shall not be exposed to dripping or splashing and that no objects filled with liquids, such as vases, shall be placed on the apparatus.
  - Do not place the product in closed bookcases or racks without proper ventilation.
  - Where the mains/ power plug is used as the disconnect device, the disconnect device shall remain readily operable.

# INSTRUCTIONS



Features show on diagram above:

- |                     |                              |
|---------------------|------------------------------|
| 1. DC adaptor input | 9. Minute                    |
| 2. Tone             | 10. Alarm Set / Off          |
| 3. Alarm indicator  | 11. Function Switch          |
| 4. PM indicator     | 12. Volume Knob              |
| 5. Flashing LED     | 13. Vibrator out Jack        |
| 6. Time Set         | 14. Battery Compartment door |
| 7. Hour             | 15. USB Charging Port        |
| 8. Snooze / Dimmer  |                              |

## Test Mode:

- 1) Press and hold the Snooze and Time buttons for 3 seconds to enter the Test Mode. The display will show "7ES7" to indicate it is in TEST Mode.
- 2) If within 1 minute no button is pressed, then it will exit the Test Mode and return back to the Time Mode.
- 3) Press any button within 1 minute (except the Snooze & Time buttons, which has no effect), it will exit the Test Mode immediately.
- 4) While in Test Mode, sliding the Function Switch will demonstrate the different functions of the clock:
  - a) Function Switch at OFF, it will have a continuous "Vee" sound to indicate it is in the Test Mode.
  - b) Function Switch at BUZZ, it will demonstrate the buzzer sound.
  - c) Function Switch at VIB, it will demonstrate the vibrator.
  - d) Function Switch at VIB & BUZZ, it will demonstrate the buzzer sound & the vibrator.
- 5) After finish with the Test Mode, press any button (except the Snooze & Time buttons, which has no effect) it will exit the Test Mode immediately.

## **Setting the correct time –**

- 1) Press and hold the **Time Set Button ( 6 )** at the same time press the **Hour Button ( 7 )** to advance the clock display rapidly until the hour is correct.
- 2) Press and hold the **Time Set Button ( 6 )** at the same time press the **Minute Button ( 9 )** to advance the clock display rapidly until the minute is correct.  
A **lighted dot ( 4 )** in the upper left of the clock display indicated the time is PM. For AM time indication, the dot does not light up.

## **Setting the alarm time –**

- 1) Press and hold the **Alarm Set Button (10)** at the same time press the **Hour Button (7)** to advance the alarm display rapidly until the hour is correct.
- 2) Press and hold the **Alarm Set Button (10)** at the same time press the **Minute Button (9)** to advance the alarm display rapidly until the minute is correct.
- 3) Make sure the alarm time is correctly set for AM or PM, the **lighted dot (4)** indicated PM. Please be sure to release the HOUR and MIN set buttons before releasing the ALARM button.

### Selecting 12 or 24 hours format –

Press and hold the **Hour button (9)** for 6 seconds to enter the hour selection mode, release the **Hour button (9)** when the display shows "12 H" or "24 H". Press and release the hour button to toggle between 12 or 24 hours. If no selection is made within 4 seconds, then the last displayed hour format will be chosen and the display will return to the normal Time mode.

### Waking to Alarm –

- 1) Set **Function Switch (11)** to choose "VIB", "BUZZ" or "VIB / BUZZ".
- 2) Set desired volume using the **Volume knob (12)** for buzzsound.
- 3) Set alarm wake time per instructions for setting alarm time above.

### Adjusting The Alarm Duration Time

The default alarm duration time setting is 30 minutes, you may adjust the alarm duration between 1 minute and 59 minutes as desired. To adjust the alarm duration:

- Press and hold the **AL. SET button (5)** for six seconds. The clock display will show the default alarm duration as '30', release the AL. SET button.
- Press the "**MIN**" **button (10)** to adjust the alarm duration to the desired setting, from 1 minute to 59 minutes.
- When the display is showing the desired alarm duration time, it will return to the normal clock mode after 3 seconds. The new alarm duration time setting becomes the new default and remains in the memory until you change it again.

### Shutting Off Alarm –

Alarm can be shut off temporarily for the day or shut off permanently.

- 1) When the alarm goes off, simply press the **AL off button (10)** the alarm will shut itself off for the day and come back on the next day at the same time if the alarm setting has not changed.
- 2) To shut off the alarm permanently, slide **Function Switch (11)** to off position. Alarm will not come on until **Function Switch (11)** is set to "VIB" or "BUZZ" or "VIB/BUZZ" position.

### Snooze Operation–

**SNOOZE button (8)** – press after alarm has sounded. The alarm will be turned off for 9 minutes for extra sleep. The alarm will come back again after 9 minutes. You may repeat many time up to 119 minutes .

### Adjusting The Snooze Time

The default snooze time setting is 9 minutes but you may adjust the snooze time between 1 minute and 30 minutes as desired. To adjust the snooze time:

- Press and hold the **SNOOZE button (3)** for four seconds. The clock display will show the default snooze time '9'. Release the Snooze button.
- Press the "**MIN**" **button (10)** to adjust the snooze time to the desired setting, from 1 minute to 30 minutes.
- When the display is showing the desired snooze time, it will return to the normal clock mode after 3 seconds. The new snooze time setting becomes the new default and remains in the memory until you change it again.

### **Volume –**

To adjust the volume rotate the **Volume wheel (12)** until you have reach the desired level.

### **Tone –**

Adjust the tone by rotating the **Tone wheel (2)** until you have reach the desired level.

### **Dimmer Operation**

There is a 5-level brightness control for the LED display. Press the SNOOZE button (8) once to change the display brightness. The brightness will cycle from 5-4-3-2-1-2-3-4-5 (from bright to dim then from dim to bright).

**\*NOTE\*: The dimmer function will not work, when the clock is in snooze mode.**

### **Bed Shaker / Vibrator – Figure B**

- 1) Attach the bed shaker jack to the back of the clock at **VIBRATOR input (13)**.
- 2) To select vibrator, slide **Function Switch (11)** to VIB or VIB / BUZZ position.
- 3) Place vibrator under mattress or pillow.

### **USB Charging**

This alarm clock is equipped with a convenient USB charging port on the back panel that allows you to recharge many brands of mobile phones, portable music players, and other handheld devices that are supplied with USB charging cables.

The output rating of the USB charging port is 500mA.

To charge your device, connect the USB charging cable that was supplied with your handled device to the USB charging port (15) on the back panel of this alarm clock.

Observe the charging indicator on your device to confirm that it is charging.


Note: Charging time will vary depending on the charging current that your device requires. Therefore some devices will take longer to charge than others.

### **Battery Backup –**

To use the battery backup, you can install 2 pieces of AA size (UM-03) alkaline battery in the back of the clock located under the battery cover (14). Please note the LED display will not show during power failure but the clock will still be running and keeping proper time until the power is restored.

**NOTE:** For the best results it is recommended that the battery be changed every 6-8 months. If the clock is not used for a while, it is recommended to remove the battery to avoid leakage.


### **DC 5V Power Input –**

Attach the DC power supply input to the back of clock labeled DC5V  IN (1 ).



**Important: do not confuse DC input with vibrator input.**

## GENERAL DATA

UL listed Power Adaptor: AC100-240V~, 50/60Hz

Power Consumption: Adaptor Output: DC5V  , 800mA

USB Charging Port Rating: 500mA

 <p>The Lightning flash and arrowhead within the triangle is a warning sign alerting you of dangerous voltage inside the product.</p>	<p><b>CAUTION:</b> TO REDUCE THE RISK OF ELECTRICAL SHOCK, DO NOT REMOVE THE COVER (OR BACK) FROM THE PRODUCT. NO USER SERVICEABLE PARTS INSIDE. REFER SERVICING TO YOUR SONIC ALERT DEALER.</p>	 <p>The exclamation mark within the triangle is a warning sign alerting you of important instructions accompanying the product.</p>
--	--	--

WARNING: TO PREVENT FIRE OR SHOCK HAZARD, DO NOT EXPOSE THIS APPLIANCE TO RAIN OR MOISTURE.

*The normal function of the product may be disturbed by Strong Electro Magnetic Interference. If so, simply reset the product to resume normal operation by following the instruction manual. In case the function could not resume, please use the product in other location.*

- Attention should be drawn to the environmental aspects of battery disposal.



-  this indicating separate collection for electrical and electronic equipment.

### SONIC ALERT'S 1 YEAR LIMITED WARRANTY

The Sonic Boom Alarm Clock Model SBB500ss is warranted against manufacturing defects in materials and workmanship for one (1) year from the date of purchase. Within this period Sonic Alert will repair or replace at our option the SBB500ss without charge for parts and labor.

Simply contact our customer service department to obtain an RA (return authorization number) and instructions on how to process your product for return. Call 1-888-864-2446 or e-mail to [RMA@sonicalert.info](mailto:RMA@sonicalert.info). You'll need a copy of your receipt to process the return authorization.

Sonic Alert Inc., Troy MI 48083, USA.

## Sonic Alert

Made in China

Sonic Alert , Troy, MI 48083

[www.SonicAlert.com](http://www.SonicAlert.com) 1-888-864-2446