

Door Micro Switch Installation Manual for Air Curtains

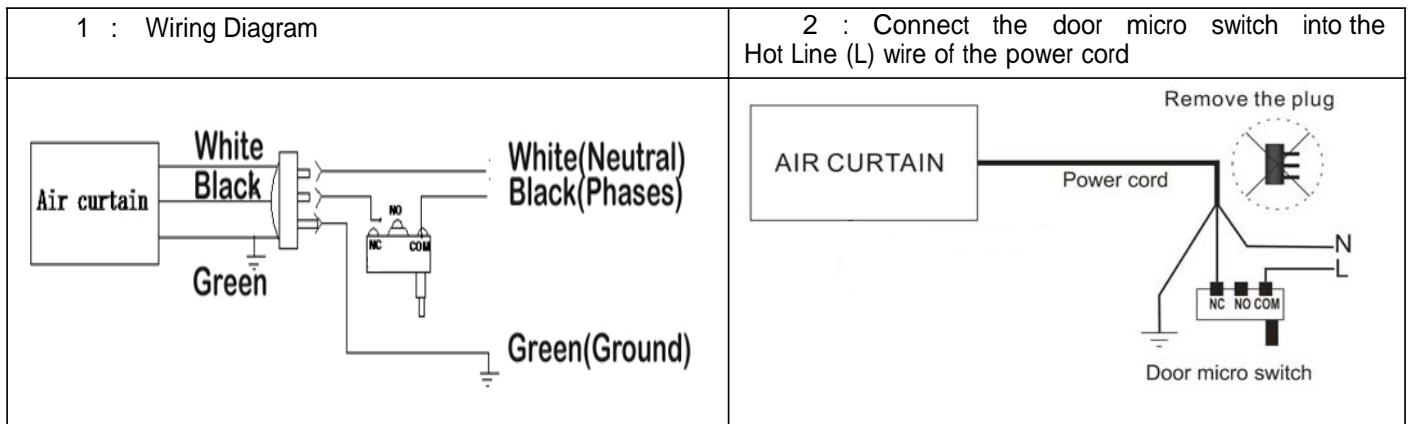
Please read the instructions carefully before use.

Warning: strongly recommend to test the air curtain before installation for any defective or damage during shipment.

1. DOOR MICRO SWITCH INSTALLATION

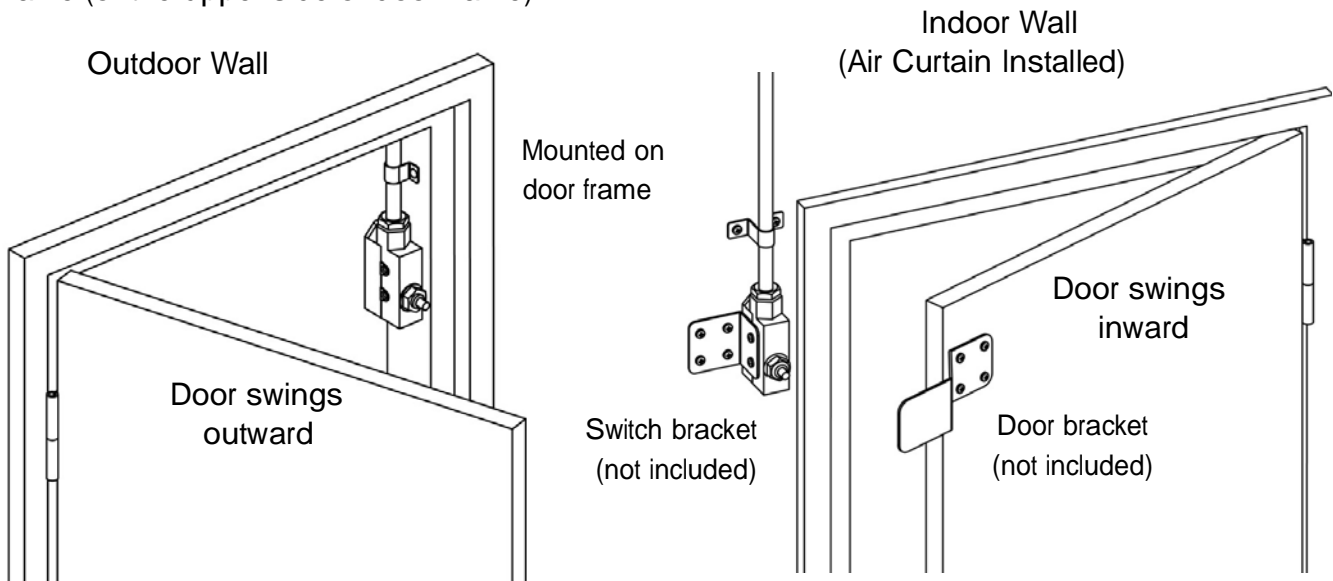
Please purchase the door micro switch if not supplied with the product.

Note: consult with your electrical professional for electrical connection.



The air curtain should be installed indoor, please follow the below diagrams for the recommended installation.

1.1 If the door swings outward, mount the micro switch (model TZ-6001 door switch) on side of the door frame (or the upper side of door frame).



1.2 If the door swings inward, please use metal sheet to create the brackets (not included) as shown in above to install the micro switch (model TZ-6001) .

1.3 Refer to the below micro switch installation diagrams for Roll-up Door (micro switch model TZ-6001).

