

Features

- One-piece wall-hung toilet.
- Compact elongated bowl offers added comfort while occupying the same space as a round-front bowl.
- Mounting hardware is completely concealed, giving Veil a sleek, seamless look that is easy to clean.
- Includes wall-hung bowl with Reveal® Quiet-Close™ Grip-Tight seat.
- Requires in-wall tank and carrier system, and flush actuator plate (sold separately).

Required Accessories

K-6284 2"x6" In-Wall Tank and Carrier System

or

K-18829 2x4 In-Wall Tank & Carrier System

K-5413 Flush Actuator Plate

or

K-18829 2x4 In-Wall Tank & Carrier System

K-4177 Flush Actuator Plate

or

K-18829 2x4 In-Wall Tank & Carrier System

K-8857 Flush Actuator Plate

or

K-18829 2x4 In-Wall Tank & Carrier System

K-75890 Flush Actuator Plate

or

K-18829 2x4 In-Wall Tank & Carrier System

K-75891 Flush Actuator Plate

Components

Product includes:

K-4008 Reveal® Quiet-Close™ Elongated Toilet Seat



Codes/Standards

ASME A112.19.2/CSA B45.1

ASME A112.19.14






DOE - Energy Policy Act 1992

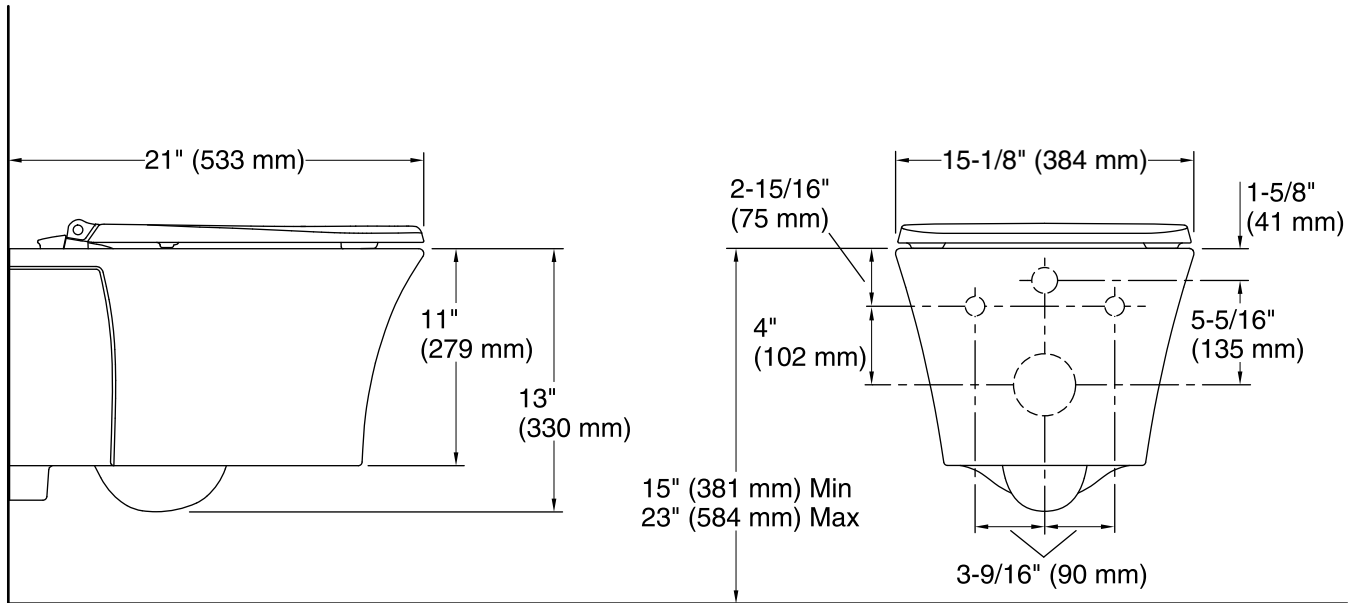
KOHLER® One-Year Limited Warranty

See website for detailed warranty information.

Available Color/Finishes

Color tiles intended for reference only.

Color	Code	Description
	0	White
	96	Biscuit
	47	Almond
	NY	Dune
	7	Black Black™



Technical Information

All product dimensions are nominal.

Toilet type:	In-wall, Wall-mount
Waste Outlet:	Wall
Bowl shape:	Elongated front
Trap passageway:	3" (76 mm)
Water surface size:	4-1/2" x 5-1/2" (114 mm x 140 mm)
Rim to water surface:	8-3/16" (208 mm)
Seat-mounting holes:	5-1/2" (140 mm)

Notes

Install this product according to the installation instructions.

Toilet height is dependent on carrier settings.