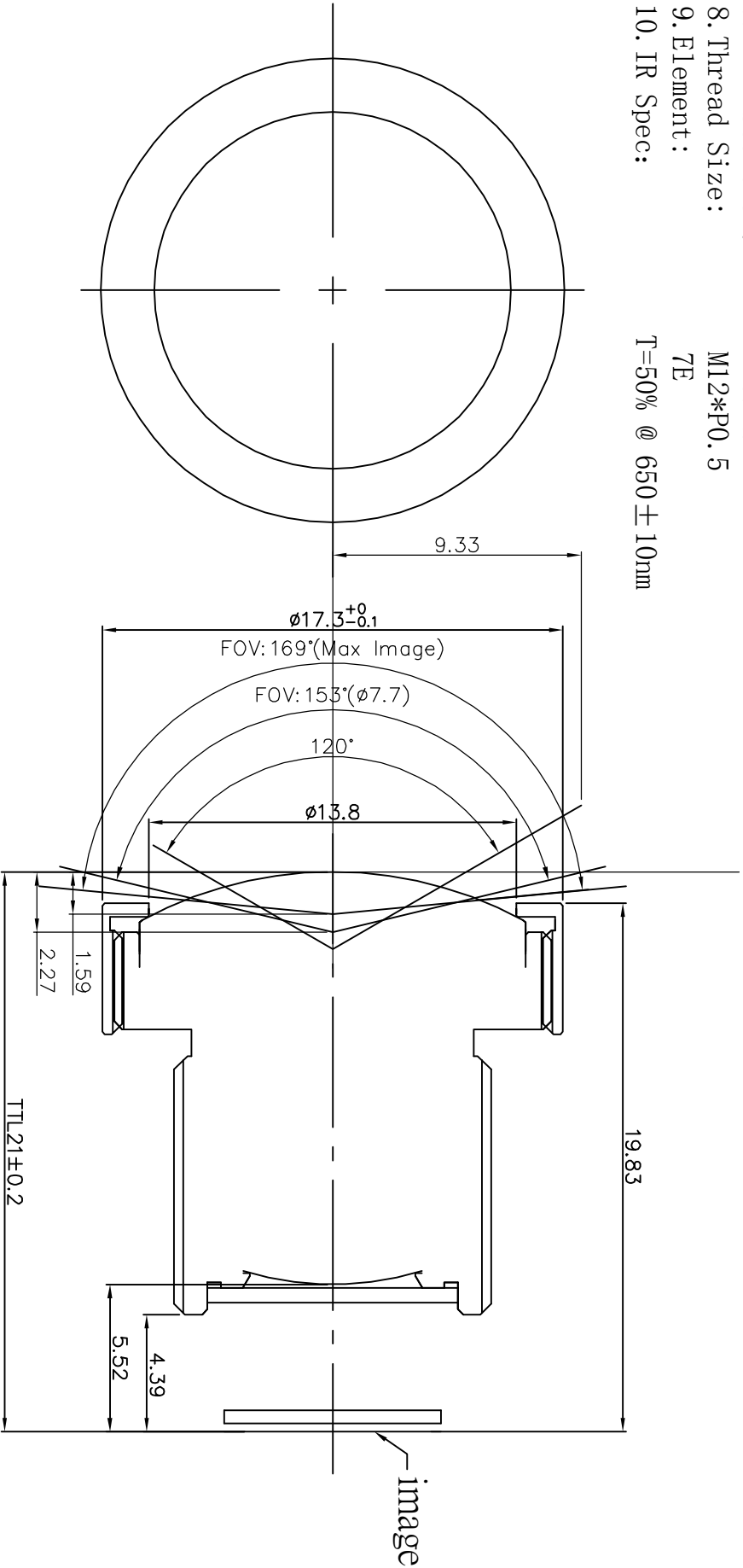


ZJ3029B Spec (16 Mega):

1. Sensor Size: 1/2.3" For MN34120PA or IMX117
2. Focal Length (EFL): f=3.06mm
3. F/NO (Infinite): F/NO=2.8
4. Back Focal Length: BFL=4.39mm
5. Flange Back Length: FB=5.52mm
6. Field of View: 169° (MAX) (for $\phi 7.7$ DI53° /HI21°)
7. TV Distortion: -15.1%
8. Thread Size: M12*P0.5
9. Element: 7E
10. IR Spec: T=50% @ 650±10nm




彰骏光电科技有限公司

-TOLERANCES-
 UNLESS OTHERWISE SPECIFIED

DRAW: 品名: 光学镜头
 绘图: DEN
 设计: 料号: ZJ3029B
 CHECK: 校对: 图号: ZJ3029B
 APPD: 核准:

Matl.	Finish	QTY	Unit	Scale	Date	Rev.
			mm	1:1		00

XX	±0.15
XXX	±0.10
XXX	±0.05
ANG.	±0.5°

1 2 3 4 5 6 7 8 9 10