



Portable Ice Maker User Guide



Overview

Requiring no installation or water hookup, the Ivation portable ice maker is perfect for small spaces. It makes 9 ice cubes, in 3 selectable sizes, in 7 – 10 minutes. Unused ice melts back into the water reservoir to make fresh ice during the next cycle. The unit is capable of making up to 26.5 lbs. of ice per day.

It features alerts for low water level and maximum capacity, and automatic shutoff when the basket is full.

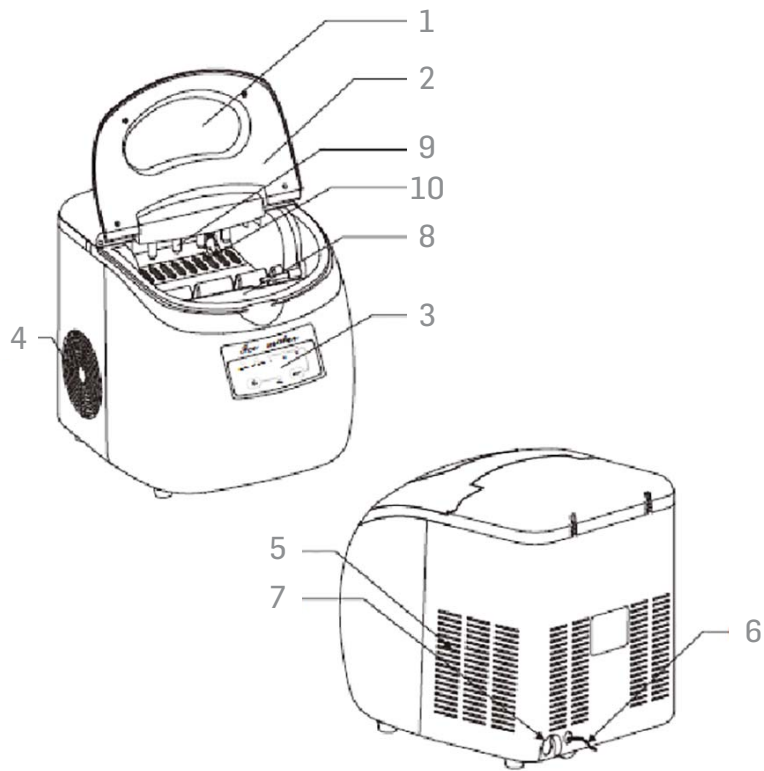
Safety Information

- This appliance must be grounded. This product is equipped with a cord having grounding wire with an appropriate grounding plug. Plug the unit into a dedicated AC outlet that is properly installed and grounded in accordance with all local codes and ordinances. Do not modify the plug provided; if it will not fit the outlet, have the proper outlet installed by a qualified electrician. If an extension cord is necessary, use only a 3-wire cord that has a 3-blade grounding plug, and a 3-slot receptacle that will accept the plug on the product.
- Never unplug the unit by pulling on the power cord. Firmly grip the plug and pull it straight out of the outlet.
- Use only fresh, clean water with no flavoring. Do not attempt to make ice with tea, juices, or other liquids.
- Make sure the unit is placed on a flat, even surface in a well-ventilated area. Do not block the air vents.
- Do not expose the unit to direct sunlight, high humidity, or temperature extremes.
- Do not place the unit close to heat sources or open flames.
- Do not operate the unit if the ambient temperature is lower than 41°F/5°C or higher than 90°F/32°C.
- Do not use the unit outdoors.
- Unplug the unit before cleaning.
- Do not clean the unit with solvents, boiling water, or cleaning agents.
- Do not store anything inside the unit.
- Unplug the unit before moving it.
- Do not place items on top of the unit.
- Do not tip the unit over.
- Do not attempt to repair or disassemble the unit.
- Use this appliance only for its intended purpose.
- Remove ice and water from the unit before storing it.
- Do not let children operate the appliance unless supervised.
- Regularly clean the ice maker and allow it to dry thoroughly before using or storing. SEE "CLEANING" SECTION OF THIS GUIDE.

CAUTION: Mold can form if moisture gets trapped inside the unit. Drain water after every use and sure the interior is clean and dry before storing.

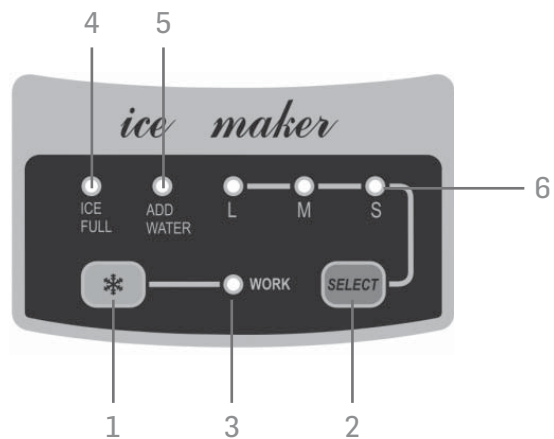
Parts & Controls

1. Transparent window
2. Cover
3. Operation panel
4. Air outlet
5. Air inlet
6. Power cord
7. Water drain outlet, screw cap, and plug
8. Removable ice basket
9. Evaporator
10. Ice chamber



Control Panel

1. Power: On/Off/Operating/Standby
2. SELECT Button: Select ice cube size
3. WORK Indicator: Power on
4. ICE FULL Indicator: Ice basket is full
5. ADD Water Indicator: Reservoir is low
6. L / M / S Indicators:
Three selectable ice cube sizes:
L (large), M (medium), S (small); Default Setting is M




Operating Instructions

- Clean the machine before using. SEE "CLEANING" SECTION OF THIS GUIDE.
- Place the ice maker onto a smooth, flat surface in a well-ventilated area.
- Plug in the unit. IMPORTANT: WAIT 30 MINUTES BEFORE USING THE UNIT TO MAKE ICE FOR THE FIRST TIME. THIS ALLOWS THE REFRIGERANT TO STABILIZE.
- Lift the cover, remove the ice basket, and pour fresh water into the water reservoir, filling to the top of the protrusions. Press the power button.
- Select the desired ice cube size: S, M, L. The default size is M.
- The machine will make 9 ice cubes at a time. The process takes 7 – 10 minutes, depending upon the size of the ice cubes selected, water temperature, and ambient temperature.
- Periodically check the "Add Water" indicator. If reservoir is empty, the machine will stop automatically. Make sure the unit is turned off. Wait 3 minutes. Refill the water reservoir. Press the Power button to restart the unit.
- The machine will stop when the ice basket is full. Remove the basket and transfer the cubes to your freezer, cooler, or ice bucket. This product is not intended to store ice.
- Replace the water in the reservoir every 24 hours. If the unit is not in use, drain any leftover water by removing the screw cap and plug located at the back of the unit.

Cleaning and Maintenance

- Keep the machine in an upright position while cleaning it.
- Before first use: Remove and wash ice basket. Do not put in dishwasher. Clean ice maker interior with mild, household detergent and water; wipe with a soft cloth. Remove any residue and allow to dry.
- Never immerse the machine in water or other liquid.
- Always unplug the ice maker before cleaning it.
- Clean the exterior with mild detergent and water.
- When the machine is not in use, remove the screw cap and drain plug on the back of the unit to drain the reservoir. Remove and wash the ice basket. Clean the interior.
- Regularly clean the interior, especially when the unit has not been in use, to help prohibit bacteria growth. Use a mixture of diluted (with clean water) lemon juice or white vinegar to clean the interior. Allow the unit to dry thoroughly before storing.

CAUTION: Mold can form if moisture gets trapped inside the unit. Drain water after every use and sure the interior is clean and dry before storing.

Troubleshooting Guide		
Problem	Possible Cause	Remedy
WORK indicator does not light.	No power.	Check the power supply and cord. Make sure that the unit is plugged into a dedicated grounded AC outlet. Check household fuses or circuit breakers. Check if the ice basket is full. Check the water level.
ICE FULL indicator lights up.	<ol style="list-style-type: none"> 1. The ice basket is full. 2. The ambient temperature is lower than 41°F/5°C. 	<ol style="list-style-type: none"> 1. Empty the ice basket. 2. Move the unit to a warmer place where the ambient temperature is higher than 41°F/5°C.
ADD WATER indicator lights up.	Reservoir water level is too low.	Add fresh water to unit. Press  Button.
ICE FULL indicator and FILL WATER indicators both light up.	<ol style="list-style-type: none"> 1. Blockage. 2. Internal damage. 	<ol style="list-style-type: none"> 1. Check the ice basket and reservoir. Remove any foreign material. 2. Internal components may be damaged and require professional repair.
Poor performance.	<ol style="list-style-type: none"> 1. Insufficient heat elimination. 2. Water temperature is too high. 3. Ambient temperature is too high. 4. Refrigerant leak. 	<ol style="list-style-type: none"> 1. Clean any dust on and around the cooling fan and vents. Place unit in a well-ventilated area. 2. Fill reservoir with room-temperature water. 3. Do not operate the unit if the ambient temperature is higher than 90°F/32°C. 4. Refrigeration system is damaged and requires professional repair.
Abnormal noise. NOTE: A humming or knocking sound ,when water is pumped through the system, is normal.	<ol style="list-style-type: none"> 1. Insufficient airflow 2. Low water level or ice basket is full. 3. Fan or pump damage. 	<ol style="list-style-type: none"> 1. Ensure that the unit is located in a well-ventilated area with an ambient temperature between 41°F/5°C and 90°F/32°C. 2. Check water level. Remove ice from ice basket. 3. Unit is damaged and requires professional repair.

Specifications

Dimensions:	11.7" x 14.2" x 13.3"
Max. output per day (24 hrs.):	2
Output time:	6.5 lbs.
Water capacity:	7 - 10 minutes
Rated Power Input:	3 quarts
Rated Frequency:	110 W
Voltage:	0Hz
	110-120V

Distributed by
C & A Marketing
2 Bergen Turnpike
Ridgefield Park, NJ 07660
info@myivation.com

Made in China
ivation is a trademark of
C&A IP Holdings, LLC
©2015 All right reserved