



# Eyeball Fitting Connection Kit Installation Instructions

This kit (part #9-100-8001) includes one 1-1/2" pressure relief valve assembly and two eyeball regulators.

**If the pool has only one return line**, install the Polaris 360 on that line.

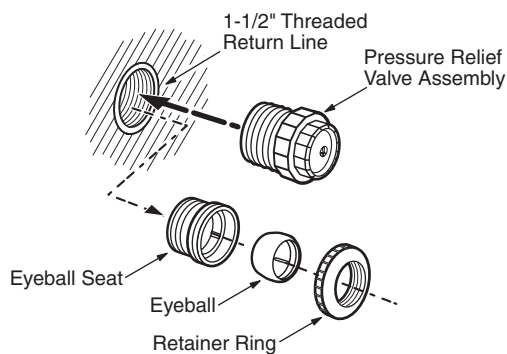
**If the pool has more than one return line**, install the Polaris on the return line nearest the center point of the pool's longest wall or on the line nearest the pool equipment. Install the pressure relief valve on the line furthest away from the pool equipment.

Install the eyeball regulators on any remaining return lines.

**Note:** Before winterizing the pool, remove all the parts of this kit and reinstall the pool's original eyeball fittings.

## Installation of Pressure Relief Valve Assembly

1. Turn off the pool pump.
2. Unscrew and remove the retainer ring, eyeball and eyeball seat.
3. Screw the pressure relief valve assembly into the return line.



## Eyeball Regulator Installation

1. With the pump off, unscrew and remove the retainer ring and eyeball.
2. Fit the eyeball regulator into the retainer ring.
3. Screw the retainer ring with the regulator back into the eyeball seat.

