

INSTALLATION GUIDE

This Installation Guide is intended to be used as reference only. Installation should be done by a fully qualified electrician/technician. This document should not be considered as a substitute for any provision of a regulation, state and/or local code. Please read the entire user guide to fully understand and safely use this product.

This installation works with the following end caps:



I UNPACK THE PRODUCT

- 1) Unpack and carefully examine the product from top to bottom.
- 2) Report any damage and save all packing materials, if any part was damaged during transport.
- 3) Do not attempt to use this product, if it is damaged.

II PLANNING THE INSTALLATION

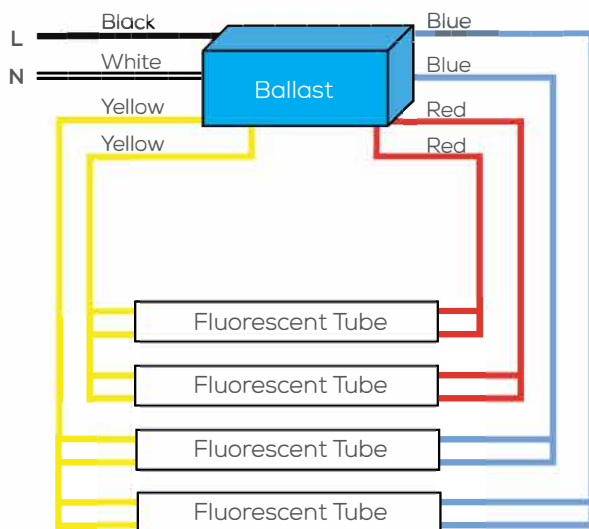
This device installation requires planning to ensure successful installation with minimal complications and down time.

It is the responsibility of the contractor, installer, purchaser, owner, and user to install, maintain, and operate the device in such a manner as to comply with all state and local laws, ordinances, and regulations.

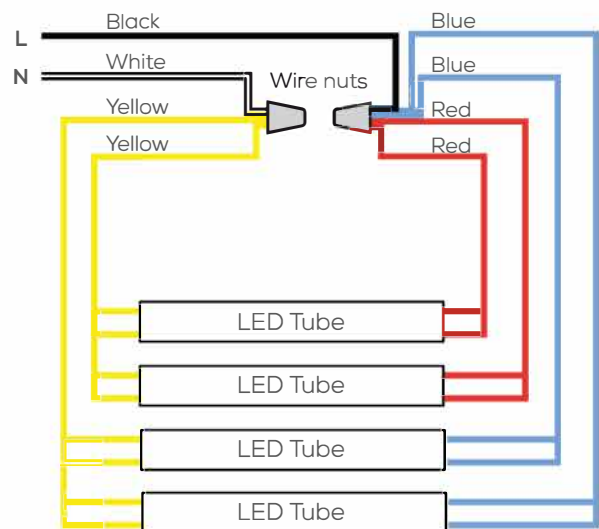
III PRODUCT INSTALLATION STEPS

- 1) Disconnect power to fixture at source. Do not simply SWITCH OFF FIXTURE.
- 2) Remove existing fluorescent tubes and safely set aside.
- 3) Disconnect (cut) wires to ballast leaving enough wire to be tied off with wire nuts.
- 4) Tie-off remaining wires attached to ballast with wire nuts.
- 5) See wiring diagram shown below for fixture rewiring instructions.
- 6) Install LED Retrofit Tube(s) into fixture.
- 7) Re-connect power supply and turn on switch.

BEFORE LED TUBE INSTALLATION



AFTER LED TUBE INSTALLATION



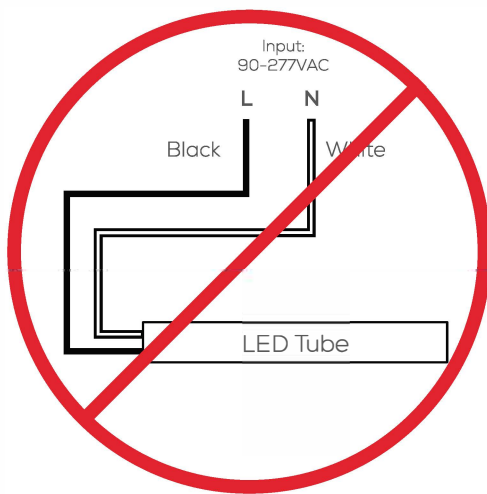
INSTALLATION GUIDE

WARNINGS AND CAUTIONS

A) Before installing the LED Replacement Tube, Disconnect the power supply to the light/fixture for your safety. Wiring the fixture to use the LED Fluorescent Replacement Tube is simple, but should be performed by a qualified/licensed professional observing normal safety procedures.

B) LED FLUORESCENT TUBES:

- The two (2) pins at each end of the LED Fluorescent Replacement Tube are internally connected together. You may apply line voltage to either one pin or both.
- Never apply both Hot (typically BLACK) and Neutral (typically WHITE) to the same end of the tube! The individual pins at each end are internally shorted!
- The LED Fluorescent Replacement Tube fits in any T-Series Medium Bi-Pin (T8/T10/T12) socket. Replacement of the lamp holders is not necessary.
- NEVER ATTEMPT TO RETROFIT OR OTHERWISE ALTER IN ANY WAY, ANY FLUORESCENT FIXTURE WITH BUILT-IN EMERGENCY BATTERY BACK-UP. DOING SO WILL IMMEDIATELY VOID THE AND NFPA LIFE SAFETY CODE CERTIFICATIONS.



CAUTION: Do NOT attempt to connect both the Load (Black Wire) and the Neutral (White Wire) to the same side of the LED Tube. Doing so will damage the tube and void the warranty.