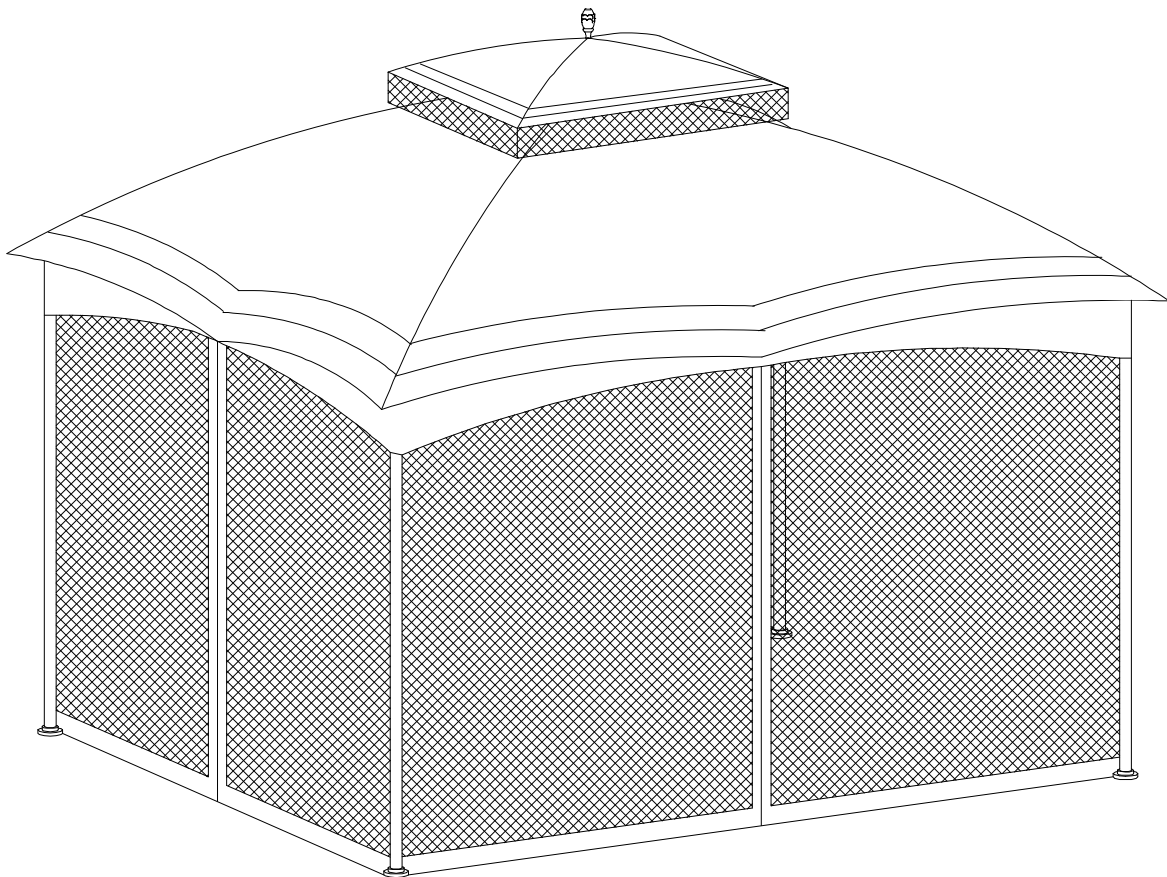


Sunjoy L-GZ933PST 12'X 10' Cabin-Style Soft Top Gazebo with Mosquito Netting

Owner's Manual



IMPORTANT

Thank you very much for choosing Sunjoy Group.

Please take time to read these instructions thoroughly and follow each step carefully for safe and easy operation. Keep this manual for future reference.

We would like to hear from you with any comments or suggestions. You can call us toll-free at 1-866-578-6569 from 8:00 a.m. EST to 8:00 p.m. PST. You can also send the email to amazon@sunjoygroup.com or visit www.sunjoyonline.com to get tech. assistance or to place your replacement part order form.

Cautions:

1. Keep all children and pets away from assembly area. Children and pets should be supervised when they are in the area of gazebo construction.
2. The area for assembly should not be less than 6 feet from any obstruction such as fence, garage, house, overhanging branches, laundry line or electrical wires.
3. For your safety, Do not assemble this item alone. Two people are recommended for safe assembly.
4. Some parts may contain sharp edges. Wear protective gloves if necessary during assembly.
5. When assembling and using this product, basic safety precautions should always be followed to reduce the risk of personal injury and damage to equipment. Please read all instructions before assembly and use.
6. For outdoor use only. Install on level ground. Do not cook inside the tent.
7. Check all bolts for tightness before and during usage
8. Pegs supplied must be used to hold this gazebo in place when upright.
9. Warranty does not cover damage due to extreme weather conditions.
10. Do not use candles, matches or open flames of any kind in or near a tent.
11. Build campfires downwind and several meters away from a tent and be sure to fully extinguish campfires before leaving a campsite or before retiring for the night.
12. Exercise extreme caution when using fuel-powered lanterns or heaters inside a tent and use battery-operated lanterns whenever possible.
13. Extinguish or turn off all lanterns before going to sleep. Do not smoke in a tent.
14. **WARNING: KEEP ALL FLAME AND HEAT SOURCES AWAY FROM THIS TENT FABRIC.** This tent is made with fabric that meets CPAI-84 specifications for flame resistance. It is not fire proof. The fabric will burn if left in continuous contact with any flame source.

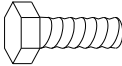

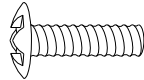

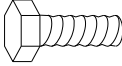
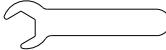

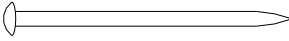
Assembly Instructions:

Our clear, easy-to-follow, step-by-step instructions will guide you through the project from start to finish. The final product will be a quality piece that will go together smoothly and give years of enjoyment.

All you will need is a screwdriver, a hammer and two ladders of at least 8 feet (2.5 m) high (not included).

Parts identification: For ease of identification, all parts are labeled to correspond to the Step number in which the part is used.

Hardware Pack

AA	M6x15 Bolt	32PCS	
BB	M6 Flat Washer	72PCS	
CC	M6x35 Cross Bolt	8 PCS	
DD	M6 Nut	16 PCS	
EE	M6x20 Bolt	8 PCS	
FF	Wrench	2PC	
GG	Mosquito Netting Hook	8 PCS	
HH	Dia. 8 X 180 Stake	32PCS	

Parts List

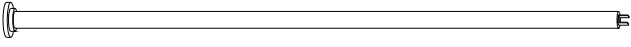

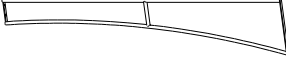
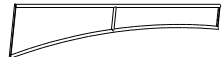
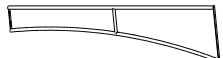
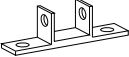








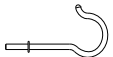

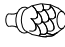


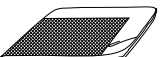
A	Post	4PCS	
B1	Long angle beam 1	2PCS	
B2	Long angle beam 2	2PCS	
C1	Short angle beam 1	2PCS	
C2	Short angle beam 2	2PCS	
D	Middle Connector Link Part	4PCS	
E	Long Mosquito Pipe	4PCS	
F	Short Mosquito Pipe	4PCS	
G	Inclined Beam	4PCS	
H	Long Middle Beam	2PCS	
I	Short Middle Beam	2PCS	
J	Bottom of Inclined Beam	4PCS	
K	Big Connector	1PC	
L	Inclined Beam of Small Top	4PCS	
M	Hook	1PC	
N	Small Connector	1PC	
O	Decorating Part	1PC	
P	Small canopy	1PC	
Q	Big canopy	1PC	
R	Mosquito netting	1PC	

Fig. 1

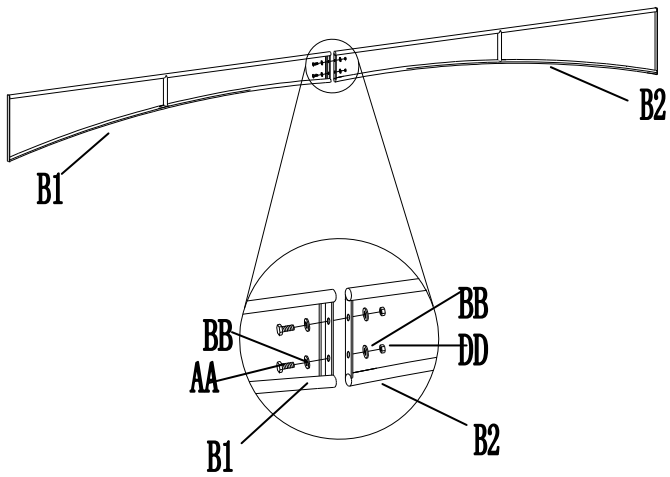


Fig.1: Link Long angle beam 1 (B1) and Long angle beam 2 (B2) with Bolt (AA), Washer (BB) and Nut (DD), repeat this step for Short angle beam 1 & 2 (C1, C2)

Fig.2

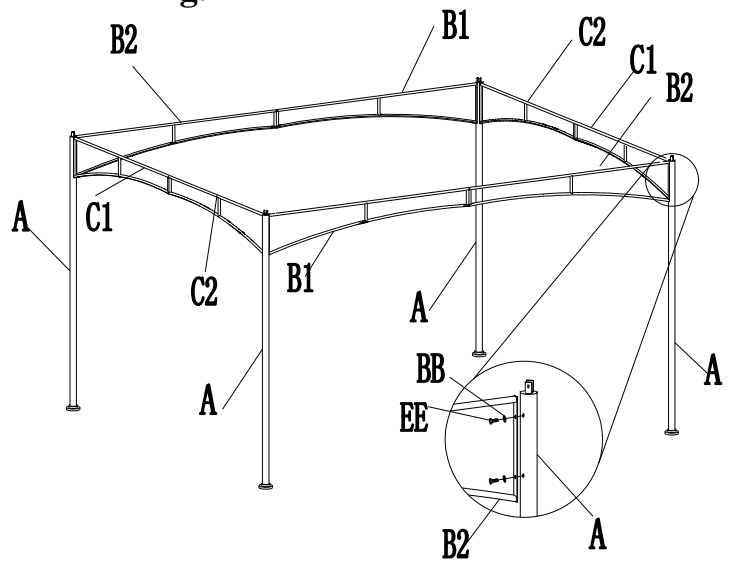


Fig.2: Attached Angle Beam (B1, B2, C1, C2) onto Post (A) with Bolt (EE) and Washer (BB)

Fig. 3

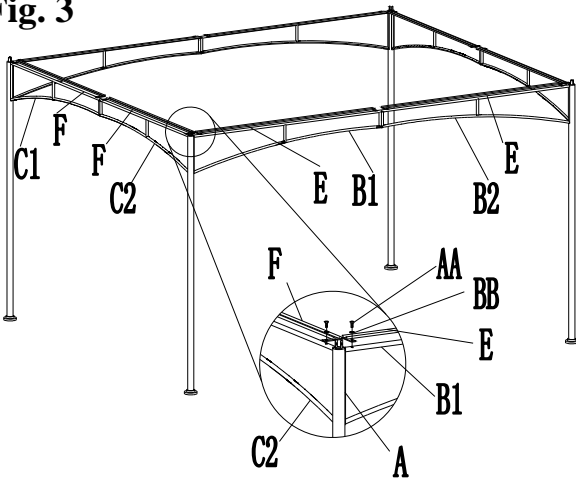


Fig.3: Tighten Long Mosquito Pipe (E) onto Long angle beam (B1 & B2) with Bolt (AA) and Washer (BB), Tighten Short Mosquito Pipe (E) onto Short angle beam (C1 & C1) with Bolt (AA) and Washer (BB),

Fig. 4

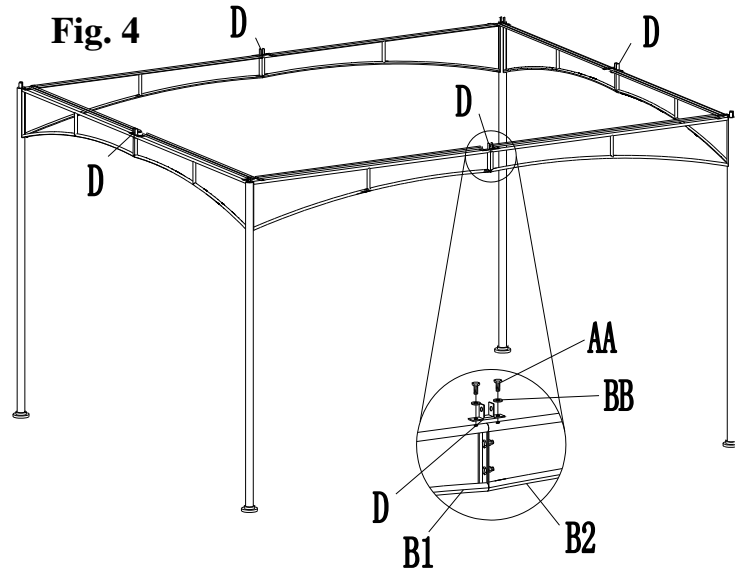


Fig.4: Fix Middle Connector Link Part (D) on Angle Beam with Bolt (AA) and Flat Washer (BB), as Fig.4

Fig. 5

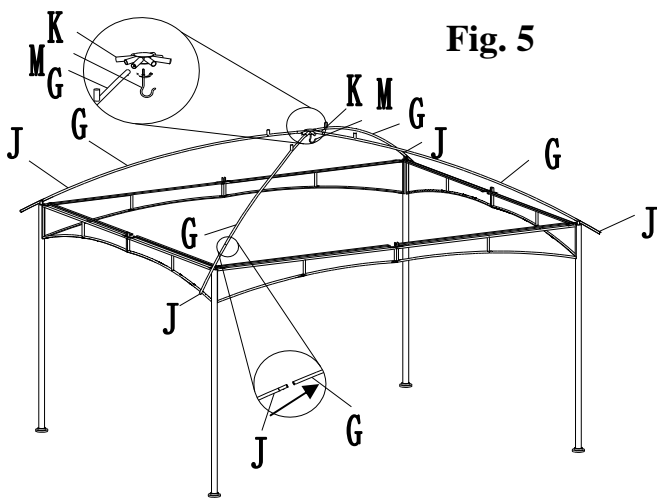


Fig.5: Insert Inclined Beam (G) into Big Connector (K), then rotate Hook onto Big Connector (K). Insert Bottom of Inclined Beam (J) into Inclined Beam (G).

Fig. 6

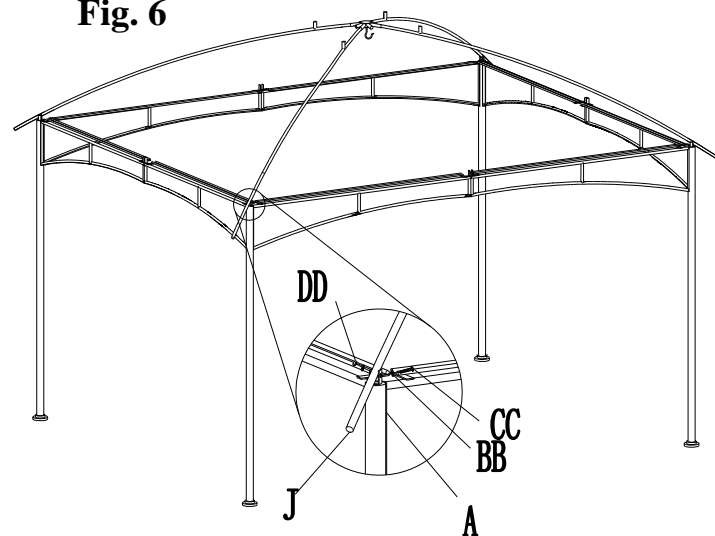


Fig.6: Fix Bottom of Inclined Beam (J) onto Post (A) with Bolt (AA), Washer (BB) and Nut (DD), to tighten Bolts.

Fig. 7

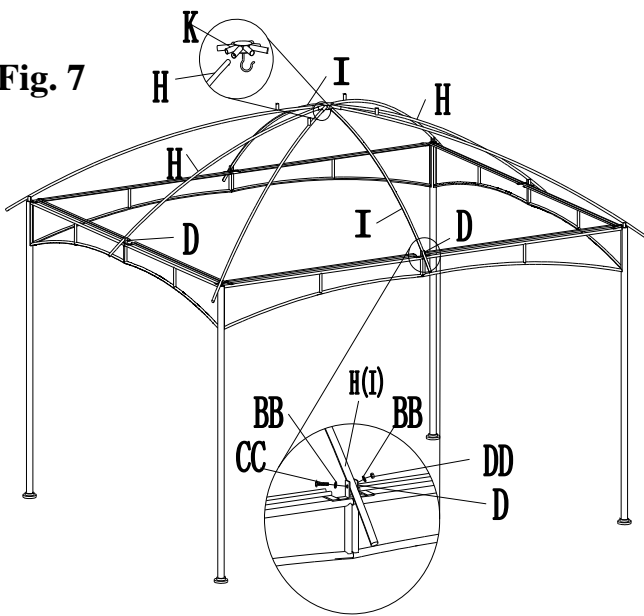


Fig.7: Insert Long Middle Beam (H) and Short Middle Beam (I) into Big Connector (K), to fix Middle Beam (H,I) on the Middle Connector Link Part (D) with Bolt (CC), Washer (BB) and Nut (DD). Put Big canopy on the top, do not open Big Canopy.

Fig. 8

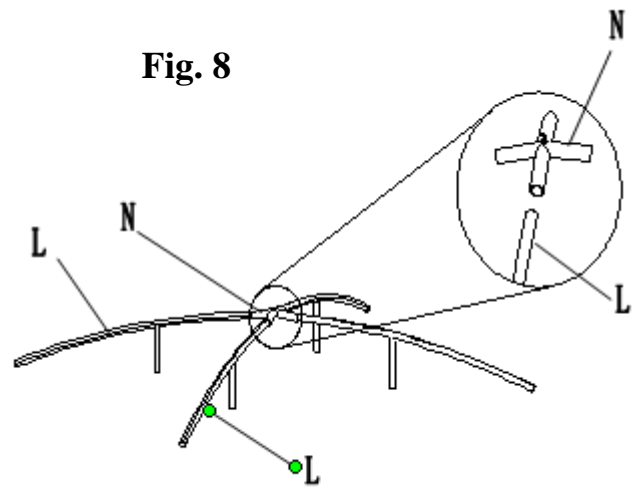


Fig.8: Insert Inclined Beam of Small Top (L) into the Small Connector (N).

Fig. 9

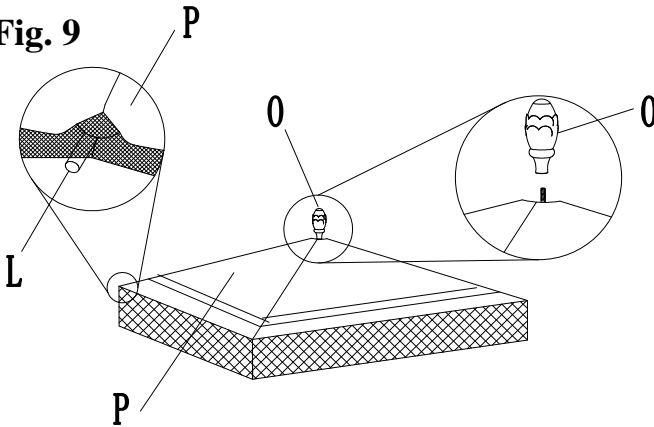


Fig.9: Put Small canopy (P) on the Small Top, and then insert Inclined Beam of Small Top (L) into Small canopy (P). Assemble Decorating Part (O) on the Small Connector (N).

Fig. 10

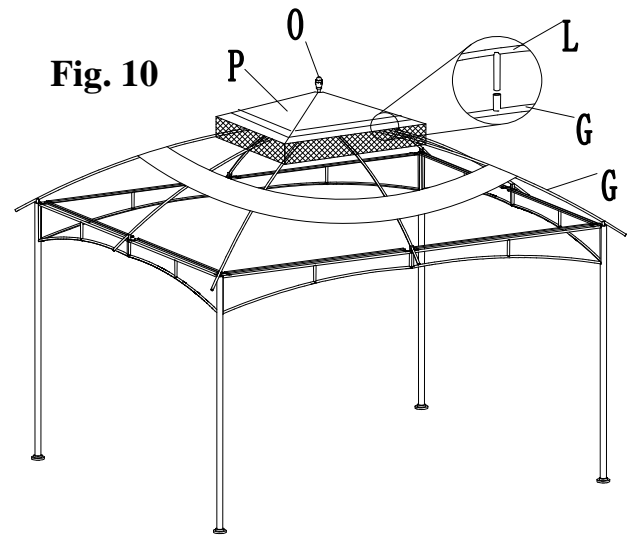


Fig.10: Attached Small Top onto the Big Top, to insert Inclined Beam of Small Top (L) into Inclined Beam (G).

Fig. 11

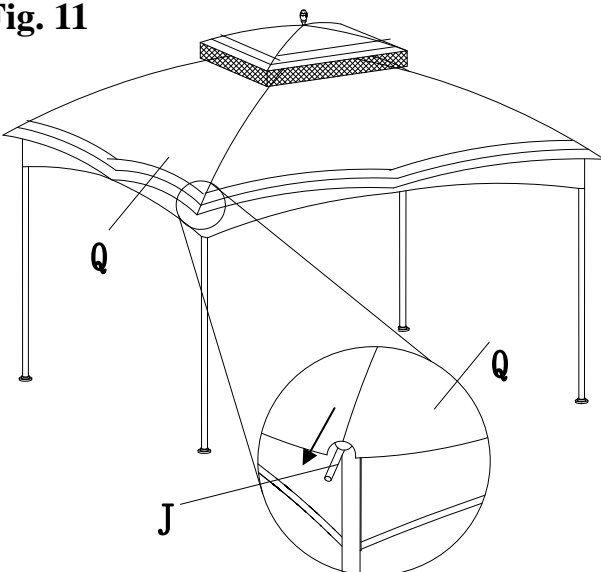


Fig.11: Insert Bottom of Inclined Beam (J) into corner of Big Canopy (Q). Page 5

Fig. 12

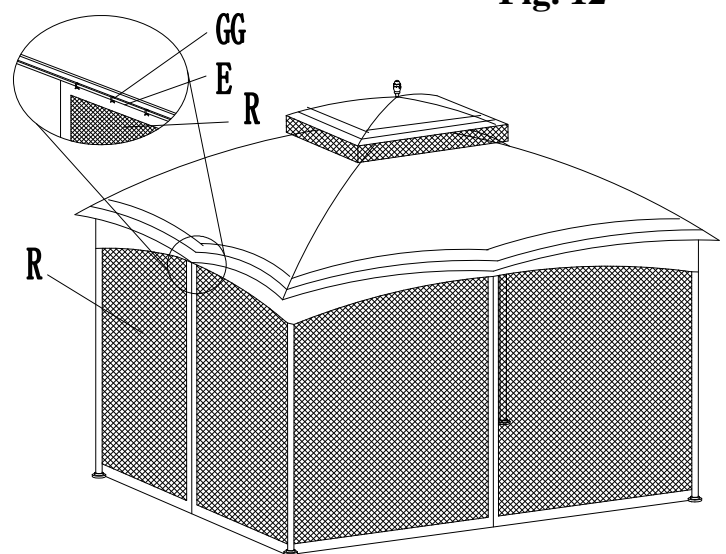


Fig.12: Hang Mosquito netting (R) on the Mosquito Pipe (E, F) by Mosquito Netting Hook (GG).

Fig. 13

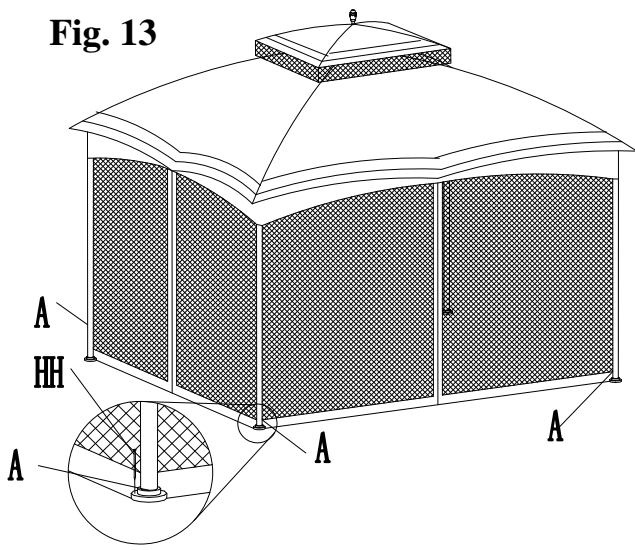


Fig.13: Fix Gazebo on the ground by Stakes.

Care & Maintenance:

Our steel components for garden accessories and furniture are treated with rust inhibiting paint that protects it from rusting. However, due to the nature of steel, surface oxidation (rusting) will occur once these protective coatings are scratched. This is not a defect and thus not covered by the warranty.

To minimize this condition, we recommend care when assembling & handling the product to prevent scratching the paint. Should any scratching or damage occur, we recommend immediate touch-up with rust inhibiting paint.

Surface rust can also be easily removed with a very light application of common cooking oil. If surface oxidation (rusting) occurs and if no measure is taken to prevent this, the oxidation may start dripping on to deck or patio and caused damaging stains, which may be difficult to remove. This can be prevented if the above-mentioned measures are taken to keep the product from oxidizing.

Limited Manufacturer's Warranty:

This limited warranty is extended to the original purchaser and applies to defects in materials and workmanship of your item provided the item is maintained with care and used only for personal, residential purposes.

The item is warranted to be free from defects in material or workmanship for a period of **One (1) Year**. We don't reimburse for transportation or delivery costs, or compensate the individual or any outside party for assembling or disassembling the product.

Exclusions:

Items used for commercial, contract, or other non-residential purposes, or items damaged due to acts of nature, vandalism, misuse, or improper assembly are not covered. Corrosion or rusting of hardware is not covered. Proof of purchase (dated register receipt) is required for warranty claims. Warranty is to the original purchaser and is non-transferable. Any replacement of warranted items will be in the original style and color, or a similar style and color if the original is unavailable or has been discontinued. As some states do not allow exclusions or limitations on an implied warranty, the above exclusions and limitations may not apply. This warranty gives you specific rights, and you may also have other rights, which vary from state to state.

Made in China