



# ASSEMBLY INSTRUCTION

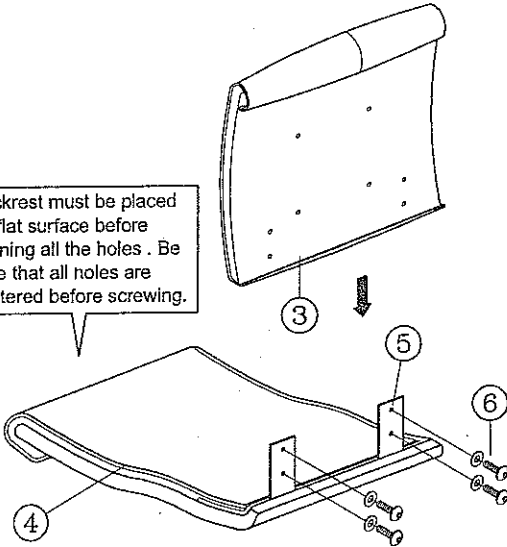
Remove all items from the carton . Verify all pieces before assembly.

## PART LIST

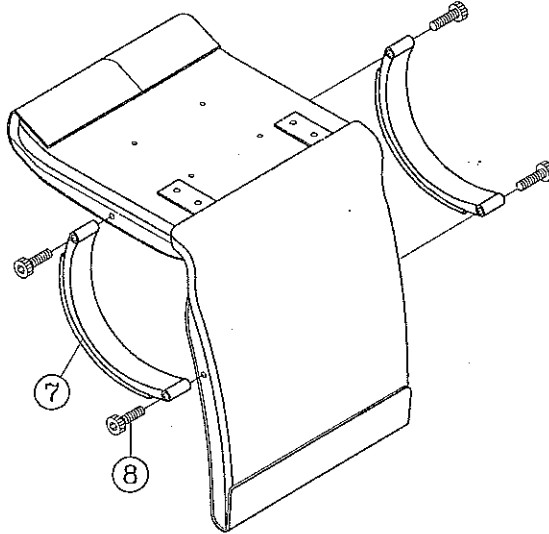
KEY QTY	DESCRIPTION	KEY QTY	DESCRIPTION
1	1 Sled Base	5	2 Seat & Back Metal Bracket
2	4 Sled Base Screw	6	4 Metal Bracket Screw + Washer
3	1 Seat	7	2 Armrest
4	1 Backrest	8	4 Armrest Screw

### STEP 1.

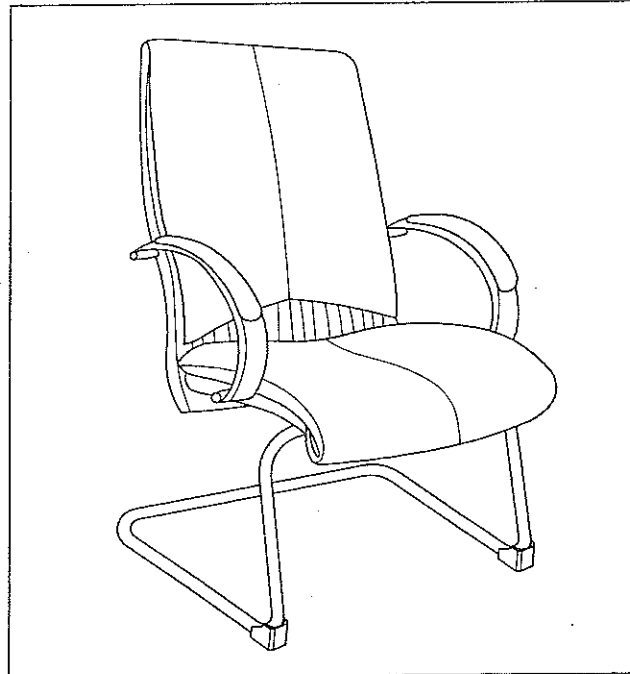
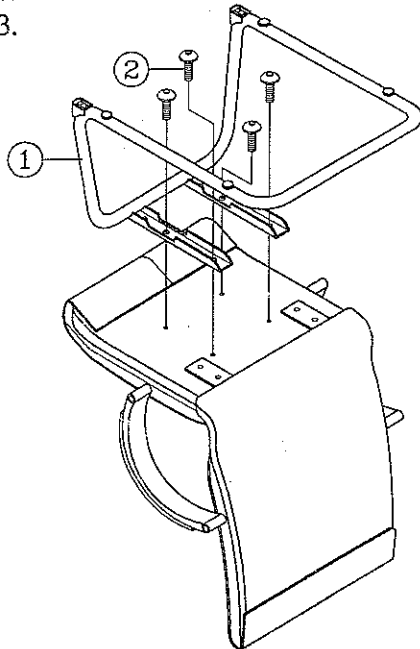
Backrest must be placed on flat surface before aligning all the holes . Be sure that all holes are centered before screwing.



### STEP 2.



### STEP 3.



### PREVENTIVE MAINTENANCE AND WARNING!

- USE THIS PRODUCT ONLY FOR SEATING ONE PERSON AT A TIME.
- DO NOT USE THIS CHAIR AS A STEP STOOL / LADDER.
- DO NOT SIT ON ANY PART OF THE CHAIR EXCEPT THE SEAT.
- DO NOT USE CHAIR ON UNEVEN FLOOR SURFACES.
- DO NOT USE CHAIR UNLESS ALL BOLTS, SCREWS AND KNOBS ARE TIGHT. AT LEAST EVERY SIX MONTHS, CHECK ALL BOLTS, SCREWS AND KNOBS TO BE SURE THEY ARE TIGHT.
- IF ANY PARTS ARE MISSING, BROKEN, DAMAGED OR WORN, STOP USE OF THE PRODUCT UNTIL REPAIRS ARE MADE USING FACTORY AUTHORIZED PARTS.
- DISPOSE OF PACKAGING PROPERLY. PLASTIC BAG IS NOT A TOY. DO NOT USE PLASTIC BAG AS HEAD COVERING - IT MAY CAUSE SUFFOCATION.
- FAILURE TO FOLLOW THESE WARNINGS COULD RESULT IN SERIOUS INJURY.