



# SPALET®

## INTEGRATED ELECTRONIC BIDET TOILET



### FEATURES

---

- Sleek and simple overall design
- Vitreous China compact-elongated bowl
- Innovative sensor technology
- One-touch power save (8 hours)
- Automatic open/slow-close lid and heated seat (6 levels)
- WaterSense dual flush 1.32 -0.92 gpf/4.9-3.4 lpf
- Automatic vortex flush with siphon jet
- In-line easy to access water filter
- Turbo air deodorizer with replaceable cartridge
- Warm air dryer (3 temp levels)
- Easy-clean seat with dual self cleaning/removable nozzle tips
- Two independent self-cleaning water spray nozzles for front and rear cleansing
- Water control settings; pressure (6 levels), temperature (6 levels), massage and oscillation
- Metal remote control included
- Soft night light

### DIMENSIONS

---

#### NOMINAL DIMENSIONS

21-7/8" x 16-5/16" x 25" (555 x 415 x 635 mm)

### COLORS/FINISHES

---

Canvas White (415)

### COMPONENTS

---

8015A70GRC-415 SpaLet Electronic Bowl Unit

3351C801-415 SpaLet Electronic Seat Unit

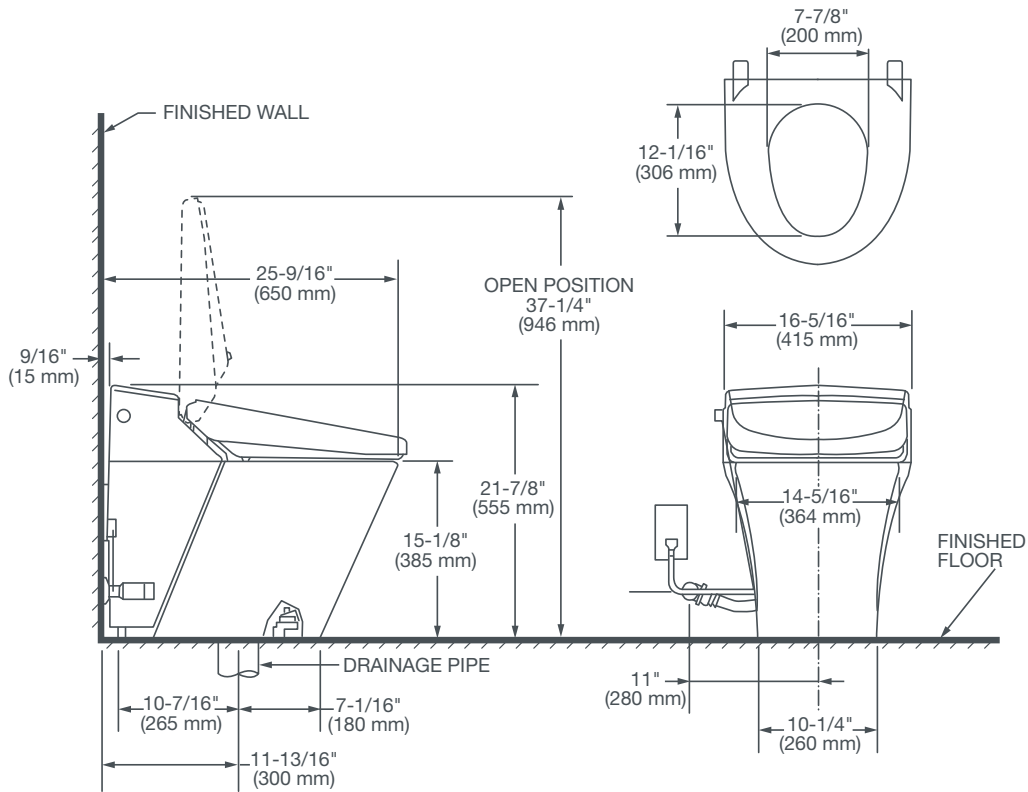


Meets the Americans with Disabilities Act Guidelines and ANSI A117.1 Requirements for Accessible and Usable Building Facilities-Check Local Codes.

ROUGH IN DIAGRAM SHOWN  
ON NEXT PAGE



# SPALET® INTEGRATED ELECTRONIC BIDET TOILET



**NOTES:**

This toilet is designed to rough-in at a minimum dimension of 12" (305 mm) from finished wall to C/L of outlet.

Supply not included with fixture and must be ordered separately.

Includes flex supply with integral shutoff valve, seat and bolt caps.

\* Dimensions shown for location of supply is suggested.

**IMPORTANT:**

Dimensions of fixtures are nominal and may vary within the range of tolerance established by ANSI Standard A112.19.2.

These measurements are subject to change or cancellation. No responsibility is assumed for use of superseded or voided pages.

PART OF LIXIL