

Used UV-C Lamp Disposal:

- Visit www.Earth911.com for your local or state waste management program and information about where to dispose the used UV-C Lamp.
- Contact your Local hardware stores, home improvement stores and other retailers who sell UV and fluorescent bulbs. Many stores allow customers to drop off used bulbs for recycling.
- If you cannot recycle, and if it is acceptable with your local agency, you may seal the bulb in a plastic bag and put in trash for collection.

Maintenance:

UV-C lamps should be replaced on an annual basis. While there still may be a visible blue light, this is not an indication of UV-C output (the UVC wavelength is invisible). Contact your local UV-C Air Sanitizer distributor.

EQUIPMENT WARRANTY

The Supplier warranty's to the original buyer that its Products shall be free from defects in material or workmanship under normal use and service for the periods of time set forth below. This warranty is contingent upon proper use of Products and will not apply if adjustment, repair or parts replacement is required because of an accident, unusual physical, electrical or electro-mechanical stress, neglect, misuse, failure of electric power, humidity control, transportation, unauthorized repair actions, or not installed or maintained in accordance with The Supplier's specifications hereunder, or where Product serial numbers have been altered, defaced, or removed. The Supplier's obligation under this warranty shall not arise until the Purchaser of the Product returns the defective part to Supplier or their authorized retailer or distributor. This warranty is limited to the repair and/or replacement of parts. This warranty does not cover any labor or subsequent damage incurred as the result of Product failure or indirectly arising from the design, construction, installation, servicing, or operation of Products. The Supplier's and its resellers' liability under this warranty shall in no event exceed the cost of goods sold under the original sale contract.

Under the conditions specified above, The Supplier warrants all Product fixtures for a period of two (2) year from date of purchase and all lamps for a period of 12 months from date of installation provided lamps are installed within 3 months from date of purchase. Buyer must provide proof of purchase. This is The Supplier's sole warranty. No warranties are extended beyond those described herein and it is expressly agreed that this warranty will be in lieu of all warranties of fitness and merchantability. The Supplier neither assumes, nor authorizes any person to assume for it, any obligation in connection with the Products. Buyer shall not return to The Supplier any allegedly defective goods without The Supplier's prior written authorization. This warranty may not be assigned or transferred.

Specifications subject to change without notice. © 2015 All Rights Reserved

IM-GNUVC-151

UV-C AIR SANITIZER

User Manual

GENERAL INSTALLATION INSTRUCTIONS

CAUTION! Never Expose Eyes or Skin directly to UV-C. Read all Materials before Starting.

Proof of purchase is required for Warranty. Staple receipt or proof of purchase to this manual for easy reference. Warranty non-transferable.

Application:



The UV-C Air Sanitizer delivers 20 watts of sanitizing UV-C power to heating and air conditioning units that are circulating air throughout the home. Its lamp and socket are water-resistant, and because it is powered by a 24V converter without danger of shock, fire or code issues becomes quite simple. It also makes for a safe and affordable installation that meets most electrical codes. The Air Sanitizer installs from the exterior of HVAC equipment. Simply create a 2 7/8" insertion hole (with the hole saw provided) at the intended site, mount the fixture and plug it to a suitable 110-120 volt wall outlet. **Fixture is meant to operate continuously (24/7/365) to avoid growth of mold and bacteria, etc. under optimum conditions even when A/C-Heating unit itself is off.**

SAFETY CONSIDERATIONS

Improper installation, adjustment, alteration, service, maintenance, or use can cause fire, electrical shock, or other conditions which may cause personal injury or property damage. If you have questions or difficulty in installation please consult with The Supplier for information or assistance. Follow all safety codes, wear safety glasses and work gloves. Read all instructions thoroughly

Understand the signal words DANGER, WARNING or CAUTION. These words are universally used for overall safety. DANGER identifies the most serious hazards, which will result in severe personal injury or death. WARNING signifies hazards, which could result in personal injury or death. CAUTION is used to identify unsafe practices, which would result in minor personal injury or product and property damage.

WARNING: Before installing or servicing this unit, turn off all power to both the heating/air conditioning unit and the wall outlet into which the Air Sanitizer will be plugged. There may be more than one (1) switch.

General:

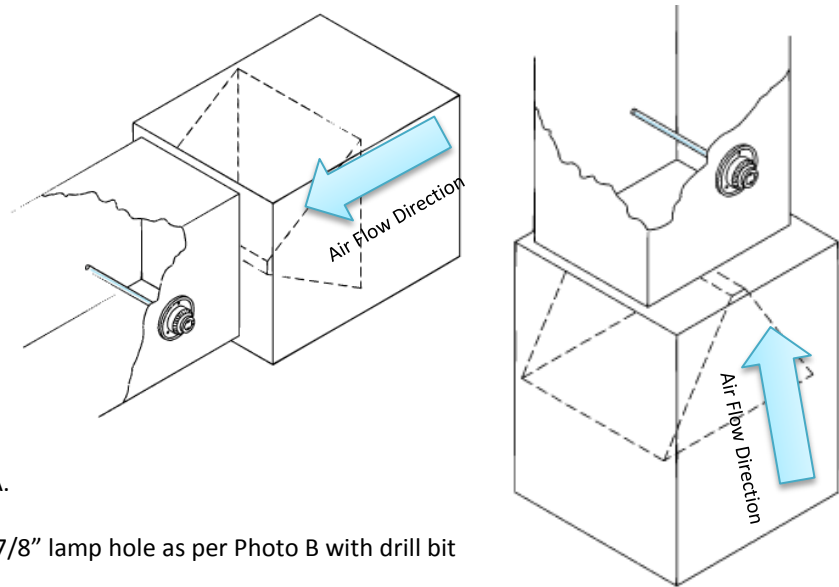
1. UV-C Air Sanitizer Fixtures can be used to bathe surfaces, the air or both with UV-C energy. The most common area for installation is in the supply duct and mixed air plenums (ductwork) or any combination of locations. If installed on the return side, it should be at least 18" from any filter. For a more Advanced Installation: if it is known **exactly** where the coils, refrigerant line, fan, drain pan and other component are located, and the installation hole can be drilled without affecting any of these or other components, Air Sanitizer can be installed near any of those components. The Supplier is not responsible for any damage to HVAC if installation is installed in Advanced Installation areas.
2. Check first for power availability of an 110V-120V wall socket.

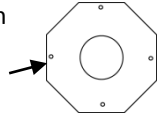
Power Ratings:

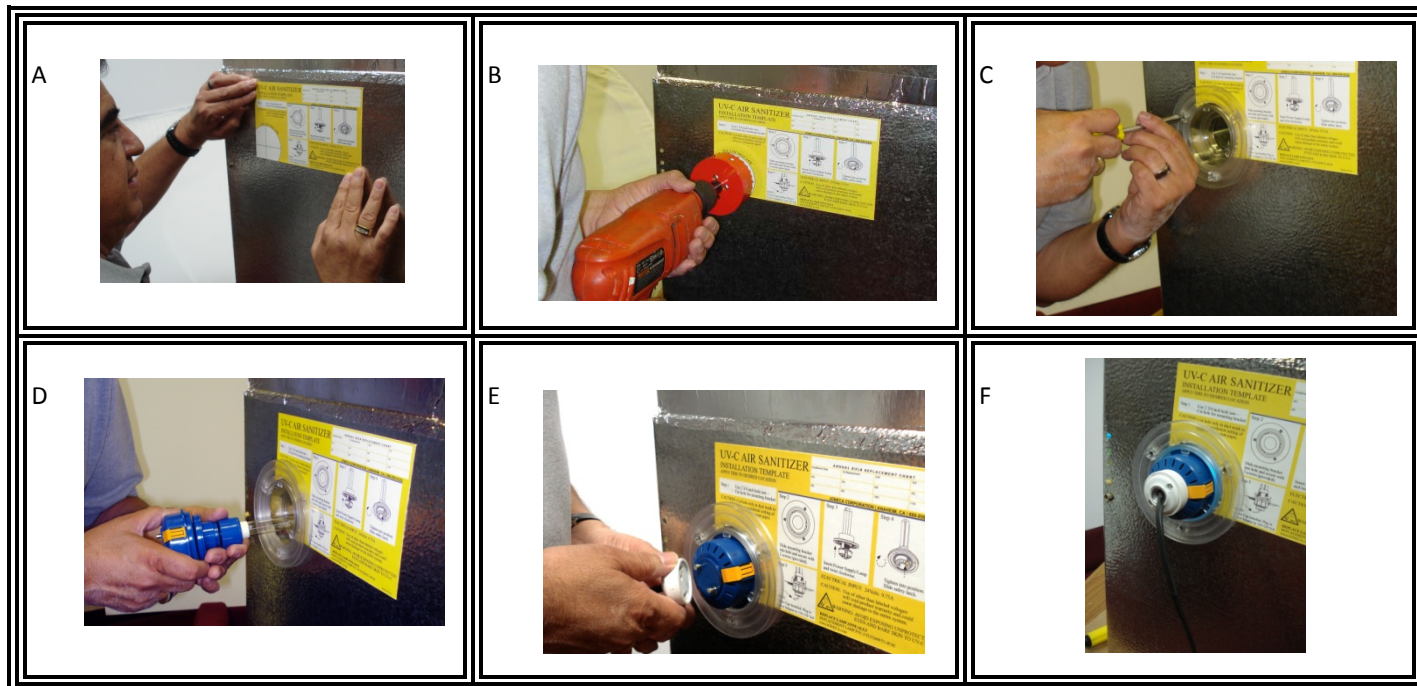
The UV-C AIR SANITIZER is rated at 24V AC/DC-50/60Hz, 1Amp which is stepped down from the 110V-120V wall outlet by a 24V Adapter.

! Installation (designed for metal ductwork and plenum)

! CAUTION: Plugging the 24V Adapter into an outlet other than 110V-120V volt labeled voltage voids product warranty and may do added damage to the entire system.



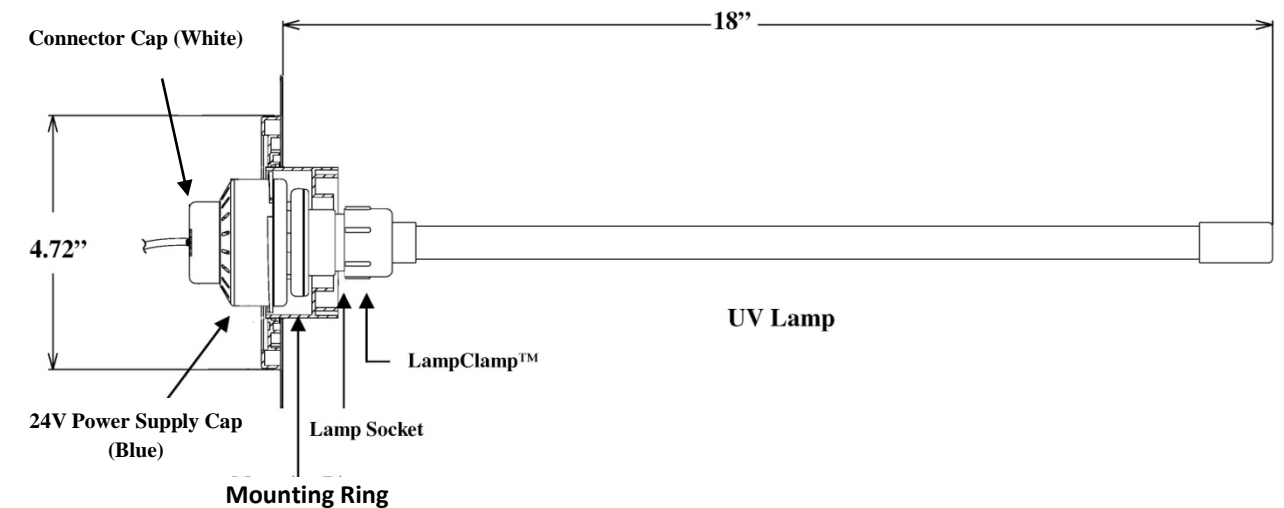
- Once the mounting location is identified, apply the yellow Installation Template sticker to the surface and use template to locate position to cut hole as per Photo A.
- Using the metal hole saw provided, cut a 2 7/8" lamp hole as per Photo B with drill bit provided.
- When installing on duct-board (as opposed to metal ductwork), use provided galvanized duct-board Octagon Mounting Plate to provide stronger mounting surface. Position Octagon Mounting Plate with duct-tape, no need to use screws. Apply supplied Installation Template on top of installed duct-board Octagon Mounting Plate. 
- Slide Mounting Ring into hole and affix with 3 Phillips screws (provided) as per Photo C.
- Remove LampClamp 'nut' from blue power supply. Insert UV Lamp into socket until it "clicks" in. Slide LampClamp over end of UV Lamp and finger tighten.
- Carefully insert fixture with lamp installed into duct thru Mounting Ring as per Photo D.
- Line up holes of white connector cap to metal pins on Power Supply as per Photo E.
- Turn clock-wise until Power Supply is fully installed after which the system should appear as in Photo F.
- Slide yellow Locking Clip to lock Power Supply into Mounting Ring.



! CAUTION: Do not drill into refrigerant line or fan, etc. CAUTION: After cutting hole avoid sharp edges.

Connecting Power:

- A 24V AC/DC Adapter is provided with your purchase. Plug adapter into 110V-120V wall socket and secure.



UV-C Lamp Replacement Instructions:

To remove old UV Lamp:

- Unplug the 24V AC Adaptor from the wall power supply outlet.
- Disconnect the white power supply Connector Cap from the blue Power Supply Cap by turning counter-clockwise
- Slide the yellow locking clip outward and turn the blue Power Supply Cap counter-clockwise. Carefully pull out blue Power Supply Cap & lamp assembly from the duct work through the Mounting Ring.
- Remove the Lamp Clamp Nut from the blue Power Supply Cap by turning the nut counter-clockwise. Remove the old UV Lamp.

To install the new UV Lamp:

- Insert the new UV Lamp 4-pins into the Lamp Socket. Slide the Lamp Clamp Nut from over the other end of the UV Lamp and finger tighten.
- Carefully insert the blue Power Supply Cap with lamp into the duct thru Mounting Ring. Turn clock-wise until blue Power Supply Cap is fully engaged. Slide yellow Locking Clip to lock blue Power Supply Cap onto Mounting Ring.
- Line up holes of the white Connector Cap to metal pins on blue Power Supply Cap, turn clock-wise until it is fully engaged. Plug the 24V power supply to the 110/120V wall power supply outlet.

NOTE: Do not remove the plastic sleeve on the lamp. This plastic sleeve protects the UV Lamp from shattering in case of accident.