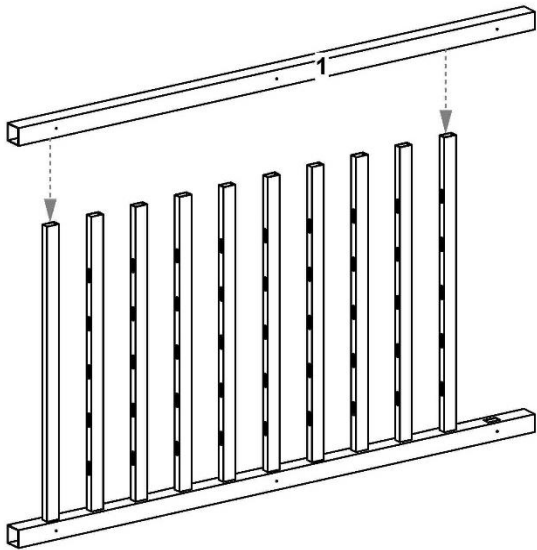


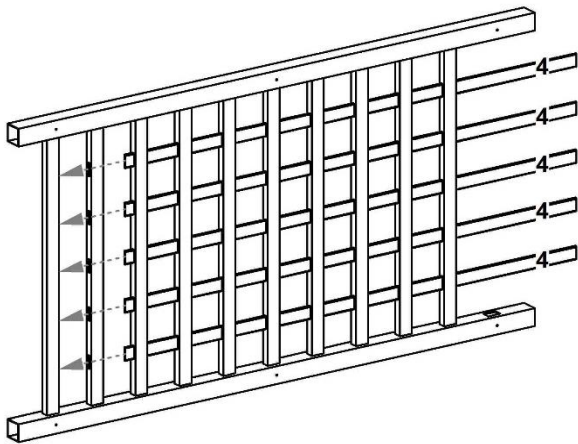
1

Lay out one post (part 1). Starting at one end, insert one top/bottom cross rail (part 2) and nine center cross rails (part 3).



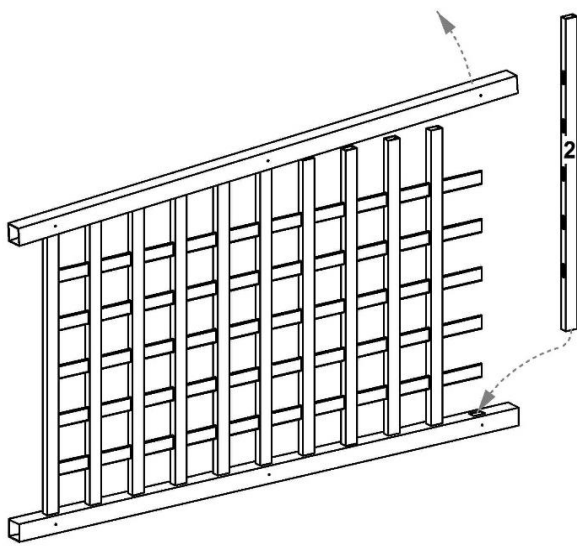
2

Slide remaining post (part 1) over corresponding cross rails.



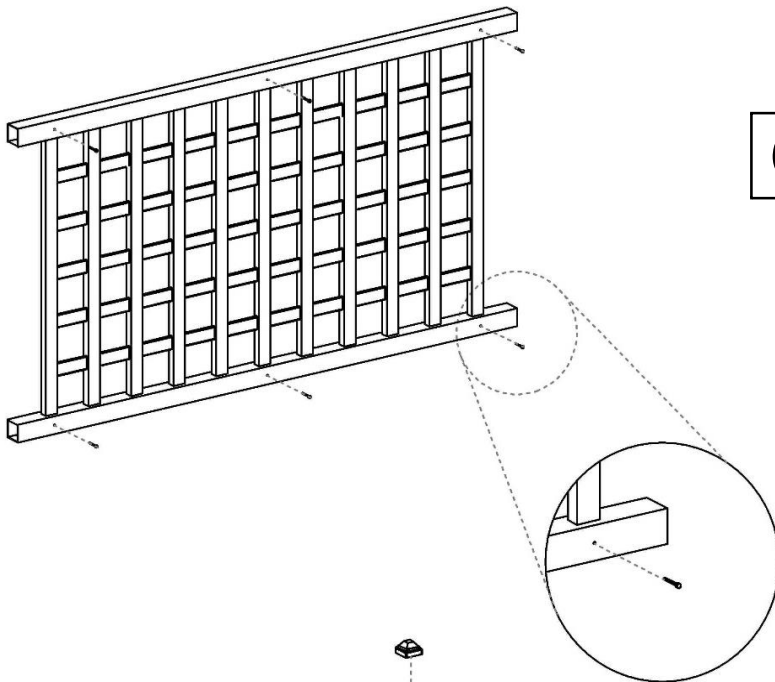
3

Insert vertical slats (part 4) through center cross rails and into bottom cross rail.



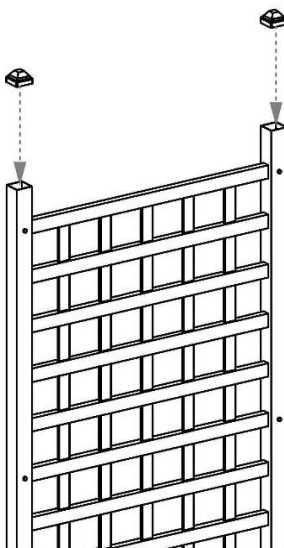
5

Separate top of posts just enough to insert remaining top/bottom rail (part 2).



6

Using 1 1/4" painted screws, screw together trellis. Be sure that all parts are fully inserted into posts before securing.



7

Using PVC, super or crazy glue; glue post caps onto posts.