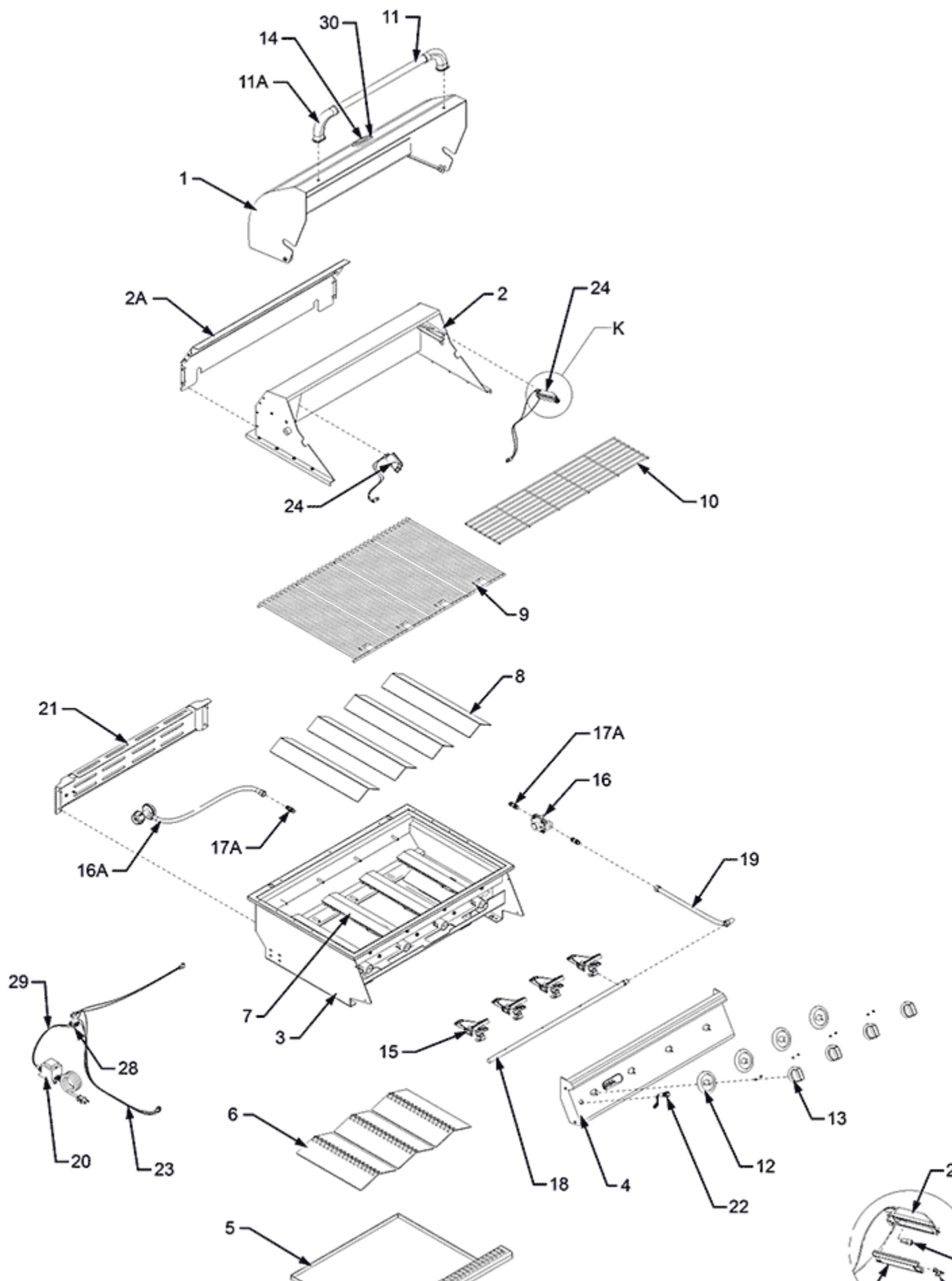


Limited Warranty

Bull Outdoor Products, Inc. warrants, to the original purchaser of the Outdoor Gas Grill, that when subject to normal residential use it is free from defects in workmanship and materials for the periods specified below. This warranty excludes grills used in rental or commercial applications. It does not apply to rust, corrosion, oxidation, neglect of maintenance, or discoloration, which may occur due to moisture or overheating. It does not cover labor or labor related charges. There will be a shipping and handling charge for the delivery of the warranty part(s). The warranty is only valid at the original site of delivery with proof of purchase of item(s).

Please select your grill to reference the Warranty Information and Period of each part to your Grill Head.

-Lonestar Select (87048/87049)



REF #	PARTS #	DESCRIPTION	QTY	WARRANTY PERIOD
1	47001	LID - FRONT	1	1 yr
2	87101	LID - REAR	1	1 yr
2A	47012	COVER - REAR LID	1	1 yr
3	47003	INSERT ASSEMBLY	1	Lifetime
4	87102	CONTROL PANEL	1	1 yr
5	47011	GREASE TRAY	1	1 yr
6	16520	HEAT SHIELD	3	3 yrs
7	44305	WELDED STAINLESS STEEL BURNER	4	5 yrs
8	16521	FLAME TAMER	4	3 yrs
9	16517	COOKING GRATE	4	Lifetime
10	47004	WARMING RACK	1	3 yrs
11	16523	LID HANDLE CENTER BAR	1	3 yrs
11A	16522	LID HANDLE END CAP	2	3 yrs
12	16629	BEZEL - MAIN BURNER	4	1 yr
13	16613	KNOB - MAIN BURNER	4	1 yr
14	16509	TEMPERATURE GAUGE	1	1 yr
15	16525(LP) / 16524(NG)	GAS VALVE - MAIN BURNER	4	1 yr
16	16507	REGULATOR - NATURAL GAS MODEL ONLY	1	1 yr
16A	16508	REGULATOR - LIQUID PROPANE MODEL ONLY	1	1 yr
17	16599	REGULATOR ADAPTER - NATURAL GAS MODEL ONLY	2	1 yr
17A	16598	FLARE TO FLARE UNION - LIQUID PROPANE MODEL ONLY	1	1 yr
18	26103	MANIFOLD	1	3 yrs

19	*47006	STAINLESS FLEX TUBE	1	1 yr
20	*16534	TRANSFORMER	1	1 yr
21	47008	BACK PANEL	1	1 yr
22	*16612	PUSH BUTTON LIGHT SWITCH	1	1 yr
23	*16626	LIGHT WIRE HARNESS	1	1 yr
24	*16627	LIGHT HOUSING	2	1 yr
25	*16530	LIGHT LENS	2	1 yr
26	*16529	LIGHT LENS CLIP	2	1 yr
27	16532	LIGHT BULB	2	N/A
28	16592	LIGHT BINDING POST	1	1 yr
29	16595	TRANSFORMER PIGTAIL	1	1 yr
30	16673	TEMPERATURE GAUGE BEZEL	1	1 yr

If you have a discontinued model or do not see your model listed, please contact Bull at (909)770-8626 Monday through Friday 5 a.m. to 5 p.m. P.S.T. (Excluding Holidays). If you would like to download a complete grill manual, please go to the download section to the corresponding grill head on the Bullbbq Website.

Filing a Warranty Claim

To file a Warranty Claim, please complete the following form and attach a copy of your receipt or proof of purchase.

- [Grill Warranty Claim Form](#)

The serial number on the grill is located in two locations: Reverse Side of the Drip Tray or on the left interior panel of the insert assembly. For complete details on locating the serial number, please refer to your Grill Head Manual.

Once the completed form has been submitted, your claim will be evaluated, processed, and a confirmation e-mail will be sent to the email address provided. Please allow 3 Business Days for all claims to be processed. If additional information is requested by Bull Outdoor Products or an incomplete form is submitted, a delay or denial of the claim might occur.