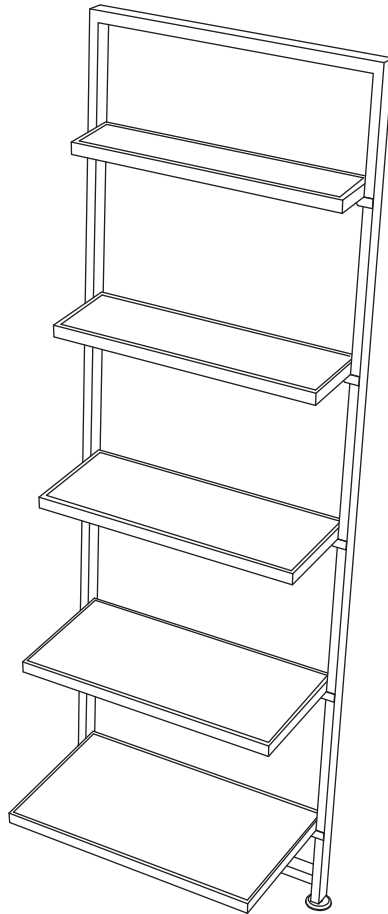


# CONVENIENCE CONCEPTS

## LAREDO 5 TIER LADDER BOOKCASE

413155



### ASSEMBLY INSTRUCTIONS

---

We have designed our furniture with you , the customer in mind . Our clear , easy to follow , step by step instructions will guide you through the project from start to finish . Feel confident that this will be a fun and rewarding project . The final product will be a quality piece of furniture that will go together smoothly and give years of enjoyment .

---



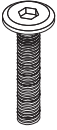



Please do not return to the store

Broken or missing parts?

Need help with assembly?

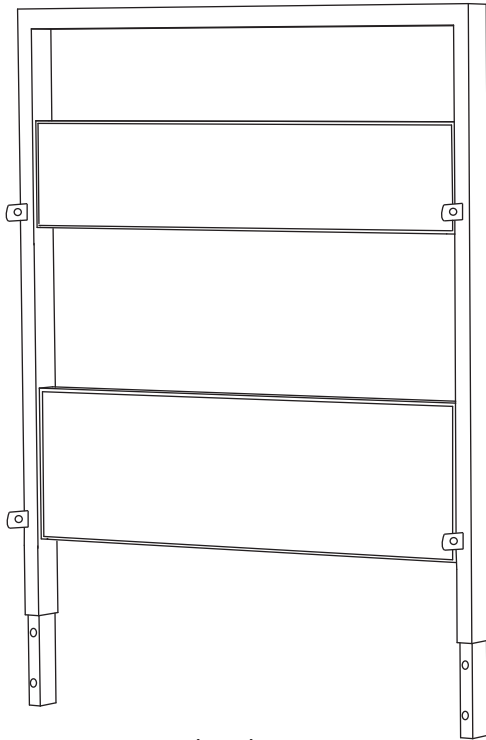
If you have any questions just call 1-800-468-6447 or email us at [parts@convenience-concepts.com](mailto:parts@convenience-concepts.com)

## Hardware List

<b>A</b> 	<b>B</b> 	<b>C</b> 	<b>D</b> 
Allen Bolt (14pcs)	Allen Wrench (1pc)	Screw ( 2pcs )	Anchor (2pcs)

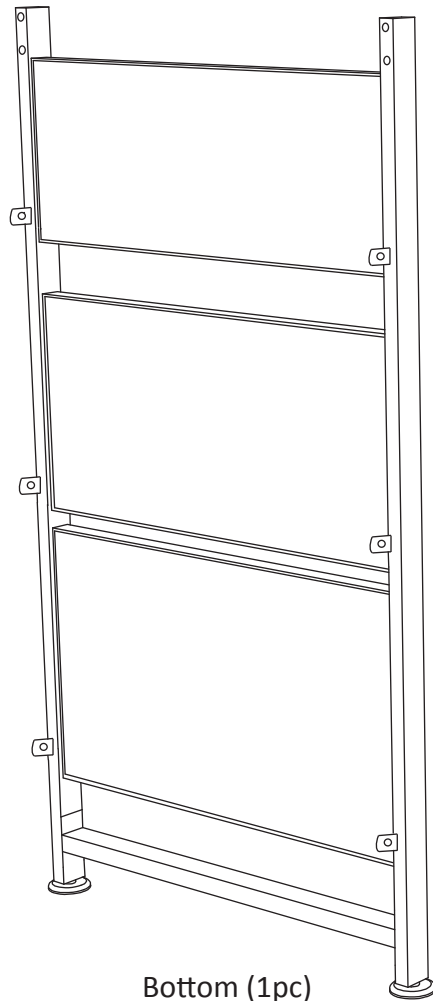
## Panel List

①



Top (1pc)

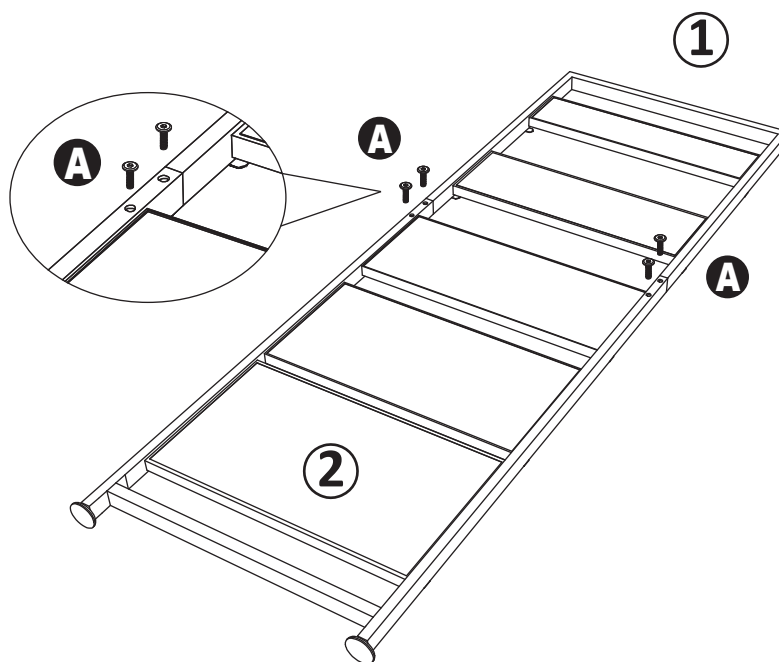
②



Bottom (1pc)

## Step 1

1. Connect Top ① and Bottom ② together with Long Screws (A) and Allen Wrench (B) as shown.



A



x 4

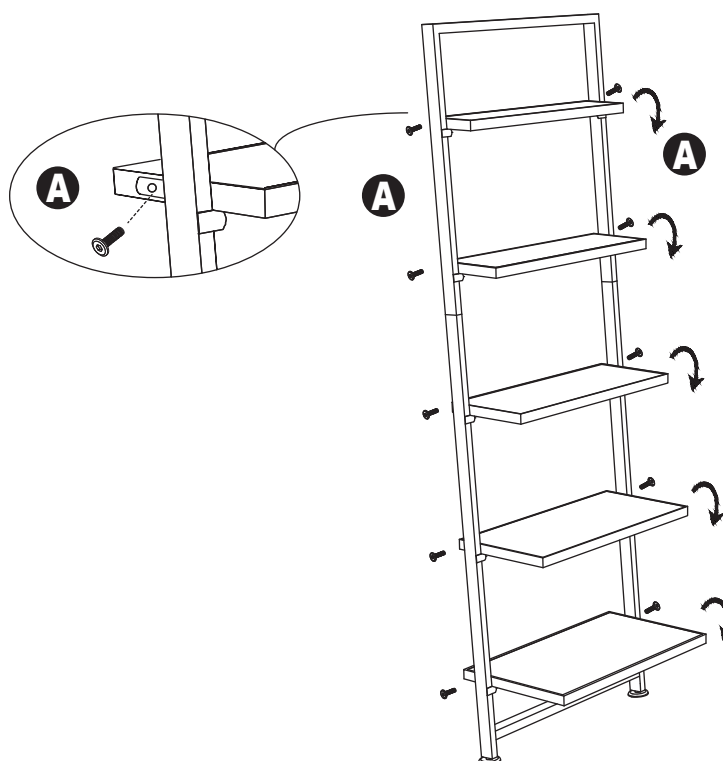
B



x 1

## Step 2

1. Rotate shelves into proper position.  
2. Secure shelves into place using Allen Bolts (A), as shown



A



x 10

B



x 1

## Step 3

1. Place unit in desired location and mark Top Bracket holes on wall with pencil then remove unit.
2. Drill hole slightly smaller than Anchors (D) into drywall and gently tap anchor into hole.
3. Secure unit to the wall using Top **1** and Medium Screws (C).

