

Quick-Start Guide

I/O Linc™ – INSTEON® to Somfy RF Drape Control Kit

Model: 318276I



Introduction

Included in this kit are the INSTEON I/O Linc and the Somfy Dry Contact Interface, which will work together to allow you to open or close your drapes with the tap of any button on a Linked INSTEON Controller.

What is Included

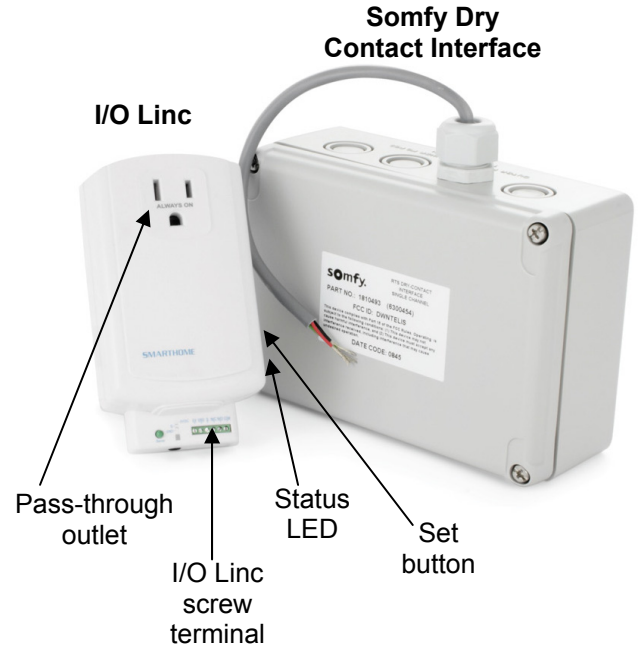
- INSTEON I/O Linc
- Somfy Dry Contact Interface
- 1.5mm flathead screwdriver

Tools Needed

- Needle-nose pliers
- Phillips screwdriver

I/O Linc Screw Terminals

5V	GND	Sense	N/C	N/O	Common
5 Volts	Ground	Sensor input	Normally closed	Normally open	Switches between N/O and N/C



Installation

1) The following wires should already be connected from the Somfy Dry Contact Interface to the I/O Linc terminals. Confirm the wires are connected and reconnect any wires as needed:

- Thick bundle:
 - Black to N/C
 - White to N/O
- Thin bundle:
 - Black to GND
 - Red to 5V

NOTE: During the programming of the Somfy shades, be sure the green wire is disconnected (you will connect the green wire to I/O Linc as the last step).

- 2) Use a Phillips screwdriver to remove the gray Somfy Interface lid
- 3) Plug I/O Linc into an unswitched AC outlet (within 65 feet of the Somfy drapes for the best radio frequency (RF) communication results)

The I/O Linc Status LED will turn on and blink dimly depending on INSTEON traffic

- 4) Reference the Somfy Interface Operating Instructions to program the unit
- 5) Use pliers to connect the Somfy Interface's green wire to the I/O Linc COM terminal (see Diagram 1 on the next page)

NOTE: I/O Linc comes from the factory in Latching Mode, which is the mode I/O Linc must be in to correctly operate your Somfy drapes.

When you send the ON command, the drapes will open (unless you altered the factory-shipped configuration). When you send an OFF command the drapes will close.

Wiring Drapery Control Kit to I/O Linc

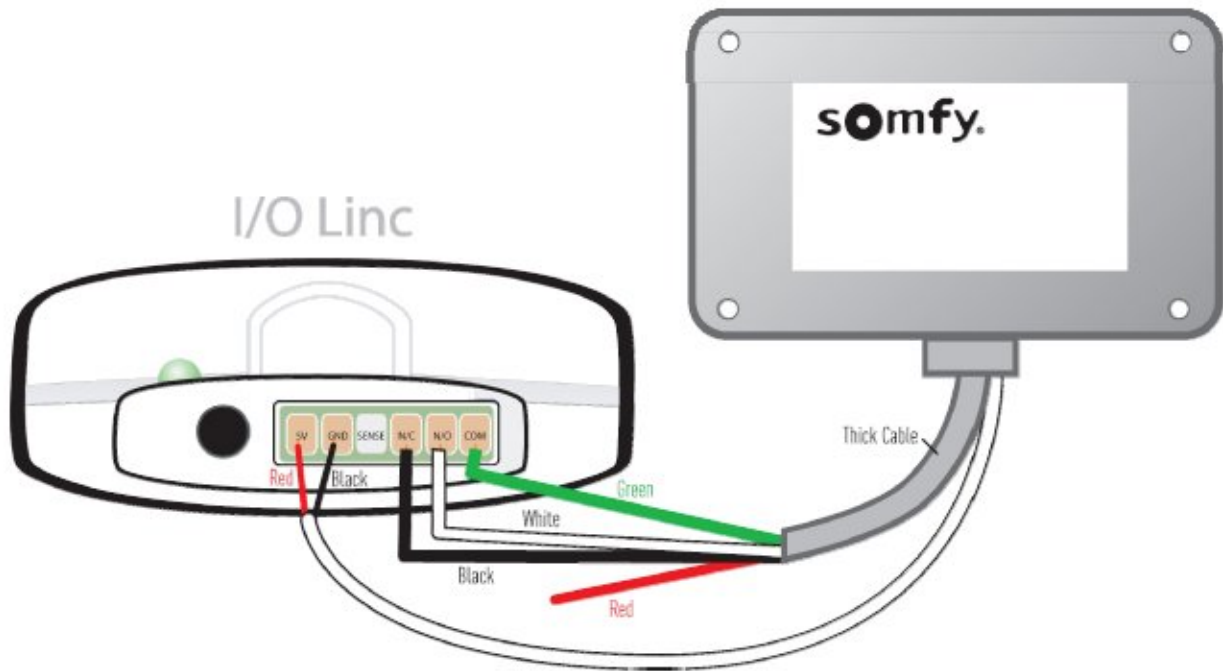


Diagram 1

Controlling Your Drapes from an INSTEON Controller

- 1) Tap the Set button on I/O Linc to set the desired state. For example, if you want an ON command to open the relay, set the relay to be open. If you want an ON command to close the relay, set the relay to be closed.
The I/O Linc Status LED will be dim if the relay is open or bright if the relay is closed
- 2) Set the Controller to Linking Mode*. (For most Controllers, press & hold an On or Scene button for 10 seconds or the Set button for 3 seconds.)
- 3) Press & hold the Set button on I/O Linc until it beeps (3 seconds)
- 4) Confirm that Linking was successful by tapping the button you just Linked to on the Controller
The drapes will open and close appropriately

Complete Instructions, Troubleshooting, and Tech Support

I/O Linc Owner's Manual: www.smarthome.com/manuals/2450.pdf

Call: INSTEON Gold Support Line at 800-762-7845

*Setup Modes will automatically time out after 4 minutes.