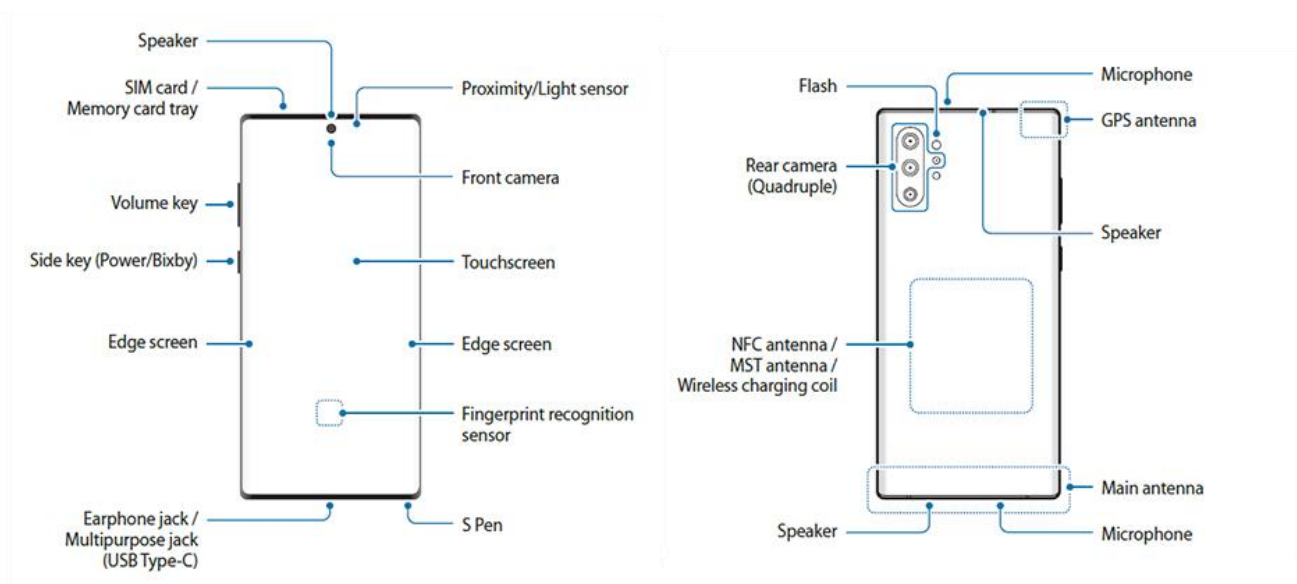


# Galaxy Note10, Note10+ & Note10 5G: Device Layout

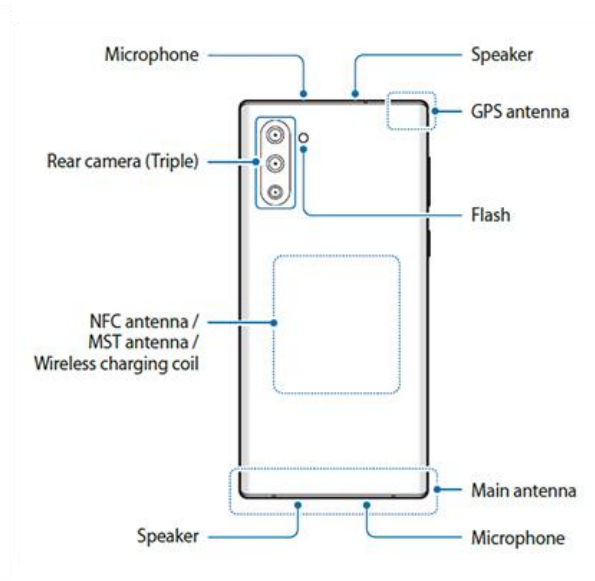
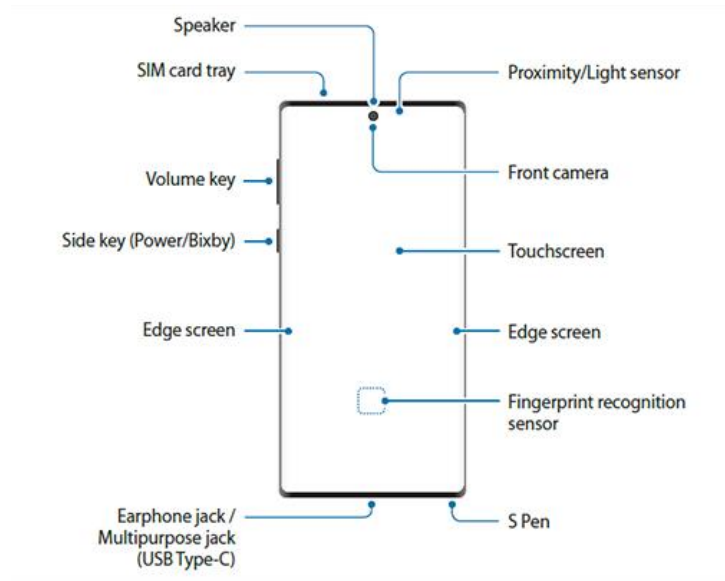
Last modified : Aug 20. 2019

## Device Layout

### Galaxy Note10+ & Note10 5G



### Galaxy Note10

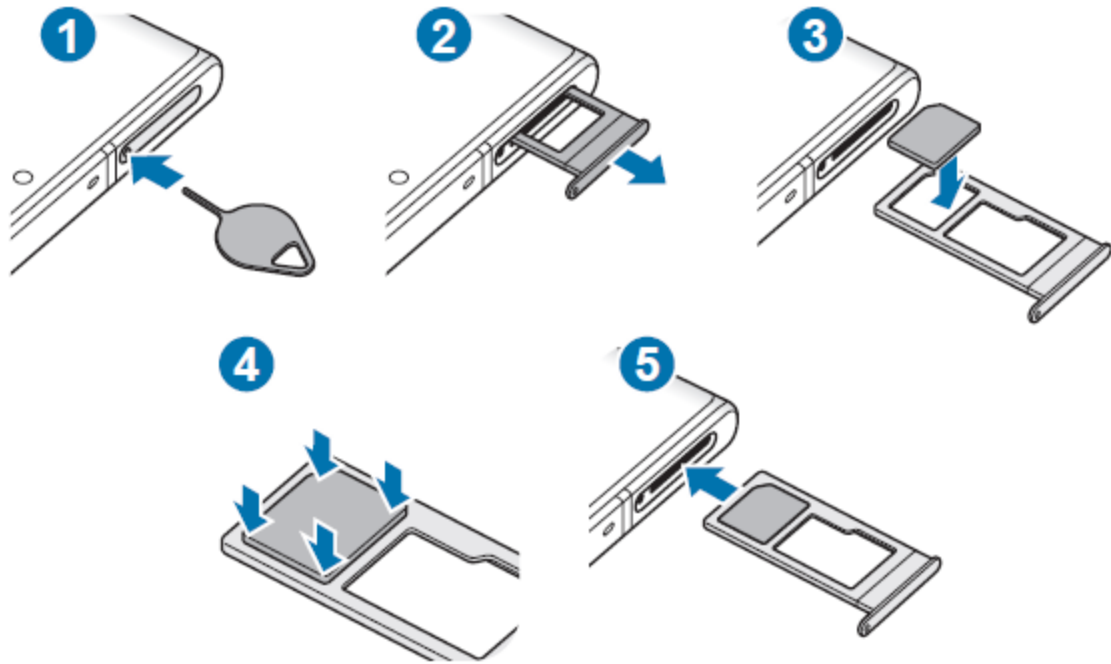


## Inserting the SIM card

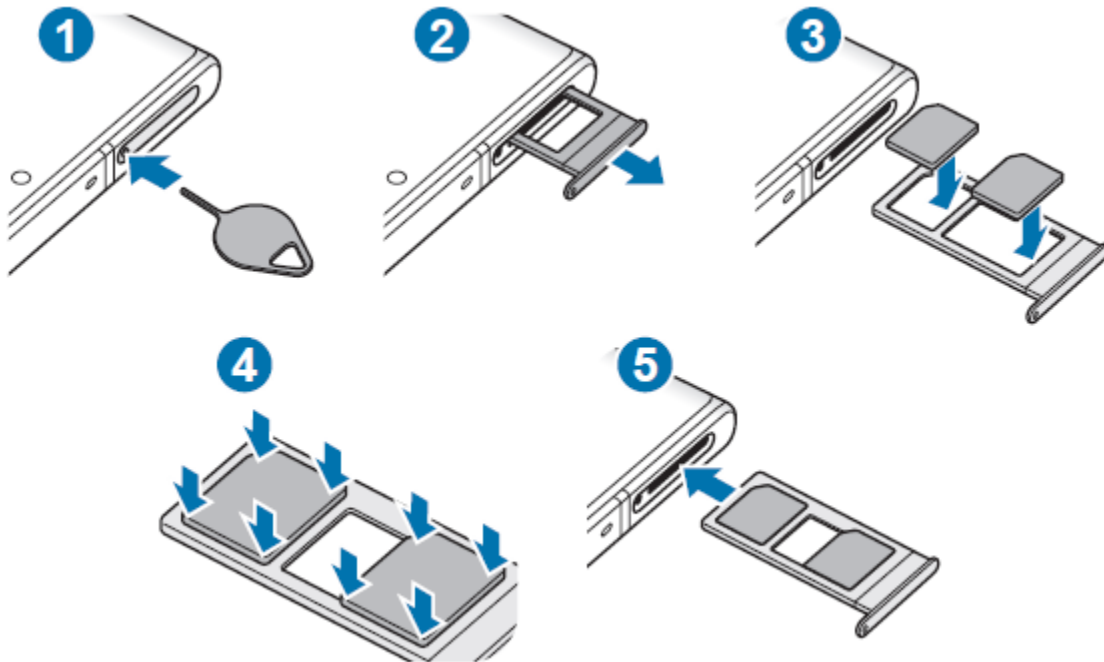
For Australian variant Galaxy devices, the Galaxy Note10 series are compatible with a single or hybrid nano sim which can be purchased from your local service provider or retailer.

**Please Note:** The Galaxy Note10 and Note10 5G only come in a single sim and the Galaxy Note10+ comes in both single and hybrid sim. It is recommended to confirm with your place of purchase if they offer single or hybrid variant devices.

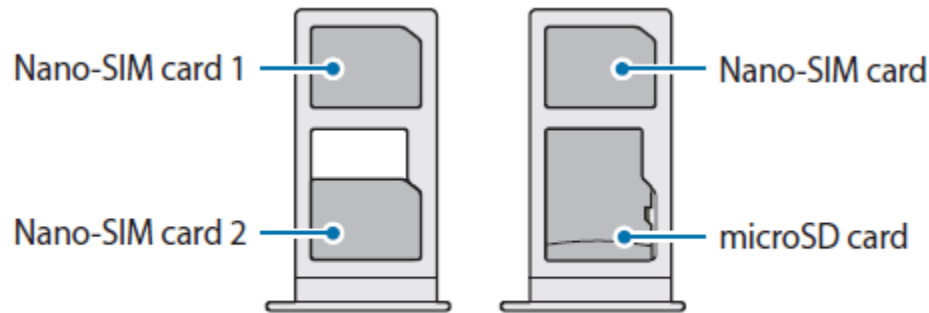
## Single nano-SIM



### Hybrid nano-SIM



### Correctly inserting a Hybrid SIM



**1 Insert the ejection pin into the hole on the tray to loosen the tray.**

Ensure that the ejection pin is perpendicular to the hole, otherwise the device maybe damaged.

**2 Pull out the tray gently from the tray slot.**

**3 Place the SIM card on the tray with the gold-coloured contacts facing downwards.**

**4 Gently press the SIM card into the tray to secure it.**

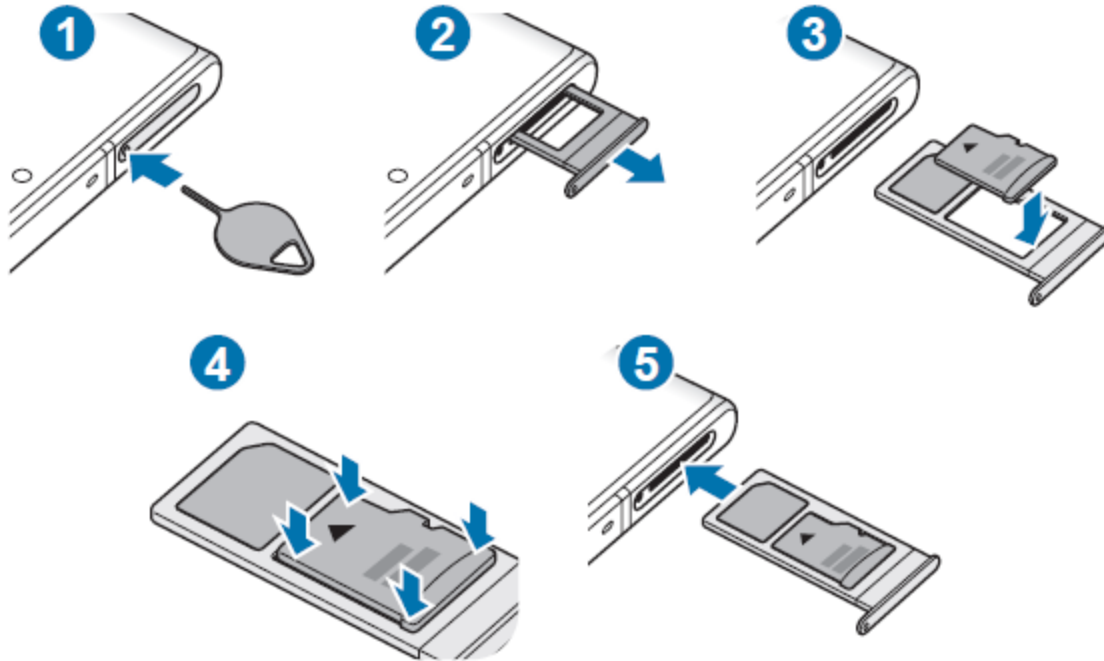
If the card is not fixed firmly into the tray, the SIM card may leave or fall out of the tray.

**5 Insert the tray back into the tray slot.**

- If you insert the tray into your device while the tray is wet, your device may bedamaged. Always make sure the tray is dry.
- Fully insert the tray into the tray slot to prevent liquid from entering your device.

## Inserting an SD Card

The Galaxy Note10+ and Note10+ 5G can take up to 1TB worth of external storage however the Galaxy Note10 doesn't support a micro SD card. For more information regarding formatting or correctly ejecting your Micro SD Card, check out our guide [Formatting and Removing MicroSD card from Samsung Phone](#).



**1 Insert the ejection pin into the hole on the tray to loosen the tray.**

Ensure that the ejection pin is perpendicular to the hole, otherwise the device may be damaged.

**2 Pull out the tray gently from the tray slot.**

When you remove the tray from the device, your mobile data connection will be disabled until the tray is reinserted.

**3 Place a memory card on the tray with the gold-coloured contacts facing downwards.**

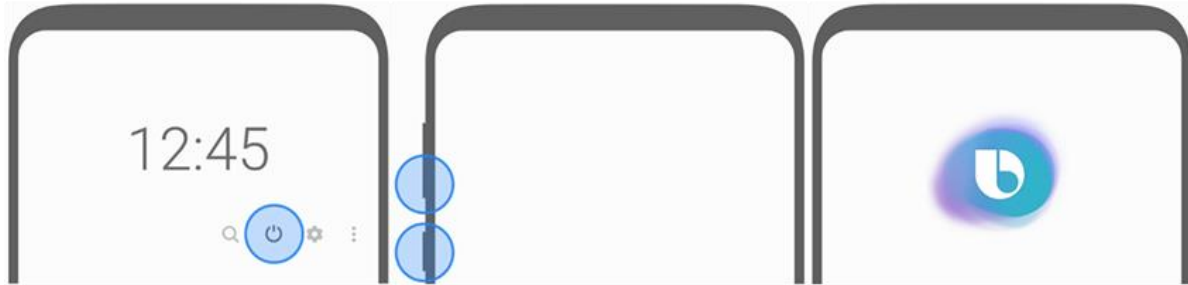
**4 Gently press the memory card into the tray to secure it.**

If the card is not fixed firmly into the tray, the memory card may leave or fall out of the tray.

**5 Insert the tray back into the tray slot.**

- If you insert the tray into your device while the tray is wet, your device may be damaged. Always make sure the tray is dry.
- Fully insert the tray into the tray slot to prevent liquid from entering your device.

## **Powering the Device On / Off**



As the Power and Bixby functions have now been intergrated to one button it may seem tricky powering your device on or off. Fortunately, there are a few different ways of powering your Galaxy Note10 off. Either through your Quick Panel, using the hard keys or activiating Bixby Voice and saying "**Turn off the phone.**" Click one of the drop down menus below to learn all the different ways of powering down your Galaxy Note10.