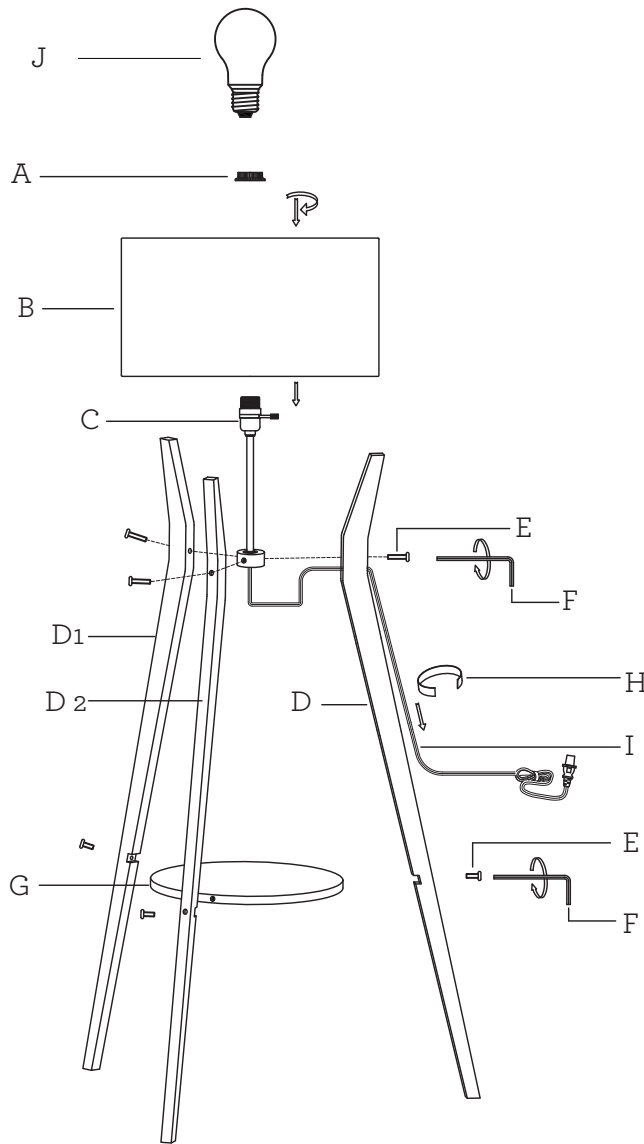


Shelf Floor Lamp

ASIN# B073P2CP5G

ITEM#AF41058



1. Remove all parts and lay on a flat surface. Put felt pads on feet of (D), (D1), and (D2).
2. Pull slack of power cord (I) through wooden foot (D) hole carefully. Then fasten the wooden tripod (D) with hex wrench (F) one by one.
3. Fasten the wood shelf (G) into the tripod and using screw nuts (E) with hex wrench (F) clockwise to tighten one by one .
4. Tie power cord (I) on the wooden leg (D) with velcros (H).
5. Unscrew the socket ring (A) and place shade (B) onto the socket (C).Then tighten clockwise with socket ring (A) to secure shade.
6. Screw bulb (J) into socket (C) clockwise to tighten.

GENERAL PRODUCT INFORMATION:

This product is suitable for dry locations only.



IMPORTANT SAFETY INSTRUCTIONS:

This portable lamp has a polarized plug (one blade is wider than the other) as a feature to reduce the risk of electric shock. This plug will fit in a polarized outlet only one way. If the plug does not fit fully in the outlet, reverse the plug. If it still does not fit, contact a qualified electrician. Never use with an extension cord unless plug can be fully inserted. DO NOT ALTER THE PLUG.

BULB TYPE: (1) 9 watt standard LED bulb included.

A Socket ring  1PC	B Shade  1PC	C Socket  1PC	D Wood Leg  3PCS	E Hex socket cap screw  6PCS	F Hex Wrench  1PC	G Wood Shelf  1PC	H Velcro  2PCS	J Bulb  1PC
--	--	---	--	--	---	---	--	---