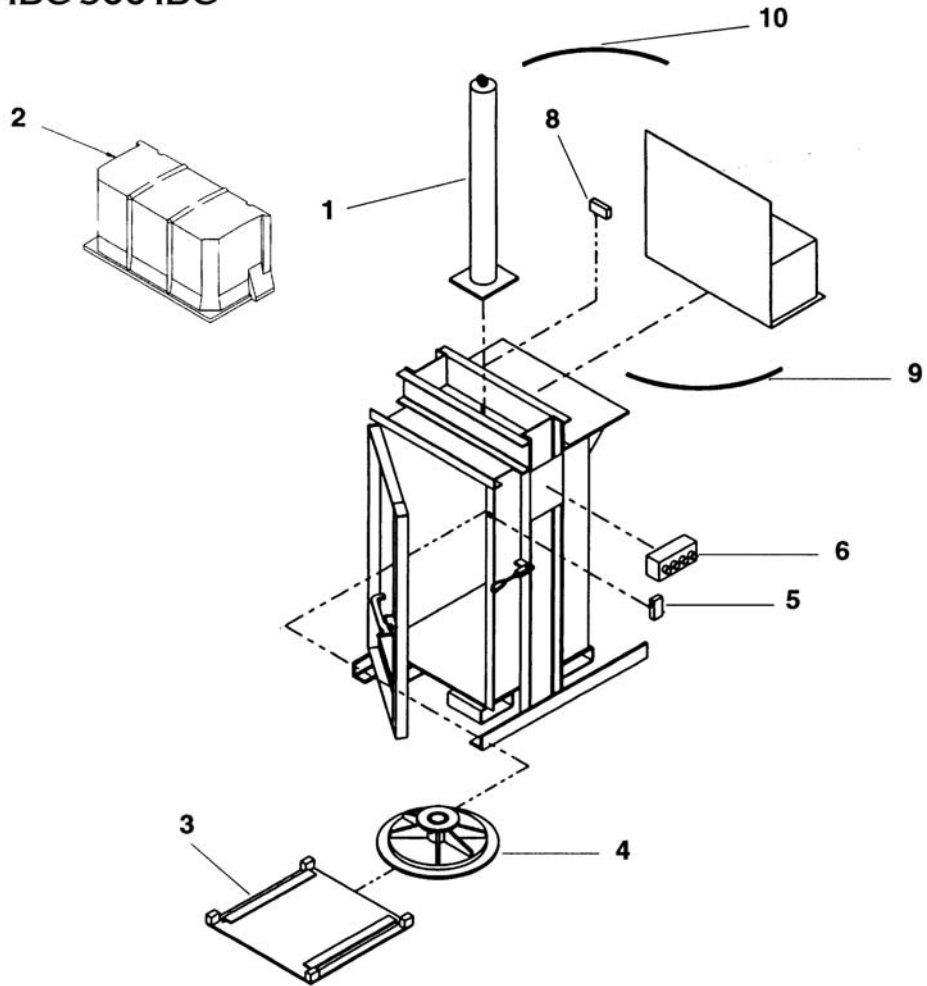


HDC-900-IDC

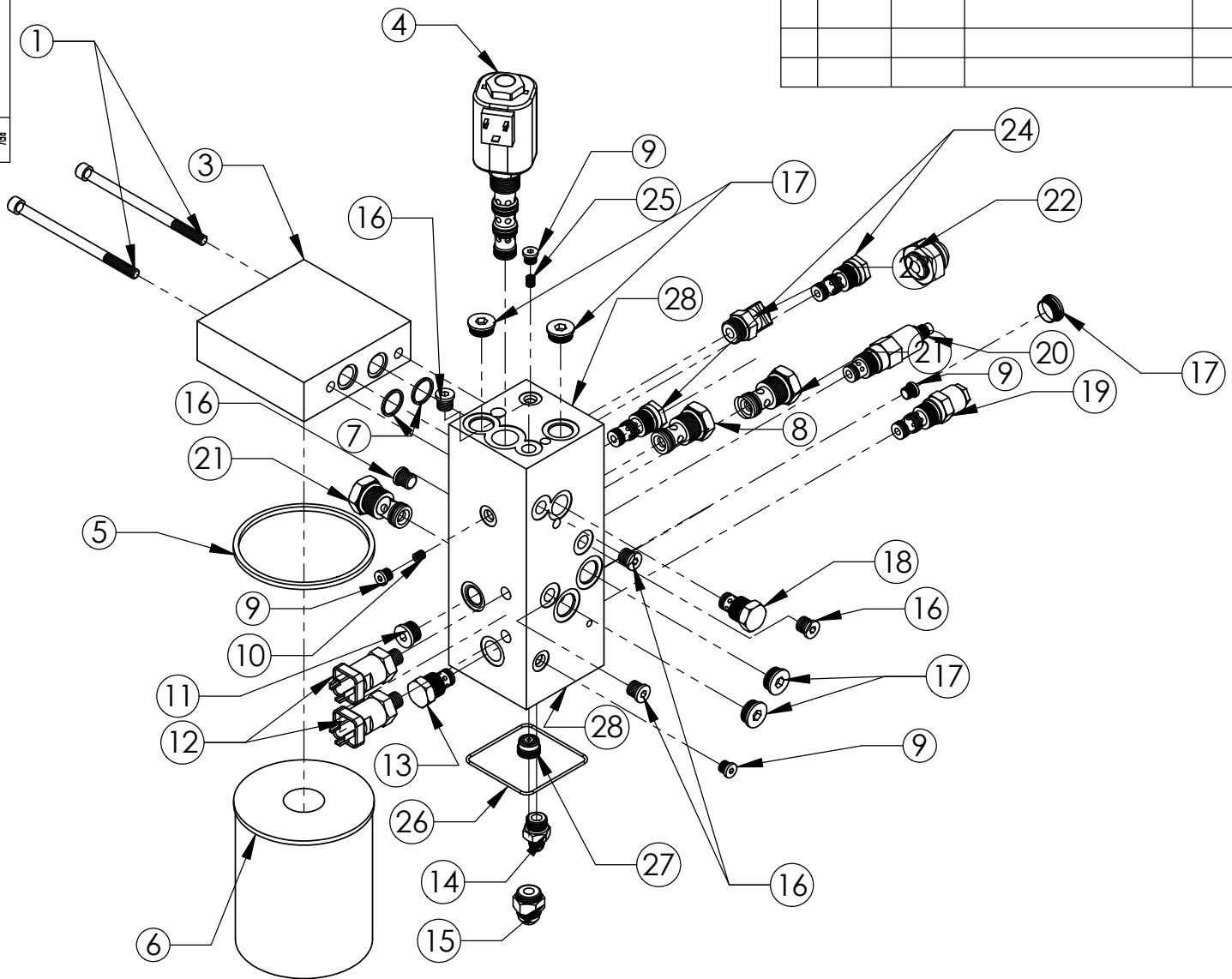


Ref. #	Model #	Generic Part #	Eng. Part #	Description
1	HDC-900-IDC	HDC9-CYL	99-021-926	Hydraulic Cylinder 4 X 36 X 2.5
	HDC-900-IDC	21267-9500	21267-9500	Seal Kit For 21730-9500 Cylinder
2	HDC-900-IDC	HDC9-WC	22-024-002	Weather Cover
3	HDC-900-IDC	HDC9-DCP	22-514-005	Drum Crushing Platen
4	HDC-900-IDC	HDC9-DCH	22-514-004	Drum Compacting Head
	HDC-900-IDC		22-514-007	Platen & Head Combination
5	HDC-900-IDC	HDC9-PS	01-022-021	Plunger Switch
6	HDC-900-IDC	HDC9-CB	22-529-001	Control Box (Assembly)
8	HDC-900-IDC	HDC9-RS	01-022-001	Roller Switch
9	HDC-900-IDC	HDC9-HHB	22-623-008	Hydraulic Hose (Bottom)
10	HDC-900-IDC	HDC9-HHT	22-623-009	Hydraulic Hose (Top)

REV.	DWG #:	REV.	ECR #	DATE	REVISIONS	INITIAL

DRAWING NUMBER 99-999-999

REV:



ITEM	REQ	PART NO.	DESCRIPTION	ITEM	REQ	PART NO.	DESCRIPTION
1	2	23325	3/8-16 X 6" SHCS W/ HCLW	16	5	6408-H-06	PLUG
2	2		3/8" HCLW	17	5	6408-H-10	PLUG
3	1	22-127-006	MANIFOLD, FILTER BODY	18	1	99-153-012	CHECK
4	1	99-153-036	4 WAY VALVE	19	1	99-153-028	UNLOADING VALVE
5	1	SQ-351-N70	FILTER GASKET	20	1	99-153-037	RELIEF VALVE
6	1	22-031-008	FILTER	21	2	99-153-013	CHECK VALVE
7	2	2-117	O RING	22	1	6400-16-12	FITTING
8	1	99-153-044	CHECK VALVE	23	1	6802-10-10	FITTING
9	4	6408-H-04	PLUG	24	2	99-153-031	PO CHECK
10	1	22-031-012	ORIFICE	25	1	06-031-002	ORIFICE
11	1	6408-H-08	PLUG	26	1	2-154	O RING
12	2	99-022-004	PRESSURE SWITCH	27	1	99-153-043	CHECK VALVE
13	1	99-153-035	CHECK VALVE	28	1	22-127-005	MANIFOLD
14	1	6400-10-12-0	FITTING				
15	1	6400-10-10-0	FITTING				

REMOVE ALL BURRS AND SHARP EDGES

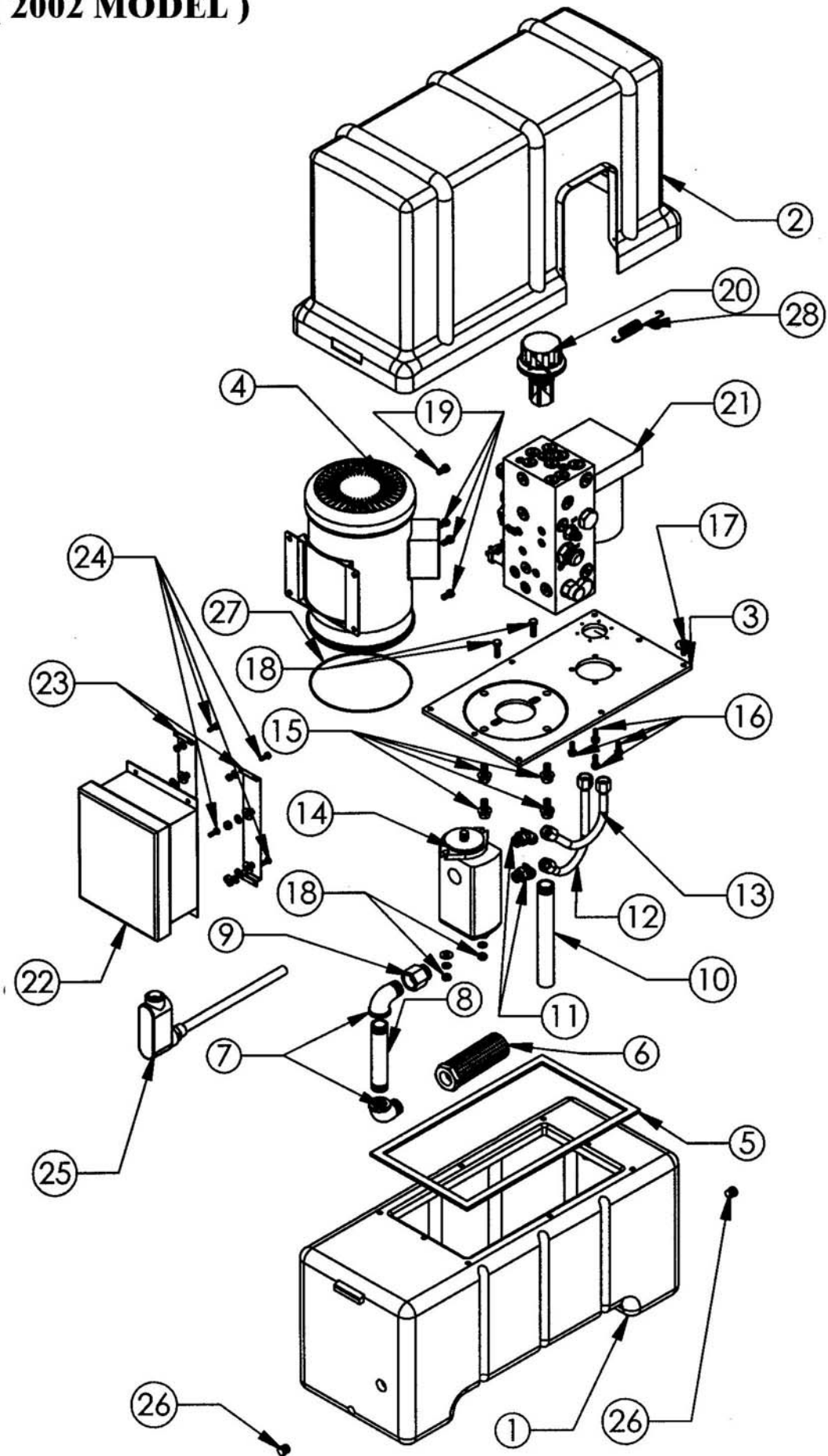
CONCENTRIC	.006 TIR	.060 TIR
ANGLES	+/- 0° 30'	+/- 1° 0'
DECIMALS	x.xxx +/- .005 x.xx +/- .010 x.x +/- .025	+/- .015
FRACTIONS	+/- 1/32	+/- 1/16
TOLERANCE	MACHINE	WELDMENT

T & S EQUIPMENT COMPANY

SCALE: NTS	APPROVED BY:	DRAWN BY: J.YOUNG
DATE:		SIZE: A
MATERIAL:		DRAWING NUMBER: REV:

THIS PRINT IS CONFIDENTIAL AND IS THE PROPERTY OF T & S EQUIPMENT CO. THIS PRINT SHALL NOT BE USED, COPIED OR REPRODUCED IN WHOLE OR IN PART NOR SHALL THE CONTENTS BE REVEALED ANY MANNER TO ANYONE UNLESS WRITTEN PERMISSION IS OBTAINED FROM T & S EQUIPMENT CO.

HDC-900 POWER UNIT (2002 MODEL)



Ref. #	Model #	Generic Part #	Eng. Part #	Description
1	HDC-900-VESTIL POWER UNIT-A		22-023-004	Reservoir (Plastic)
2	HDC-900-VESTIL POWER UNIT-A		22-024-003	Cover (Plastic)
3	HDC-900-VESTIL POWER UNIT-A		22-031-010	Reservoir Lid (Adaptor Plate)
4	HDC-900-VESTIL POWER UNIT-A		99-135-012	Electric Motor
5	HDC-900-VESTIL POWER UNIT-A		LP-113	Gasket Material
6	HDC-900-VESTIL POWER UNIT-A		PS-08	Strainer
7	HDC-900-VESTIL POWER UNIT-A		1 ST EL	Street Elbow 1"
8	HDC-900-VESTIL POWER UNIT-A		1"X7"NIPPLE	Pipe Nipple 1" x 7"
9	HDC-900-VESTIL POWER UNIT-A		6405-16-16-0	Adaptor
10	HDC-900-VESTIL POWER UNIT-A		3/4"NIPPLE	Pipe Nipple 3/4"
11	HDC-900-VESTIL POWER UNIT-A		6802-10-10NWO	Fitting
12	HDC-900-VESTIL POWER UNIT-A		22-623-019	Tube
13	HDC-900-VESTIL POWER UNIT-A		22-623-018	Tube
14	HDC-900-VESTIL POWER UNIT-A		SPD11608-1H9R	Pump
15	HDC-900-VESTIL POWER UNIT-A		11207	Bolt
15-A	HDC-900-VESTIL POWER UNIT-A		33625	Lock Washer
16	HDC-900-VESTIL POWER UNIT-A		11022	Bolt
16-A	HDC-900-VESTIL POWER UNIT-A		33620	Lock Washer
17	HDC-900-VESTIL POWER UNIT-A		11055	Bolt
17-A	HDC-900-VESTIL POWER UNIT-A		33006	Flat Washer
17-B	HDC-900-VESTIL POWER UNIT-A		33620	Lock Washer
18	HDC-900-VESTIL POWER UNIT-A		11107	Bolt
18-A	HDC-900-VESTIL POWER UNIT-A		33008	Flat Washer
18-B	HDC-900-VESTIL POWER UNIT-A		33622	Lock Washer
18-C	HDC-900-VESTIL POWER UNIT-A		36106	Hex Nut
19	HDC-900-VESTIL POWER UNIT-A		11005	Bolt
19-A	HDC-900-VESTIL POWER UNIT-A		33618	Lock Washer
19-B	HDC-900-VESTIL POWER UNIT-A		36102	Hex Nut
19-C	HDC-900-VESTIL POWER UNIT-A		33004	Flat Washer
20	HDC-900-VESTIL POWER UNIT-A		AB-1164S	Filler Breather
21	HDC-900-VESTIL POWER UNIT-A		22-627-003	Manifold Assembly (Includes Valves)
22	HDC-900-VESTIL POWER UNIT-A		22-529-003	Electrical Control Panel
23	HDC-900-VESTIL POWER UNIT-A		22-016-017	Panel Mounting Brackets
24	HDC-900-VESTIL POWER UNIT-A		11005	Bolt
24-A	HDC-900-VESTIL POWER UNIT-A		33618	Lock Washer
24-B	HDC-900-VESTIL POWER UNIT-A		36102	Hex Nut
24-C	HDC-900-VESTIL POWER UNIT-A		33004	Flat Washer
25	HDC-900-VESTIL POWER UNIT-A		ET2L-252	Heater (230 v)
25	HDC-900-VESTIL POWER UNIT-A		ET3L-504	Heater (460 v)
26	HDC-900-VESTIL POWER UNIT-A		5406-P-06	Pipe Plug
27	HDC-900-VESTIL POWER UNIT-A		568-011-BN70	O-Ring
28	HDC-900-VESTIL POWER UNIT-A		121201JY	Spring