



LOUISVILLE®

LADDERS TRUSTED BY THE PROS FOR OVER 60 YEARS

Ceiling Mounted Folding Attic Ladders Installation Instructions

WARNING

Before you start installing your new Louisville Ceiling Mounted Folding Attic Ladder, you must read and understand the following:

1. Installation requires two people.
2. Do **NOT** open folding attic ladder until it is securely installed in the ceiling.
3. Check the ceiling height to make sure the ladder length is correct. If the ladder is too short, return it to the point of purchase for an exchange. Under no circumstance is any folding attic ladder to be used when the ceiling-to-floor measurement exceeds the maximum ceiling height as indicated for the Ceiling Mounted Folding Attic Ladder you are installing (See “Maximum Ceiling Height” column in Table 2 on Page 4)
4. This folding attic ladder is completely assembled and is ready for installation. Do not disassemble it to install.
5. The springs on this folding attic ladder are under tension. Use extreme caution when adjusting, checking, or using this folding attic ladder. Never try to adjust or remove the spring when the folding attic ladder is in the open position.
6. Prior to installation, check all nuts, bolts, and screws for proper tightness. Re-check these periodically after initial installation.
7. Make sure there is no wiring or piping that the saw or drill can come in contact with during installation.
8. Opening or standing on the folding attic ladder’s climbing sections prior to properly fastening to ceiling joists could cause serious bodily injury.
9. If the home has roof trusses, do not cut the ceiling joists without consulting an engineer for approval.

10. Before installation, read all the instruction labels on the folding attic ladder.
11. Improper installation of this folding attic ladder could put undue stress on its components and could result in failure and serious bodily injury.
12. Follow the “Trimming Wood Folding Attic Ladder to Length” instructions on the Critical Step Detail Page (See page 9) for proper trimming instructions.
13. **Do NOT use deck or sheetrock screws to install folding attic ladder.**

Included with your Folding Attic Ladder

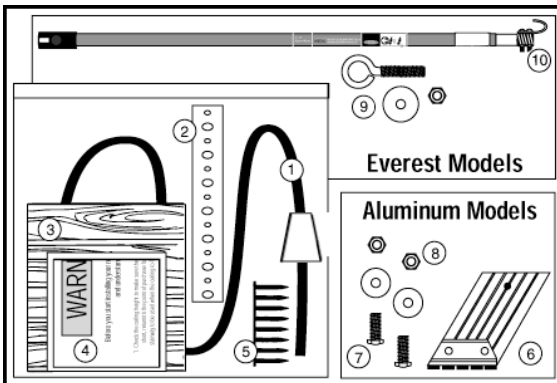


Figure 1 – All Models

Attic Ladder Series Name and Model Number Cross Reference

Wood				
Series	Models			
Premium	S224P	S254P	L224P	L254P
Champion	CS224P	CS254P	CL224P	CL254P
	CS224I	CS254I	CL224I	CL254I
Big Boy	S305P	L305P		

Aluminum				
Series	Models			
Summit	AS226P	AS256P	AL226P	AL256P
Everest	AL258P			

No.	Item	Qty.
1	Pull Cord – 36”	1
2	Support Straps	4
3	Shim 4” x 6”	1
4	Installation Instructions	1
5	Roofing Nails – 7/8”	8
6	**Aluminum Feet	2
7	**3/4” Bolts	2
8	**1/4” Lock Nuts & Washers	2
9	+Eyebolt, Nut & Washer	1
10	+Pole Hook	1
**Aluminum Models +Everest Models		

Table 1

For Residential Use Only

INSTALLATION INSTRUCTIONS

FOR WOOD MODELS (PREMIUM, CHAMPION, BIG BOY)
AND FOR ALUMINUM MODELS (SUMMIT & EVEREST)

READ INSTRUCTIONS AND WARNINGS COMPLETELY BEFORE STARTING

IMPORTANT: Do not open folding attic ladder until instructed to in step number 3.

PEOPLE, TOOLS AND MATERIAL NEEDED:

- Two (2) people are required
- Stepladder
- Hammer
- Adjustable Wrench
- Tape Measure
- Hand Saw
- Hack Saw (for aluminum models)
- Drill (for aluminum models)
- Nails and/or Lag Screws
- Braces (same length and width of the joists)
- Do **NOT** use deck or sheetrock screws to install folding attic ladder

Model		Rough Opening	Max. Ceiling Height "A"	Landing Space "B"	Swing Clearance "C"
S224P AS226P	CS224P CS224I	22-1/2" x 54"	8' 9"	67"	71"
S254P AS256P	CS254P CS254I	25-1/2" x 54"	8' 9"	67"	71"
L224P AL226P	CL224P CL224I	22-1/2" x 54"	10'	73"	79"
L254P AL256P	CL254P CL254I	25-1/2" x 54"	10'	73"	79"
S305P		30" x 60"	8' 9"	67"	71"
L305P		30" x 60"	10'	73"	79"
AL258P		25-1/2" x 63"	12'	90"	92"

Table 2

FOLDING ATTIC LADDER LOCATION:

Allow ample room for the landing space of the folding attic ladder when it is opened (see Figure 2 and Table 2). Locate the folding attic ladder rough opening so that when you enter the storage area, you will have adequate head clearance.

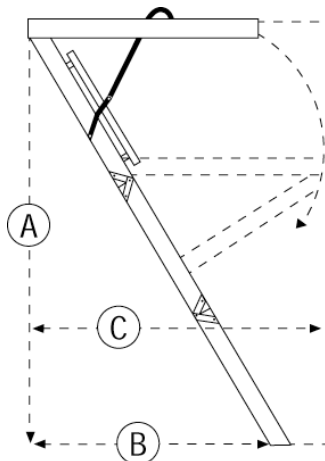


Figure 2

INSTALLATION INSTRUCTIONS FOR CEILING MOUNTED FOLDING ATTIC LADDER

1. Make a rough opening in the ceiling, and frame to size as shown in Table 2.
- If the folding attic ladder is wider than the spacing between ceiling joists, you should consult a structural engineer before installing, since cutting into a ceiling joist could weaken the structural integrity of your ceiling.

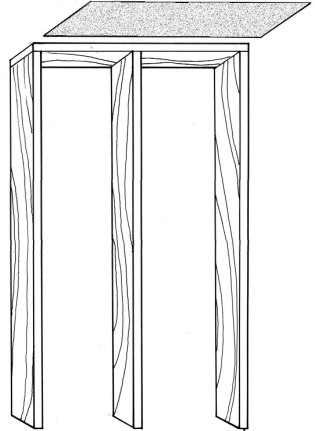


Figure 3

2. If you are cutting the ceiling joist, brace the area below the joist to be cut with heavy timbers to prevent this area of the ceiling from sagging (Figure 3). To maintain the structural integrity of the ceiling, the frame, two headers and a stringer (as shown in Figure 4) should be constructed of two-inch lumber and nailed securely to the ceiling joists.
- Install metal E-Z hang straps to the folding attic ladder (See Figure 5 on next page) prior to lifting folding attic ladder into rough opening.

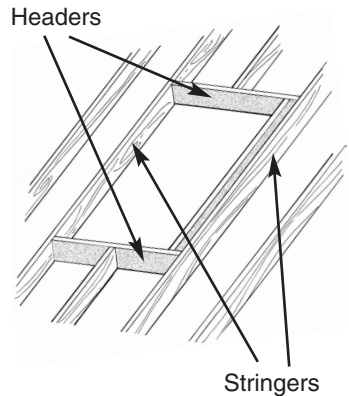


Figure 4

TEMPORARY SUPPORT STRAP INSTALLATION

Provided are four (4) E-Z Hang temporary support straps for installing this folding attic ladder.

Follow instructions below to install straps.

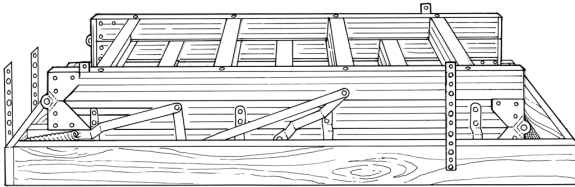


Figure 5

- A. Open the folding attic ladder box and remove the folding attic ladder.
- B. Place the folding attic ladder on the floor with the door opening on your left-hand side.
- C. Using the nails and straps provided, attach one strap using two (2) of the nails enclosed, on the outside of the folding attic ladder frame at the extreme right hand corner near the door stop blocks.
- D. Attach the second strap opposite the first strap on the far outside frame.
- E. The third and fourth straps should be positioned on the piano hinge frame end on each corner opposite the door opening.

INSTALLATION INSTRUCTIONS FOR CEILING MOUNTED FOLDING ATTIC LADDER (continued)

3. Position one person in the attic, and position one person in the room below (the room the attic ladder will unfold into).
 - The person in the room below will need to raise the folding attic ladder into the rough opening and position the folding attic ladder's door flush with the ceiling surface.
 - When a stepladder is used, make sure that the user's weight and that of the folding attic ladder plus any tools does not exceed the load capacity of the stepladder [see notice labels on stepladder for safety information and load capacity].
 - The person in the attic should then bend the metal "E-Z Hang" strapping at the four corners of the folding attic ladder over the adjoining ceiling joists and nail through the metal strapping to temporarily suspend the folding attic ladder.
 - **This is only for temporary support. DO NOT STAND on the climbing sections of the folding attic ladder while installing.**
 - CAREFULLY open the folding attic ladder door, but DO NOT unfold the climbing sections. While standing on the stepladder, center and square the folding attic ladder in the rough opening using shims (not provided).

INSTALLATION INSTRUCTIONS FOR CEILING MOUNTED FOLDING ATTIC LADDER (continued)

4. Plywood shims provided with this unit are for final squaring only.

- If the space between the rough opening and the folding attic ladder frame exceeds a quarter of an inch of space, a piece of plywood or some other spacing material should be placed along the full length of the unit.
- Then use the plywood shims provided to make the final square adjustments.
- Check to be sure that the folding attic ladder door is flush with the ceiling before final nailing.
- Be certain to install nails or lag screws in the holes provided in the hardware pivot plates and the corner brackets (see Figure 6).
- Once the folding attic ladder is positioned as desired, final nailing should be done through the folding attic ladder frame (see Figure 6).

5. Double check the instructions to make sure that the folding attic ladder is properly installed prior to use.

**THE SPRINGS ARE UNDER
TENSION. USE EXTREME CAUTION
WHEN ADJUSTING, CHECKING,
OR USING**

6. Please turn to the “Trimming to Length” section to complete trimming the folding attic ladder to length.

7. To install trim molding, leave a 3/8” clearance between the door panel and the trim on all sides.

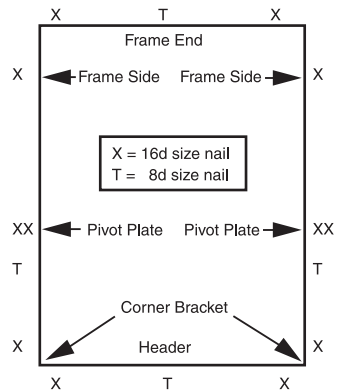


Figure 6

Critical Step Detail Page

Your safety is dependent upon following these instructions

TRIMMING FOLDING ATTIC LADDER TO LENGTH

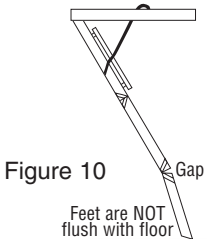
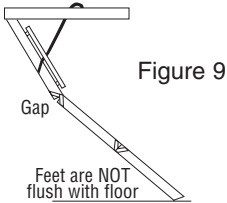
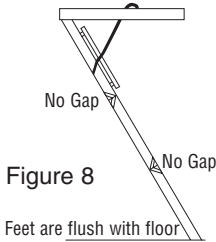
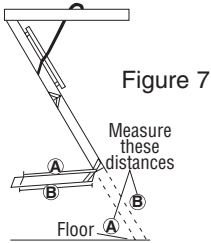


Figure 7 shows how to trim to length as explained in the following directions:

1. Press down on the climbing section to insure that the power arms are fully extended.
2. Fold the bottom section under the middle section.
3. With a straight edge, measure distances from joint to floor, for both A & B lengths. Record the results in the space provided on Table 3.
4. Then measure this length on the rails for a cutting line. Place a support under the bottom section and trim to your measured cutting line on the ladder rails.

Additional Steps for Aluminum Models Only:

1. Press down on the climbing section to insure that the power arms are fully extended.
2. Slide aluminum foot over ladder rail. Position foot so that extended section remains straight and the foot is in full contact with the floor. Drill through hole provided on the foot. Anchor securely with $\frac{3}{4}$ " bolts provided.

	Left Rail	Right Rail
"A" Length		
"B" Length		

Table 3

Check the length after making your cuts

1. Again, be sure the attic ladder power arms are fully extended.
2. Trimmed correctly, your attic ladder should look like Figure 8.
 - No gaps in the section and both feet flat on the floor should be the result.
3. If the attic ladder looks like Figure 9, then both of the legs are too long, and the attic ladder is not safe to use.
 - Check your measurements and trim the legs to length.
4. If the attic ladder looks like Figure 10, then both of the legs are too short, and the attic ladder is not safe to use.
 - Do not use the folding attic ladder.
 - Call Louisville Ladder, 1-800-666-2811 and ask for Customer Service or e-mail info@louisvilleladder.com.

Attaching Hardware

For Wood Folding Attic Ladders and Summit Aluminum Folding Attic Ladders:

1. Knot one end of the pull cord. Slide opposite end of pull cord through bottom of pendant pulling knot snugly into neck of pendant.
2. Slide unknotted end of pull cord through hole in door from outside and then through the washer.
3. Knot end of pull cord, making sure that the knot is larger than the hole in the washer.

For Everest Aluminum Folding Attic Ladders [Model AL258P]: Attaching eyebolt to door

1. Slide eye-bolt through the hole in the attic ladder door.
2. Slide washer onto eye-bolt on the opposite side of the door.
3. Securely fasten nut onto the eye-bolt.

Everest Aluminum Folding Attic Ladder Opening and Closing Instructions

Closely follow instructions attached to pole hook when opening and closing Everest Folding Attic Ladder.

Required to open and close:

- Two People
- Folding Attic Ladder Pole Hook
- Stepladder or Platform ladder

Opening Instructions:

1. Standing on the floor, reach up with the pole hook and firmly hook the eye on the attic door.
2. Position a stepladder to the side of the attic ladder's climbing section drop-down area.

DANGER: Never place stepladder or person in the path of the attic ladder's climbing section drop-down area

3. Position the two people (one on the stepladder and one on the floor) on either side of the attic ladder drop-down area.
4. The person on the stepladder should slowly and carefully begin unfolding the two hinged sections of the attic ladder.
5. Continue to unfold the attic ladder until hinges are fully extended. Press downward on the climbing section to ensure power arm assembly is fully open and in the locked position.

Closing Instructions:

1. Position one person on the stepladder and the other on the floor on either side of the extended folding attic ladder
2. Begin folding up the bottom section of the ladder climbing section.
3. Use the pole hook to tap the power arm toward the open end of the attic ladder (away from the ladder hinge) to release power arm. (See Figure 11)
4. Hook the eye of the eyebolt on the door with the pole hook and push firmly upward until the springs engage and completely close the attic ladder door.
5. Remove pole hook and store in a safe place.

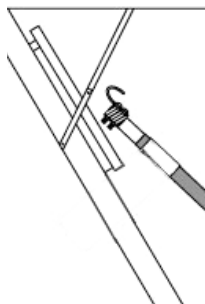
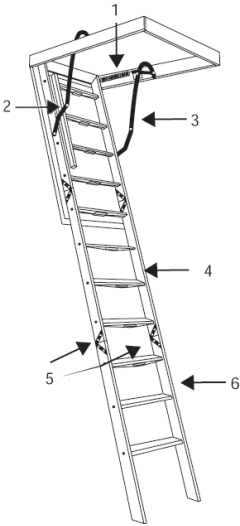


Figure 11

Replaceable Parts



Item Number	Item	Replacement Part No.
1	Tension Spring	999843B
	Tension Spring Everest / Big Boy	999843D
2	Power Arm Assembly (Left)	PR315500 LH
3	Power Arm Assembly (Right)	PR315500 RH

**For Replacement Parts:
Call Customer Service at 1-888-666-2811**



LOUISVILLE®

LADDERS TRUSTED BY THE PROS FOR OVER 60 YEARS

Louisville Ladder

www.louisvilleladder.com

1-888-666-2811