

600W Dimmer with Wi-Fi Technology

decora smart



APPLICATION

Control connected loads and lights from anywhere using the free My Leviton app for iOS and Android, no hub required. Simplify control of the residence - schedule lights and connected loads to turn on/off at specific times or based on sunrise/sunset, easily group smart devices into rooms, and create scenes to activate multiple lights at once. Supports dimmable LED and CFL technologies up to 300 Watts along with support for legacy incandescent lighting loads up to 600 Watts.

Voice Control

Amazon Alexa products provide voice control of this device: "Alexa, turn on living room lights". (Echo, Tap, and Dot sold separately).

Low-Wattage LED Loads

The new lighting control accessories are engineered to function with extremely sensitive, low-wattage light sources, such as a single LED bulb in a hallway or a strand of holiday lights, ensuring LEDs do not glow when off.

AESTHETICS

Dimmers leverage the popular Decora form factor and styling, along with compatible accessories including three-way devices, color change kits, and wallplates. The dimmers feature true rocker action, pressing the top to turn on and the bottom to turn off. Additionally, the dim/brighten bar is conveniently located along the right side of the paddle, ensuring ease of use with the state-of-the-art device. Vanishing LEDs on the left side of the paddle show current and target light level with real-time feedback. For the most professional and cleanest installation, pair the device with an optional Leviton screwless wallplate.

FEATURES AND BENEFITS

- Rated for dimmable CFL and LED loads up to 300W
- Rated for incandescent loads up to 600W
- Soft fade on/off
- On/off LED (bottom) and Brightness Level LED (left side)
- Multi-location (3-way) dimming is achieved using up to 4 remote units, DD00R-DL.
- Frequency: 908.42 MHz

RATINGS

- Incandescent - 600W - 120VAC, 60Hz
- LED/CFL - 300W - 120VAC, 60Hz

AGENCY STANDARDS AND COMPLIANCE

- Complies with UL 1472
- FCC Listing Part 15 and Part 18

WARRANTY INFORMATION

Five-Year Limited Warranty

Leviton Manufacturing Co., Inc. Global Headquarters

201 N. Service Rd. Melville, NY 11747-3138 Tech Line: 1-800-824-3005 Fax: 1-800-832-9538

Leviton Manufacturing Co., Inc. Energy Management, Controls and Automation.

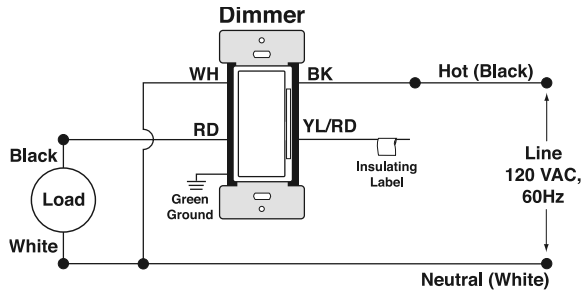
4330 Michoud Blvd., New Orleans, LA, 70129 Tel: 1-504-736-9810 Fax: 1-504-253-2954

Visit our Website at: www.leviton.com/decorasmart

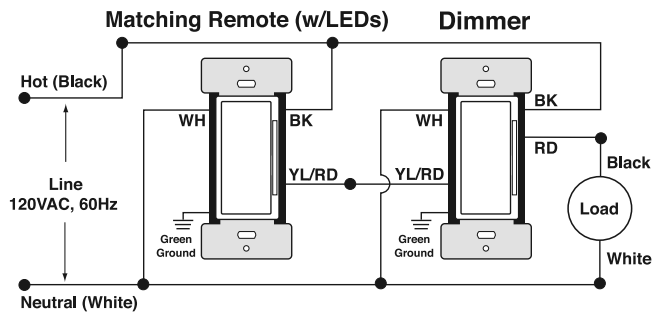
©2017 Leviton Manufacturing Co., Inc. All rights reserved. Subject to change without notice.

600W Dimmer with Wi-Fi Technology

SINGLE POLE WIRING DIAGRAM



THREE-WAY WIRING DIAGRAM



ORDERING INFORMATION

DESCRIPTION	CAT. NO.
600 Watt Dimmer with Wi-Fi Technology	DZ6HD
Matching Dimmer Remote	DD00R-DL

Leviton Manufacturing Co., Inc. Global Headquarters

201 N. Service Rd. Melville, NY 11747-3138 Tech Line: 1-800-824-3005 Fax: 1-800-832-9538

Leviton Manufacturing Co., Inc. Energy Management, Controls and Automation.

4330 Michoud Blvd., New Orleans, LA, 70129 Tel: 1-504-736-9810 Fax: 1-504-253-2954

Visit our Website at: www.leviton.com/decorasmart

©2017 Leviton Manufacturing Co., Inc. All rights reserved. Subject to change without notice.

SAT-10109
REV FEB 2017