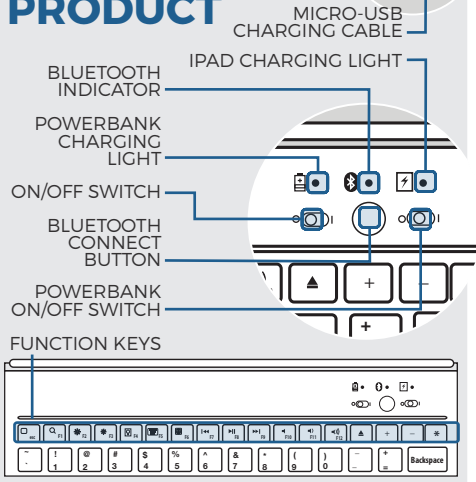


FEATURES

- QWERTY layout with regular resistance keys
- Built in powerbank providing extra 4000 mAh usage
- Easily transportable thanks to sturdy design
- Up to 120 degree viewing angle

To learn more about your product and it's full feature list, please visit us at www.coopercases.com

KNOW YOUR PRODUCT



1

FUNCTION KEYS

To use the function keys, hold down the 'fn' key on your keyboard and press your desired function key

Icon	Function	Icon	Function
	Home		Previous Song
	Search		Play/Pause
	Increase Brightness		Next Song
	Decrease Brightness		Mute
	Virtual Keyboard		Volume Down
	Switch Language		Volume Up

HOW TO PAIR

- Make sure your iPad is placed in the Kai Skel case securely. Line up the iPad with the case and simply click into place.
- Turn the On/Off switch to 'On' (The Bluetooth Indicator light will turn blue for 3 seconds and then switch off. This is just to save battery. Your keyboard is still on)
- Push the connect button (The Bluetooth Indicator light will start to flash)

2

ios

1. On your iPad go to - Settings>Bluetooth
2. Turn Bluetooth On
3. Search for available devices
4. Choose 'Bluetooth keyboard for IPAD'
5. You are connected.

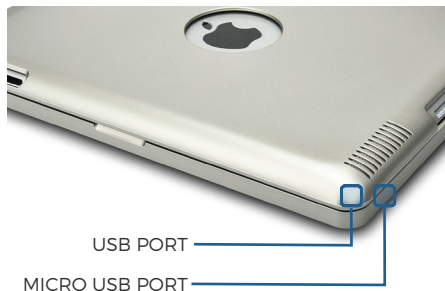
Note: Some devices will show a 4,6 or 8 digit pairing code on the screen. Simply type this code on your Kai Skel Keyboard Case and hit 'Enter' to connect. If no code is displayed then you can also try 0000 or 1234.

CHARGING THE KEYBOARD

1. Before first use, we recommend charging the Kai Skel Keyboard Case for a minimum of 6 hours
2. If the Status Indicator turns red or if your keyboard will not turn on, it is time to charge the keyboard.
3. Connect the keyboard to a computer/ wall outlet with the USB Charging Cable.
4. Your keyboard is now charging.
5. When the light turns off, your keyboard is fully charged. This usually takes around 2 hours.

3

CHARGING YOUR IPAD



If your iPad battery is low, you can charge it using your iPad USB cable. Just plug it into the iPad charging port on your Kai Skel Keyboard Case and turn the Powerbank Switch to 'On'.

TECHNICAL SPECS

Lithium Polymer Battery:.....4000mAh
Charging time:..... 4.5 Hours
DC Input:5v 1.5A
DC Output:5V 2.4A
Dimensions:.....247mm x 195.5mm x 24mm
Net Weight:......620g

TROUBLESHOOTING

Scan the below QR code to watch a video that will help you set up your Kai Skel Keyboard Case



If you have any questions, drop us an email at hello@coopercases.com

For a digital version of this manual please visit the link below.

Para manual de español por favor visite el siguiente enlace.

日本語での操作方法等に関しては、下記のリンク先をご覧ください。

Pour manuel d'instruction français, S'il vous plaît visitez le lien ci-dessous.

Per manuale di istruzioni italiano, si prega di visitare il link sottostante.

Für die deutsche Gebrauchsanweisung folgen sie bitte dem Link unten.

t2c.co/kaiskel234

COOPER KAI SKEL

INSTRUCTION MANUAL

POWERBANK CLAMSHELL CASE
FOR APPLE IPAD 2/3/4



**COOPER
CASES** 