

CORALIFE®

Bio CUBE®

PROTEIN SKIMMER

Instructions

For BioCube sizes
14, 29 and HQI

Also fits other
small aquariums



**Please read these
instructions in their
entirety before
attempting to use
this product.**

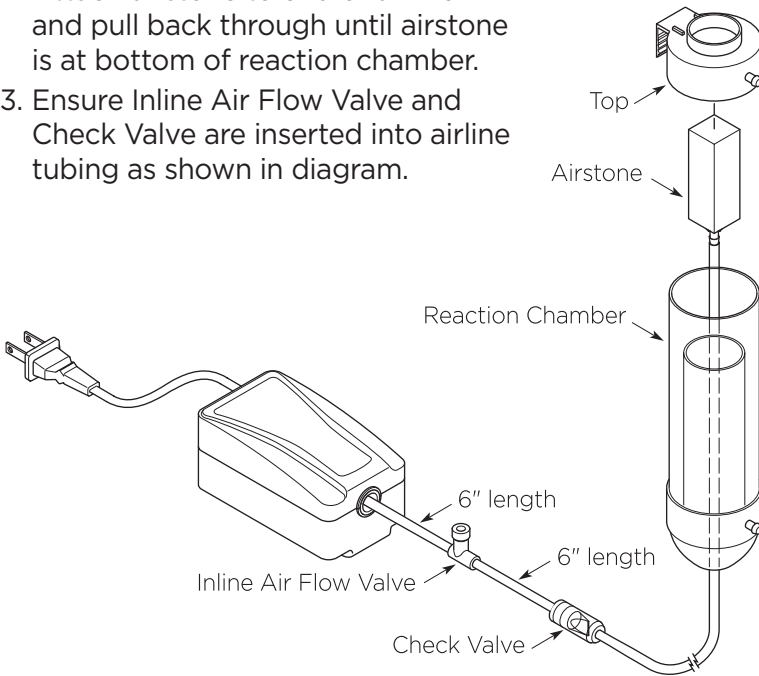
BioCube Protein Skimmer

Quietly and efficiently removes harmful organics from saltwater environments

- ◇ Simple installation
- ◇ Quick and easy to clean
- ◇ Compact design allows unit to be completely hidden
- ◇ Fits size 14, 29 and HQI BioCube aquariums, or use suction cups to fit any aquarium

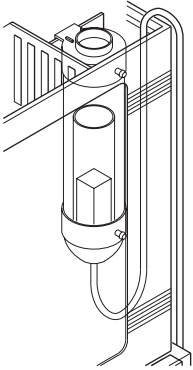
Installation Instructions

1. Insert airline tubing into air pump using end that has just 6" before the Inline Air Flow Valve.
2. Remove top from reaction chamber and insert the other end of the airline tubing through hole at bottom of reaction chamber. Push airline through until it comes out the top of the reaction chamber. Attach airstone to end of airline and pull back through until airstone is at bottom of reaction chamber.
3. Ensure Inline Air Flow Valve and Check Valve are inserted into airline tubing as shown in diagram.

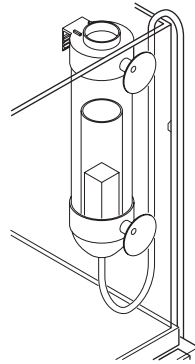


3. Remove cartridge from chamber one of BioCube. Using hanging clip on reaction chamber, hang protein skimmer on the wall between chambers one and two. Suction cups may also be used to attach protein skimmer to side wall of any aquarium.

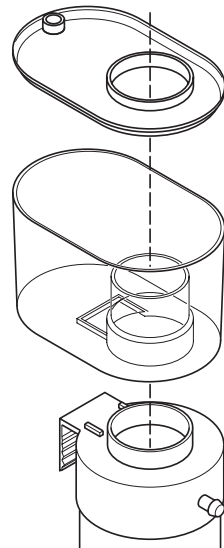
NOTE - If skimmer is in correct position, BioCube top will close properly.



Suction cups allow use of Protein Skimmer with any aquarium.

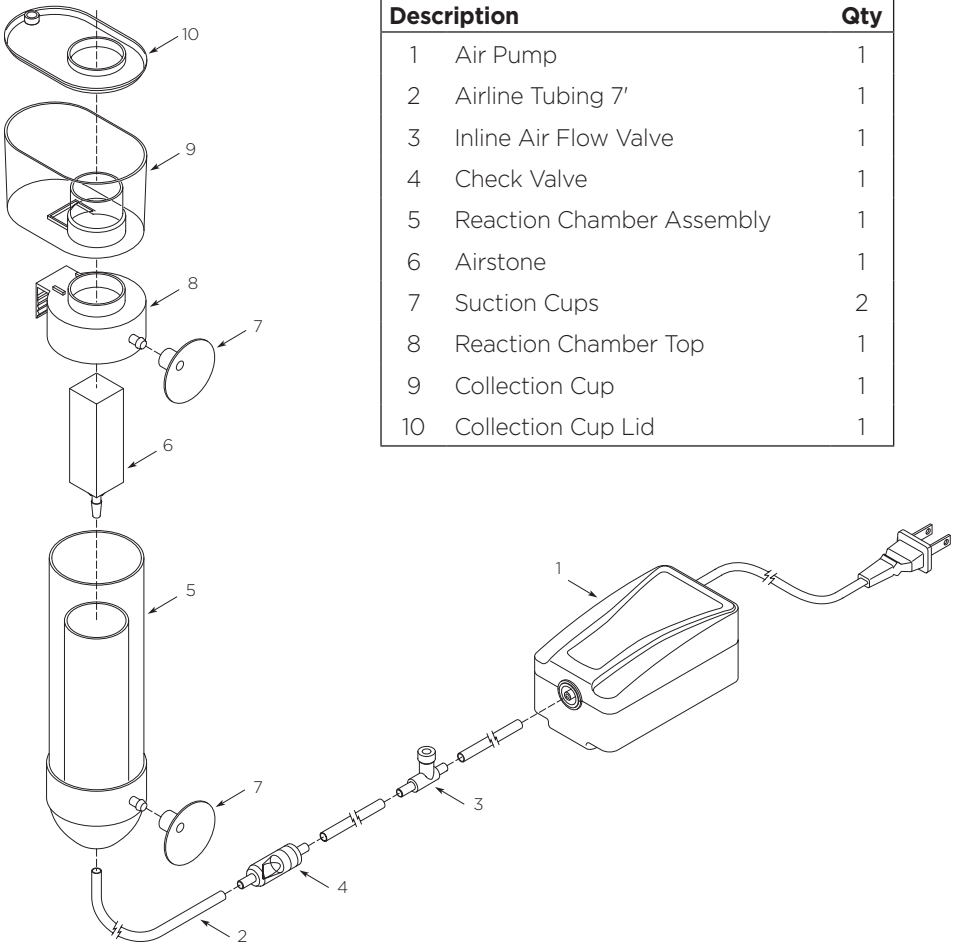


4. Place collection cup on top of reaction chamber. Pull airline tubing through knockout of back frame on BioCube hood, making certain that airflow is not restricted when BioCube top is closed.
5. Plug in pump. Adjust airflow adjustment nozzle so that bubbles stay just above the top of the reaction chamber.
6. When collection cup fills, remove and dispose of waste material.
7. Replace airstone monthly for optimal performance.



Parts List

Description	Qty
1 Air Pump	1
2 Airline Tubing 7'	1
3 Inline Air Flow Valve	1
4 Check Valve	1
5 Reaction Chamber Assembly	1
6 Airstone	1
7 Suction Cups	2
8 Reaction Chamber Top	1
9 Collection Cup	1
10 Collection Cup Lid	1



PROTEIN SKIMMER

Limited Lifetime Warranty

WHAT THE WARRANTY COVERS:

Central Aquatics (Company) warrants this Coralife product (see Exclusions below) to the original purchaser against defective material and workmanship that occurs during normal in-home use for the life of the product. Company will, at Company's option, either repair or replace same without charge (but no cash refunds will be made). This warranty is limited to replacement or repair of product only and does not cover loss of aquarium life, personal injury, property loss, or damage arising from the use of the product.

EXCLUSIONS:

1. Damage resulting from accident, misuse, abuse, lack of reasonable care, subjecting the product to any but the specified electrical service, other than the normal and ordinary use of the product, subjecting the product to abnormal working conditions or any other failure not resulting from defects in materials or workmanship.
2. Damage resulting from modification, tampering with or attempted repair by anyone other than the Company.
3. Transfer of product to someone other than the original consumer or purchaser.

WHAT YOU MUST DO TO ENFORCE WARRANTY:

Contact the Company by telephone:

888-255-4527

Or contact the Company by writing:

Central Aquatics

5401 West Oakwood Park Drive, Franklin, WI 53132

Attn.: Warranty

You must pay any postage, shipping charges, insurance costs and other expenses to return the product along with the original cash register receipt to Central Aquatics. However, if the necessary repairs are covered by the warranty, Company will pay the return shipping charges to any destination within the United States or Canada.

LIMITATION OF IMPLIED WARRANTIES AND EXCLUSION OF CERTAIN DAMAGES: THE COMPANY DISCLAIMS LIABILITY FOR INCIDENTAL AND CONSEQUENTIAL DAMAGES FOR BREACH OF ANY EXPRESS OR IMPLIED WARRANTY, INCLUDING ANY IMPLIED WARRANTY OF MERCHANTABILITY, WITH RESPECT TO THIS PRODUCT. THIS WRITING CONSTITUTES THE ENTIRE AGREEMENT OF THE PARTIES WITH RESPECT TO THE SUBJECT MATTER HEREOF; NO WAIVER OR AMENDMENT SHALL BE VALID UNLESS IN WRITING SIGNED BY THE COMPANY.

Some states do not allow the exclusion or limitation of consequential damages, so the above limitation or exclusion may not apply to you.

Coralife®

A product of Central Aquatics
(Division of Central Garden & Pet Co.)
Franklin, WI 53132 888.255.4527

Coralife® is a registered trademark of Central Garden & Pet Co.
© 2012 Central Garden & Pet Co.