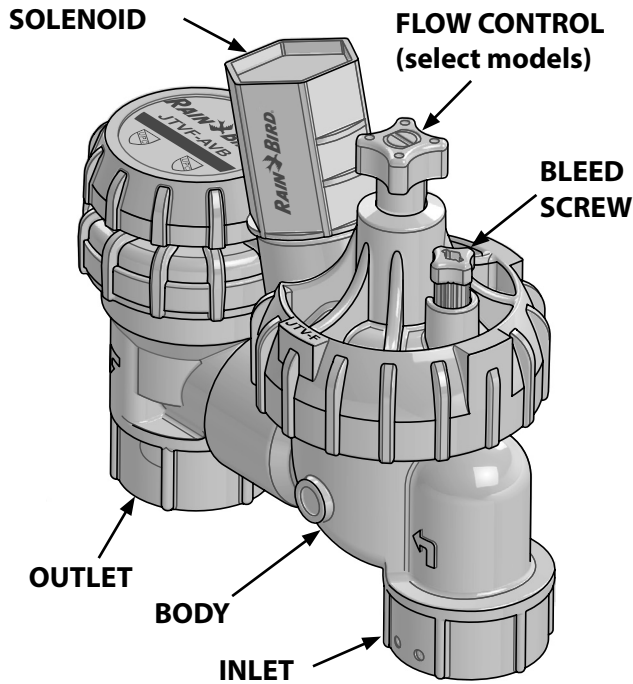




## JTV-AS Series Valve Installation and Operation



### Before Installation

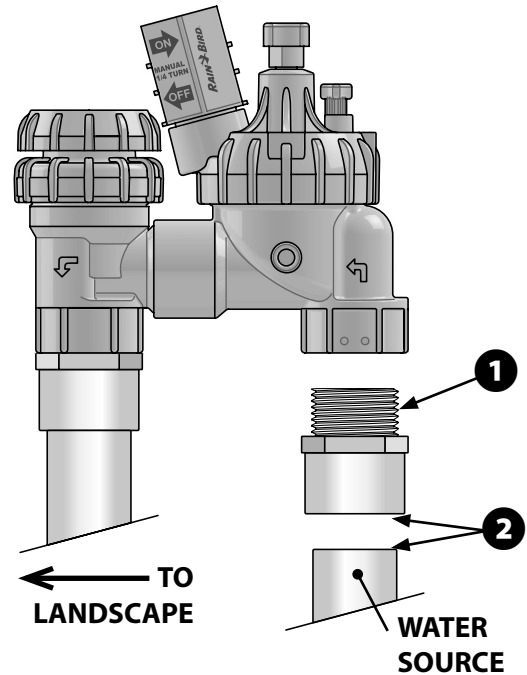
- Install master valves and pressure regulators as needed.
- A pressure regulator is required if water pressure exceeds 150 PSI (recommended over 80 PSI).
- Flush the system thoroughly until water runs clear.
- Shut off the main water supply.

**!** **NOTE:** Anti-Siphon valves must be installed a minimum of 6" above ground and the highest outlet in the zone supplied by the valve.

### Connect Valve to Pipes

- 1** Apply PTFE thread-seal tape to the male threads on the adapters, screw into the valve and hand-tighten. (do not use PVC glue or pipe dope on adapter threads).
- 2** Apply primer and then PVC cement to the ends of the pipe and inside the adapters per manufacturer's instructions.

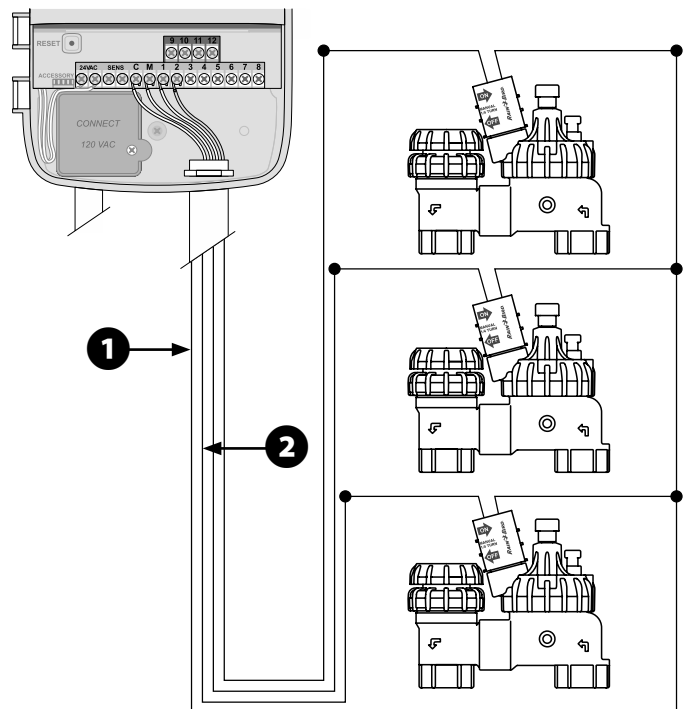
- 3** Ensure the valve arrows face in the direction of water flow, and push valve onto inlet and outlet pipes until secure. Follow PVC cement instructions for cure time.



### Connect Valve Wires

**!** **NOTE:** Use watertight connectors and direct burial wire for all connections.

- 1** Connect one solenoid wire to a common wire (usually white). All valves can share the same common wire.
- 2** Connect the second solenoid wire to a power wire (usually colored).



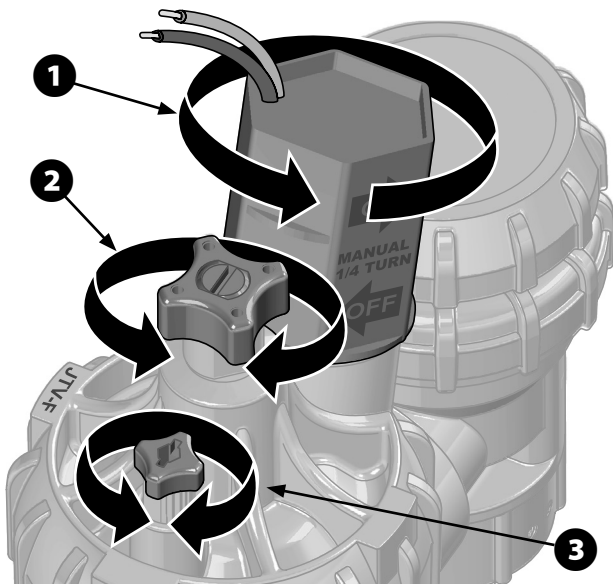
## Valve Operation

### Manual Operation:

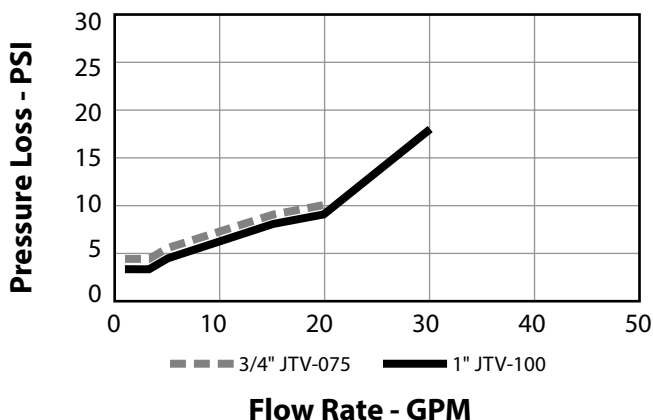
- 1 Manual on: Turn the solenoid counter-clockwise 1/4 turn. Do not unscrew completely. To close, hand tighten clockwise.
- 2 Flow control (select models only): Turn clockwise to restrict flow. Turn counter-clockwise to open flow.
- 3 Flush valve to clear debris: Turn the bleed screw counter-clockwise ONLY 1 turn. Flush one minute and turn clockwise to close.

### First Use:

- 4 Open the main water supply and flush one minute with bleed screw to clear debris.
- 5 Test wiring by using the Manual Water feature on the irrigation controller.
- 6 Adjust the flow control to reduce over-spray. (select models).



Pressure Loss Chart



## Operating Ranges

	JTV/AS-075 & JTV/ASF-075	JTV/AS-100 & JTV/ASF-100
Flow <sup>2</sup>	0.2 - 22 GPM	0.2 - 30 GPM
Pressure	15 - 150 PSI	15 - 150 PSI



**NOTE:** For flows below 3 GPM (0.75 m<sup>3</sup>/h), or any drip application, use a 200 mesh filter upstream and a pressure regulating filter downstream from the valve. 40 psi for 1" and 30 psi for 3/4" drip lines.

## Troubleshooting

Symptom	Solution
Valve Won't Turn On when Solenoid is Turned	Make sure flow control is open (select models)
	Check that main water supply is on
Valve Won't Turn On at the Timer	Make sure piping is connected properly and not blocked
	Verify timer settings are correct
	Check and repair wiring and connections as needed
Valve Won't Shut-off	Check and replace valve solenoid as needed
	Verify timer power output
	Verify timer settings are correct
Valve Won't Turn On at the Valve	Hand tighten solenoid and bleed screw if needed
	Incorrect timer settings
	Check wiring
	Check solenoid
Leaks at sprinkler heads	Timer not supplying power to the valve
	Make sure the Flow Control stem is not turned all the way closed
	Clear debris by opening the bleed screw and flushing 1 minute
Leaks around the valve	Remove and clean the diaphragm. Replace if needed.
	Check pipe fittings connection and glue, repair or replace as needed
	Hand tighten solenoid and bleed screw if needed
	If vacuum breaker is leaking (anti-siphon models) remove cap, gasket, and internal piston gasket to clean and reassemble
	Turn off main water supply, relieve pressure on the valve by opening the bleed screw and tighten the jar top bonnet



**NOTE:** During winter, shutdown and drain the system to protect valves from freezing. Failure to properly drain the lines can result in damage to the valves, which is not covered under the customer satisfaction policy.



**Rain Bird Corporation**  
Consumer Products Division  
6991 East Southpoint Rd. Bldg #1  
Tucson, AZ 85756  
Tel.: 1-800-RAINBIRD (800-724-6247)  
[www.rainbird.com](http://www.rainbird.com)

**Questions?**

In the USA or Canada, call Rain Bird  
toll free Technical Support at  
**1-800-724-6247**  
or visit our valves support web site



© Copyright 2016 Rain Bird Corporation  
® Registered trademark of Rain Bird Corporation  
P/N: 182195 06AP16EO