



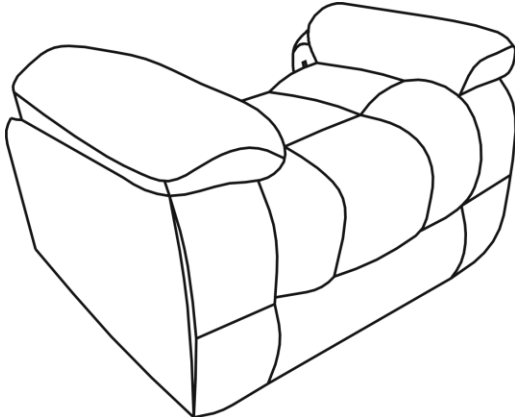
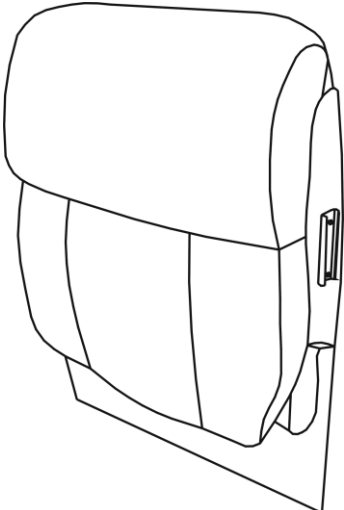
Assembly Instruction

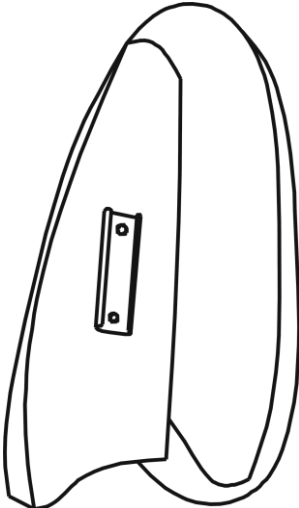
GLIDER RECLINING CHAIR

ITEM NO.: 9636CC-1

NOTE: Do not use power tools for assembly. Power tools increase the risk of over tightening which leads to splitting or cracking the wood.

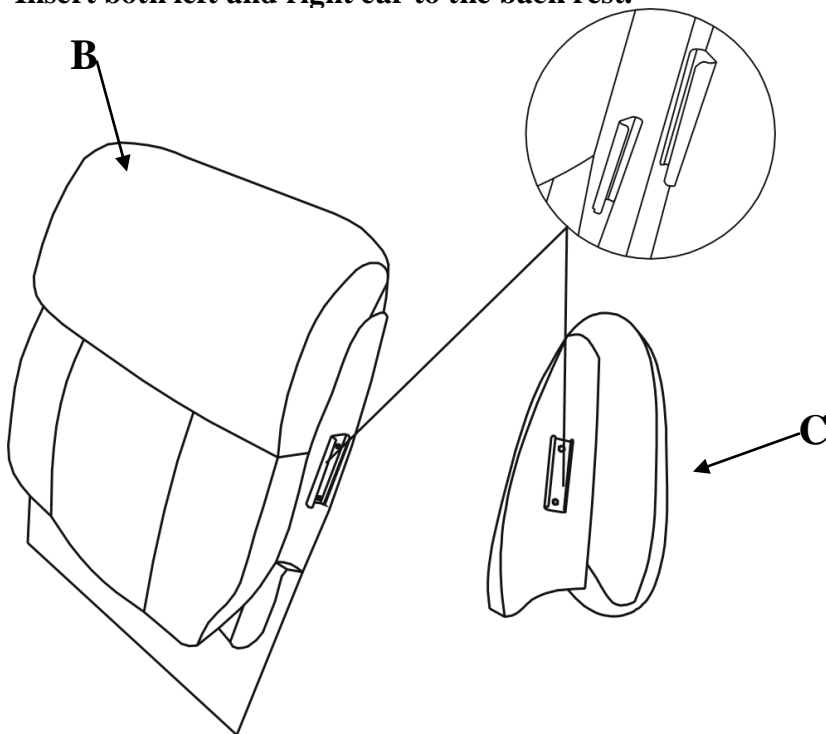
COMPONENT LIST (CHAIR)

NO.	DRAWING	QTY	DESCRIPTION
A		1	SEAT FRAME
B		1	BACK REST

C		2	LEFT EAR & RIGHT EAR
---	---	---	-------------------------

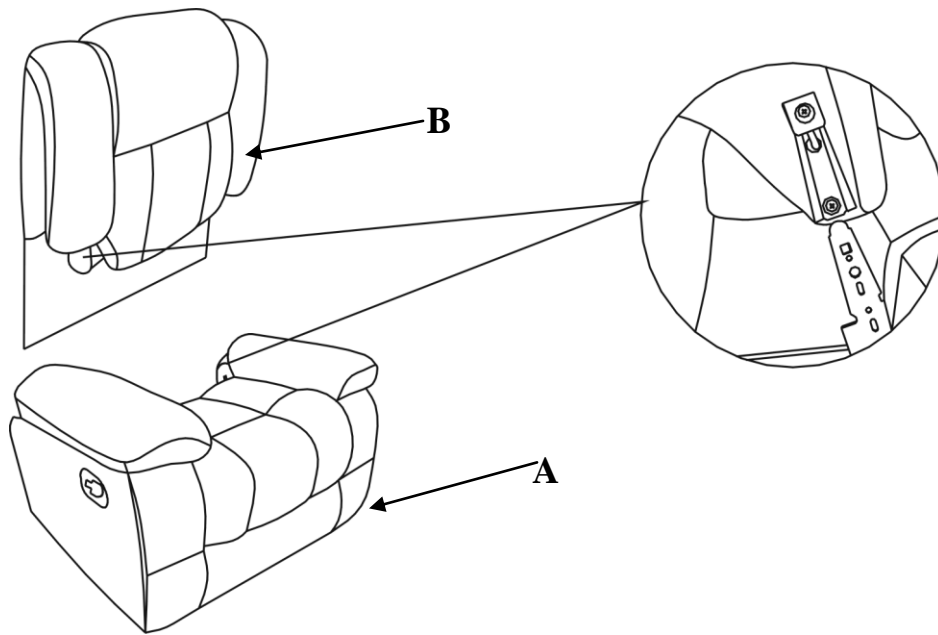
STEP# 1

Insert both left and right ear to the back rest.



STEP# 2

Insert the back rest to the seat frame.



Care Instruction for Fabric Furniture.

In order to maintain the original appearance of your fabric furniture, please follow below simple care procedures:

- Avoid exposing furniture directly to sunlight or heating and air conditioning outlets. Sunlight and/or exposure to heating and air conditioning outlets will fade/damage fabrics.
- Vacuum or wipe with a soft brush to remove dust.
- Clean fabric with professional cleanser.