

1.5 Toner cartridge and drum unit

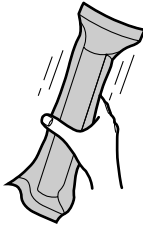
The supplied toner cartridge is a starter toner cartridge.

- To replace the toner cartridge and the drum unit, see page 54.

Caution:

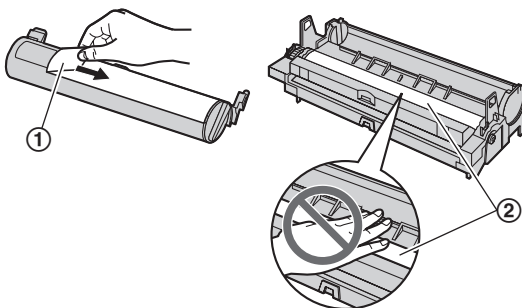
- **Read the following instructions before you begin installation. After you have read them, open the drum unit protection bag. The drum unit contains a photosensitive drum. Exposing it to light may damage the drum. Once you have opened the protection bag:**
 - Do not expose the drum unit to light for more than 5 minutes.
 - Do not touch or scratch the black drum surface.
 - Do not place the drum unit near dust or dirt, or in a high humidity area.
 - Do not expose the drum unit to direct sunlight.
- **Do not leave the toner cartridge out of the protection bag for a long time. It will decrease the toner life.**

- 1 Before opening the protection bag of the new toner cartridge, shake it vertically more than 5 times.

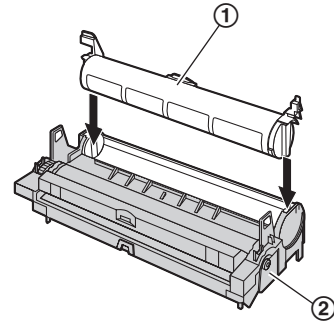


- 2 Remove the toner cartridge and drum unit from the protection bags. Peel off the seal (1) from the toner cartridge.

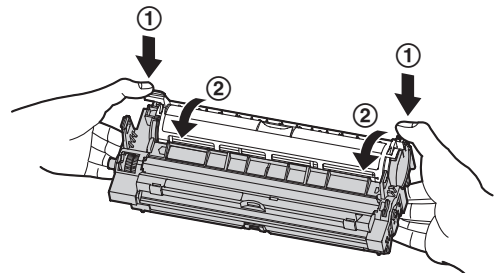
- Do not touch or scratch the black drum surface (2).



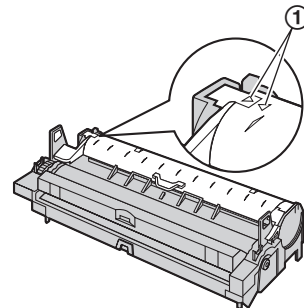
- 3 Place the toner cartridge (1) into the drum unit (2) vertically.



- 4 Press down the toner cartridge firmly (1). Keep pressing while turning the lever on each side of the toner cartridge towards you (2).

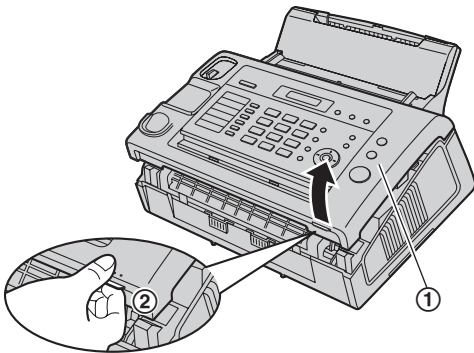


- 5 Make sure that the triangles (1) match, to install the toner cartridge correctly.

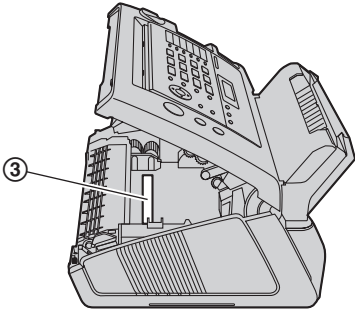


1. Introduction and Installation

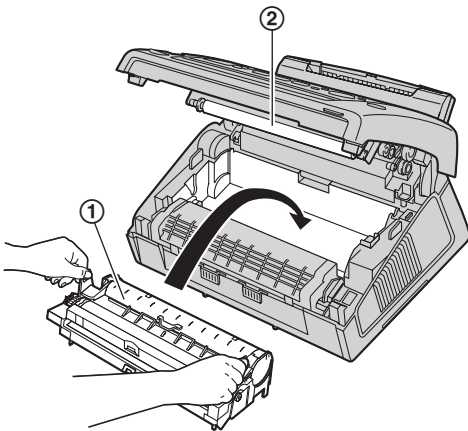
- 6 Lift open the front cover (①), holding the dotted area (②) on the right side.



- If the lower glass (③) is dirty, clean it with a soft and dry cloth.

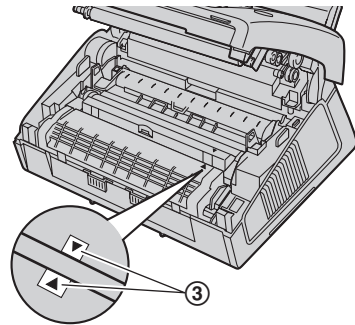


- 7 Install the drum and toner unit (①) by holding the tabs.

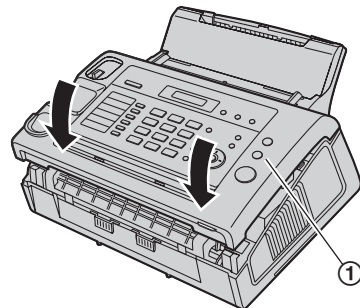


- Do not touch the transfer roller (②).

- Make sure that the triangles (③) match to install the drum and toner unit correctly.



- 8 Close the front cover (①) by pushing down on both sides, until locked.



Toner save feature

If you want to reduce toner consumption, set the toner save setting to ON (feature #79 on page 45). The toner cartridge will last approximately 40 % longer. This feature may lower the print quality.