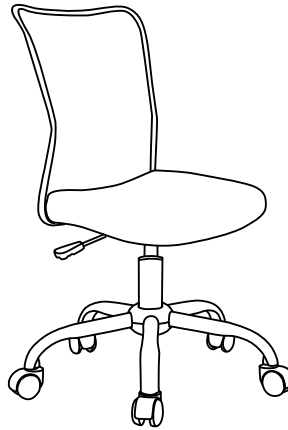




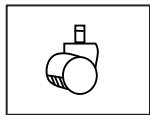
OFFICE CHAIR ASSEMBLY INSTRUCTION

<http://www.paylesshere.com>

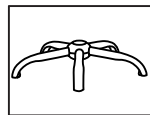


THANK YOU FOR PURCHASING OFFICE CHAIR
FDW-HL-OC1265

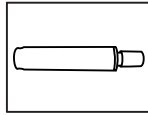
PARTS LIST



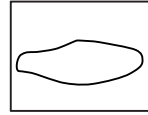
A 5×Wheels



B 1×base



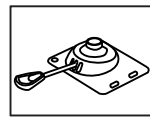
C 1×gas lift



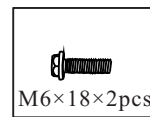
D 1×seat



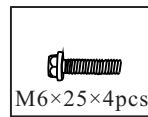
E 1×back



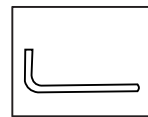
F 1×mechanism



M6×18×2pcs
G1 2×screws



M6×25×4pcs
G2 4×screws



H 1×allen key

WARNING

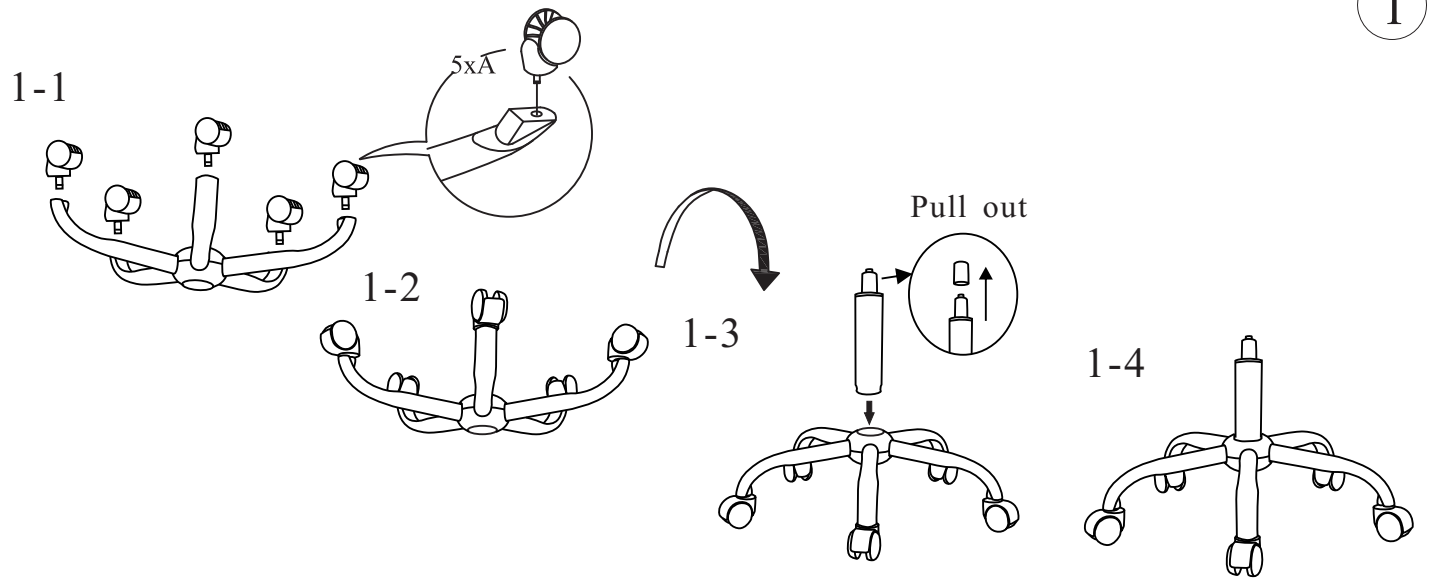
- Do not stand in this chair or use the chair as a step ladder use it as chair only.
- This chair is designed for one person to use at a time.
- This chair is designed for one person weighting up to 225lbs(102kgs).
- Do not use this chair unless all bolts, screws and knobs are firmly secured.
- Check all bolts,screws and knobs every 90days. Tighten if any are loose.
- Failure to follow these instructions may result in serious injury or death of yourself and people around you.
- Some of the part are heavy and/or has shape edge, please install it carefully to avoid hurt you and people around you.

If any parts are missing, broken, damaged or worn, stop using this chair

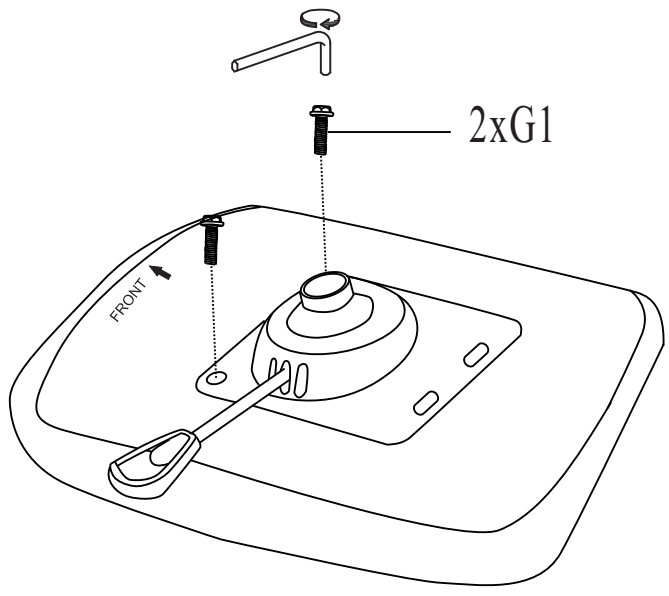
until repairs are made and factory replacement parts are installed. You

may obtain replacement parts by calling706-520-1087

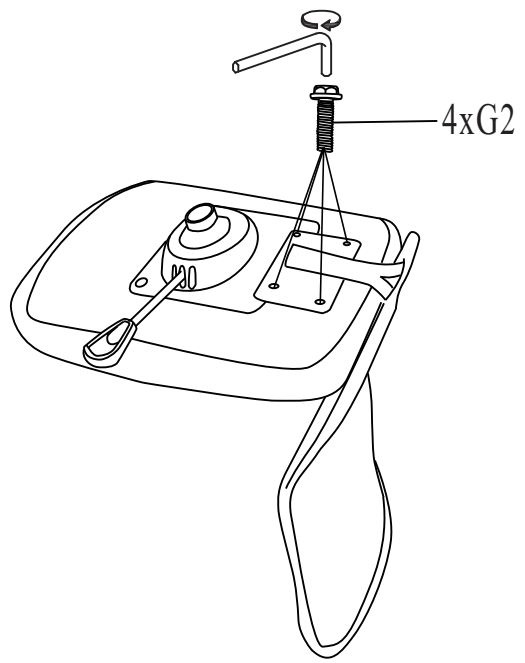
1



2

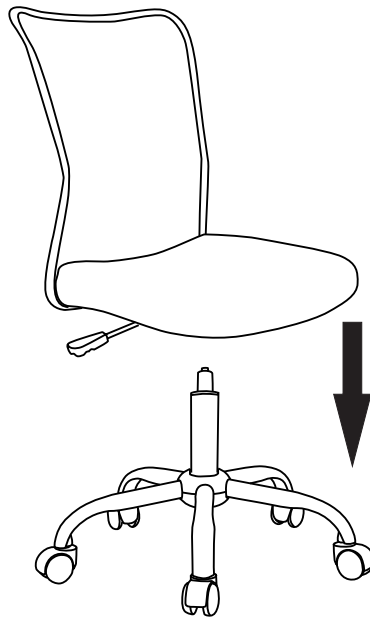


3



Attention: All the screws in, and then tighten them.

4



5

