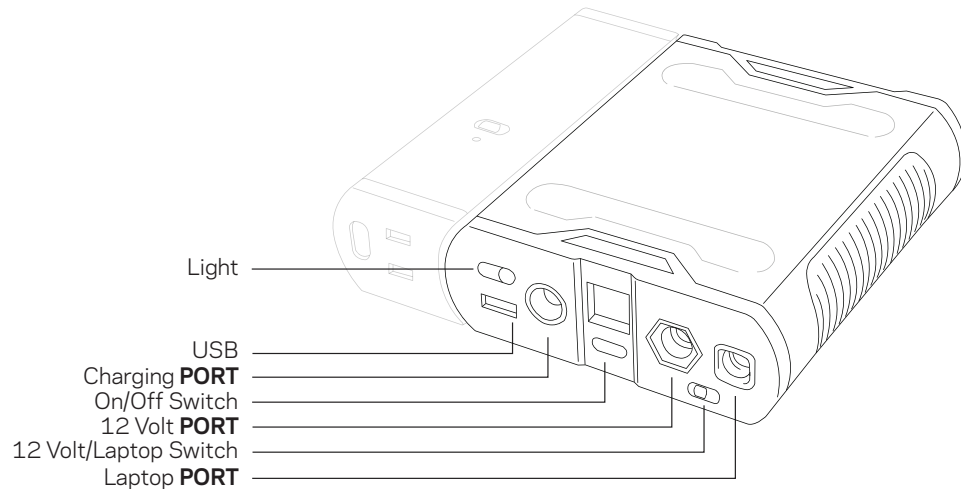


Technical Specifications	
Usage:	
Charge every 3-4 months, to maintain battery life.	
For up to 1-year storage, discharge to 50%, remove fuse, shelf in cool temperature	
Charging With:	
Approximate Charge Times	
AC wall charger	3 hours
12V car charger	3-4 hours
GOAL ZERO Nomad 13.5	6-12 hours
Inputs	
Charging port (8.0mm, blue, circle)	15-25V (30W max)
Outputs	
USB Port	5V, 0-1.5A (7W max), regulated
12V port (6.0mm, green, hexagon)	12V, 0-6A (75W max), regulated
Sidecar port (9mm, side)	9-13V, 0-10A (75W max), not regulated, Use with Sherpa inverter or for chaining

Laptop port (7.4mm, orange, square)	19V, 0-5A (75W max) regulated
AC Inverter (sold separately)	110VAC (75W max), modified-sine wave
Internal	
Battery type	Lithium-ion (NMC)
Battery capacity	50Wh+ (2x3x3.6V, 2.6Ah cells)
Battery voltage range	9-13V
BMS	Built-in charge controller, and cell output protection
Life-span	hundreds of cycles
Fuses	10A, standard car fuse
General	
Chainable	yes, with other Sherpa V2
Weight	1.1lbs
Dimensions	4.5 x 1.5 x 5 in (11.4 x 3.8 x 12.7 cm)
Warranty	12 months
Tested and Certified	FCC, CE
Operating usage temp.	32-104F (0-40C)



Know Your Gear

SHERPA 50 PORTABLE RECHARGER

User Guide

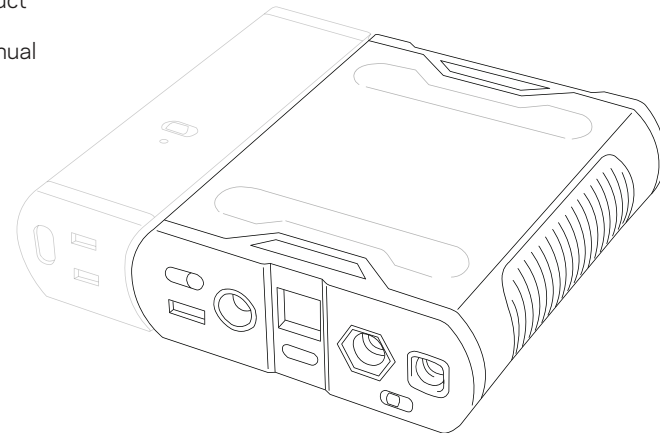


- Register your product
- Watch demo video
- Download user manual



Contact Us:
Toll Free: 888-794-6250
675 West 14600 South
Bluffdale, UT 84065
www.GOALZERO.com

We proudly support Tifie Humanitarian
www.tifie.org





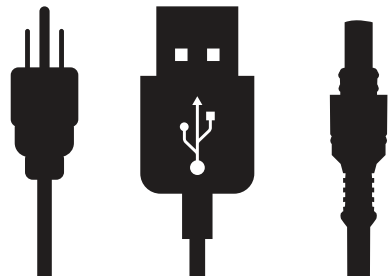
CHARGE

From AC, 12V, or solar panels.

1

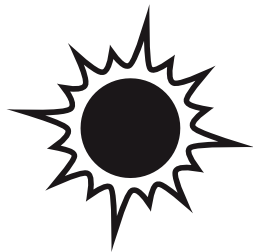
POWER

Plug in any AC*, 12V, or USB device.



2

*AC inverter sold separately



REPLENISH

To stay prepared
keep devices plugged into AC, 12V,
or solar panel.

3

Frequently Asked Questions

Q: How do I know if it is turned on?

A: Push the white power button below the LCD battery monitor and it will light up.

Q: How do I know if I have a full charge?

A: The LED battery monitor displays charge level in 20% increments. If all areas are shaded and the monitor says "FULL", then it is charged up and ready to go.

Q: Is it waterproof?

A: No. Although the SHERPA is durable, electricity and water don't mix well. Make sure the ports are dry before using the device.

Q: Can I take the recharger on an airplane?

A: Yes, the SHERPA is perfect for keeping your devices charged on long flights.

Q: How long can the Sherpa 50 hold its charge?

A: It can hold its charge for several months. However, to keep the battery healthy and ready to go, we recommend that you leave your SHERPA 50 plugged in between uses. If this is not possible, charge it every 3-4 months.

Q: What type of battery technology is it?

A: Lithium-ion NMC. It has these advantages: stores more energy; smaller and lighter watt for watt; and retains its charge even after months of storage.

Q: Can I chain multiple Sherpas together?

A: Yes. You can chain multiple Sherpas together through the sidecar port. Contact goalzero.com for the chaining cord.

Q: Why did it turn off automatically?

A: The SHERPA has a built-in feature that turns the unit off after a period of inactivity. This saves power. To override this mode and keep it in "always on" mode, simply hold down the power button for about 10 seconds. A small "ON" icon will appear in the upper left side of the LCD battery monitor if you are in "always on" mode. In this case, it will only turn off if it runs out of power or you turn it off.

Note for Extreme Users:

Long Term Storage: For long-term storage (up to a year), charge the Sherpa 50 to 50% full, then remove the fuse, and store in a cool place.