

Nema 17 Hybrid stepper Motor

Rev: A

Date: 140306

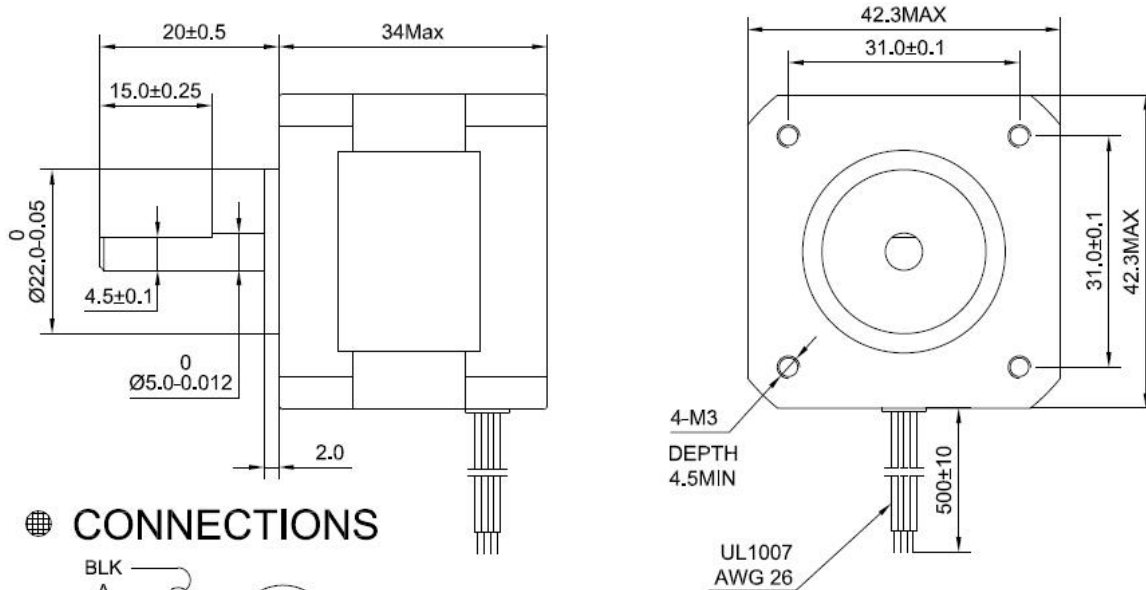
COMMON RATINGS

Step angle :	1.8°	Dielectric strength :	500VAC
Positional accuracy :	±5%	Insulation resistance :	100Mohm(500VDC)
Number of Phase :	2	Ambient Temperature :	-10°C~50°C
Temperature rise :	80°C MAX	Insulation class :	B
Rotor Inertia :	38gcm ²	Weight :	0.28Kg

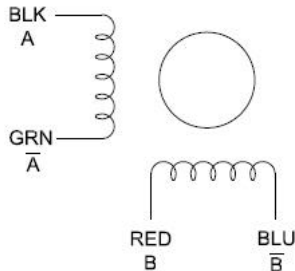
SPECIFICATIONS

Holding Torque (2 phases on) oz-in/N.m	Rated Current/Phase (Amps DC)	Phase Resistance (ohms) ±10%	Voltage Current/Phase (V DC)	Phase Inductance (mH)±20%(1KHz) Typical
36.8/0.26	0.4	30	12.0	37

DIMENSIONS unit=mm



CONNECTIONS

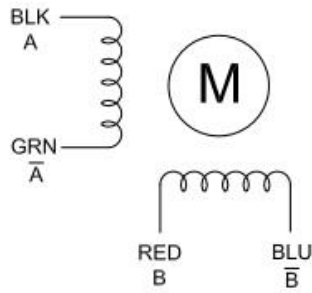


Note:

1. Lead Wires Should Be Stripped & Tinned.
2. All The Parts Are CE & RoHS Certified.

						17HS13-0404S			技术规格书	
标记	处数	分区	更改文件号	签名	日期				OSM TECHNOLOGY	
设计			标准化			阶段	标记	重量		
审核										
工艺			批准			共 张		第 张		

4 Wires Bi-Polar Full Step



CW DIRECTION	STEP	A	\bar{A}	B	\bar{B}
	1	+		+	
	2		+	+	
	3		+		+
	4	+			+
	1	+		+	

● direction of rotation as viewed from mounting end of motor

17HS13-0404S PULL OUT TORQUE 0.4A/PHASE 24V CONSTANT CURRENT HALF STEP

