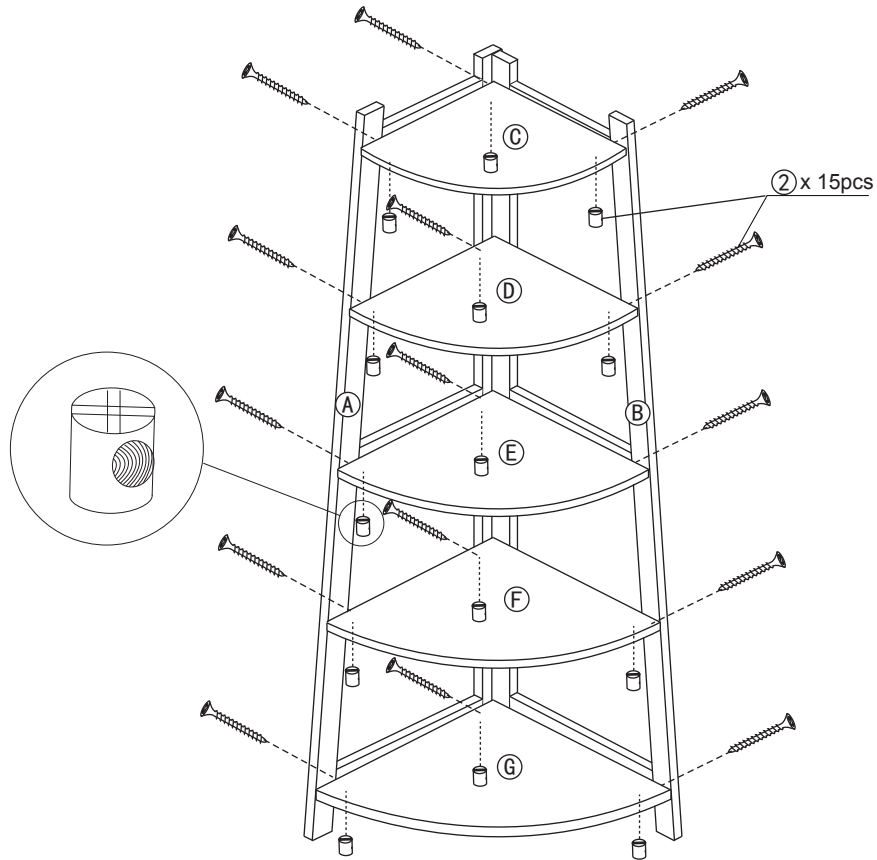
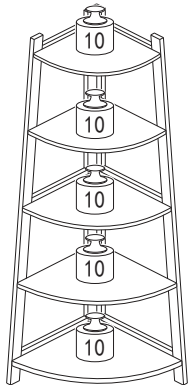


STEP 2

Attach Shelf Panel (C), (D), (E), (F), (G) with L/R Support (A), (B) using Screw/Dowel Nut (2).



Recommended Maximum Weight



*Unit in Pound(lbs)

WARNING:

>This unit has been designed to support the maximum loads shown. Exceeding these load limits could cause sagging, instability, product collapse, and/or serious injury.

>DO NOT allow children to climb on unit.

>Put heavier items on lower shelves.



Assembly Instruction

Furinno Yaotai 5-Layer Corner Ladder Garden Shelf

MODEL : **FNAJ-11112**

DIMENSION : 15.6"(W) x 45.9"(H) x 15.6"(D)

00:20

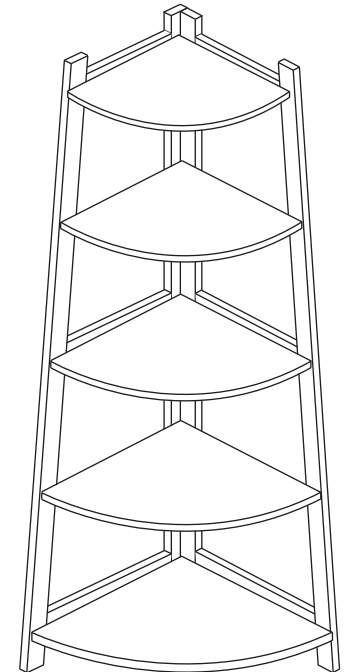
Approx. 20 minutes



Recomm. 1 Person



Tool Required



Customer Service

Tel/Fax: 281.500.9372




Toll Free: 773.299.8111 (Mon - Fri 9am - 5pm)

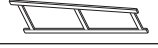






Email: support@furinno.com

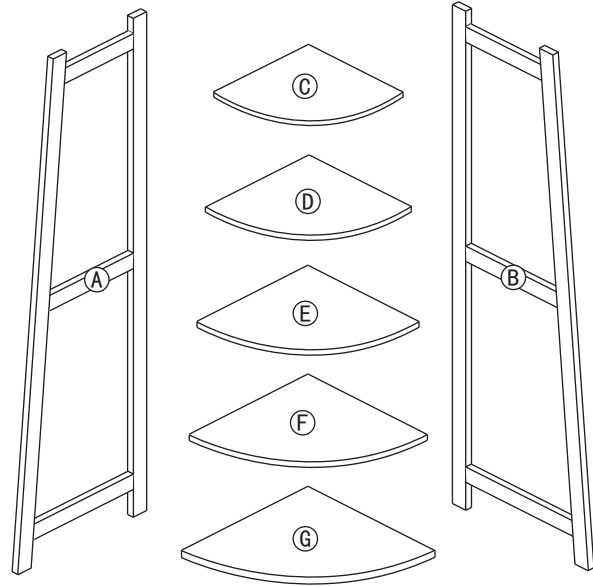
www.furinno.com

Find us on
f Facebook

Pinterest

No	Hardware List	Qty
1	Screw 	3pcs
2	Screw/Dowel Nut 	15pcs
3	Wood Dowel 	3pcs

No	Parts List	Qty
A	Left Support 	1pcs
B	Right Support 	1pcs
C	Shelf Panel 1 	1pcs
D	Shelf Panel 2 	1pcs
E	Shelf Panel 3 	1pcs
F	Shelf Panel 4 	1pcs
G	Shelf Panel 5 	1pcs



USEFUL HINTS BEFORE YOU START:

1. Read each step carefully before starting.
2. It is important that each step is performed in correct order to avoid difficulties.
3. Identify, sort and count the parts before assembly.
4. Assemble your furniture on packaging cardboard to prevent scratch or damage.
5. Clean the product with mild cleanser using soft damped cloth. Do not use harsh or abrasive cleanser.
6. Using incompatible hardware might cause damage to product.

STEP 1

Attach L/R Support (A), (B) using Screw (1) and Wood Dowel (3).

