

Please be sure to read the enclosed Shark® Owner's Guide prior to using your robot.

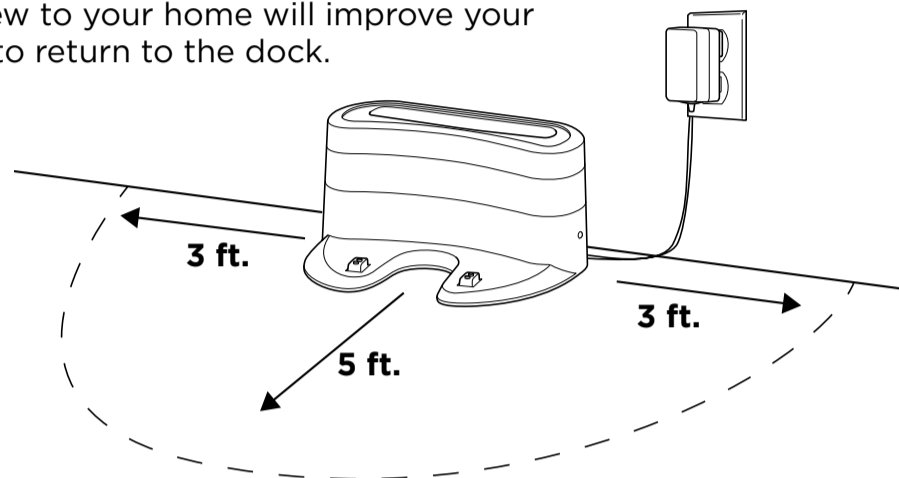
# CONGRATULATIONS ON YOUR NEW SHARK ION™ ROBOT

## Getting Started is Easy - Follow These Simple Steps To Get Cleaning

### STEP 1 SET UP YOUR CHARGING DOCK

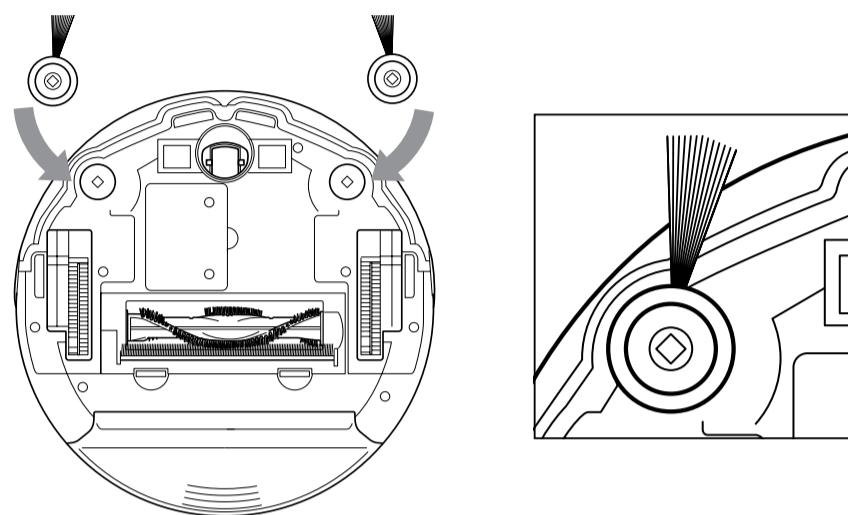
Place charging dock on a level surface with its **back against a wall**, in a space without obstructions, that can easily be accessed by your Shark ION Robot. Plug dock into a power outlet.

**NOTE:** Placing your dock in a central location with a wide view to your home will improve your robot's ability to return to the dock.



### STEP 2 INSTALL THE SIDE BRUSHES

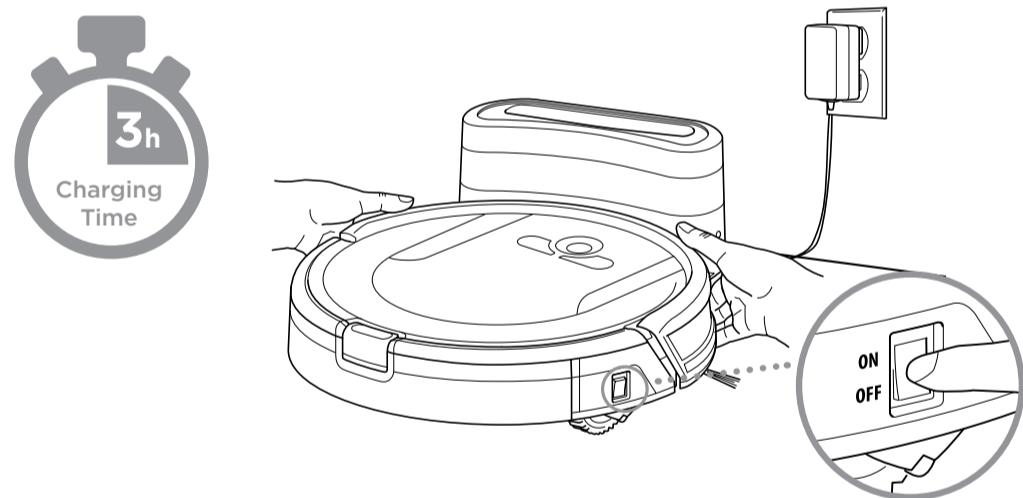
The 2 included side brushes snap onto the square pegs on the bottom of the robot. Press brushes down onto the pegs until they click into place.



### STEP 3 CHARGE YOUR ROBOT

Flip the Power switch located on the side of your robot to the ON position and place your robot on the dock. While the robot is charging, the indicator lights will blink.

When all 3 indicator lights are solid blue, your robot is fully charged. Press the Clean button to send your robot off into action.



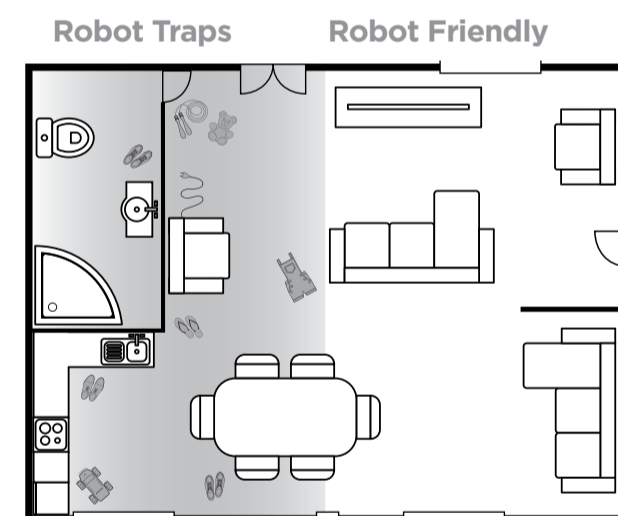
**NOTE: Power switch must be ON to charge**

### STEP 4 PREP YOUR HOME FOR CLEANING

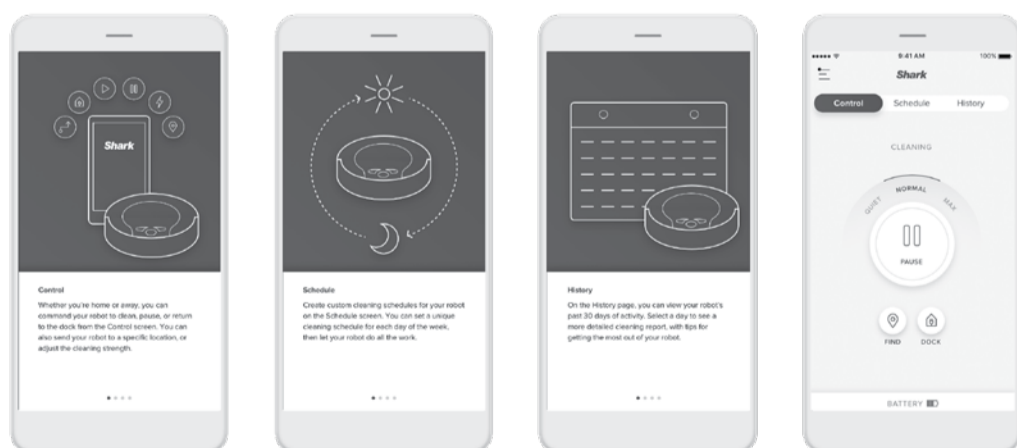
With Smart Sensor Technology, your robot maneuvers around obstructions and navigates its way out of tight spaces as it cleans. To help your robot complete its mission, prep your floor by removing all obstacles, such as loose power cords, clothes, toys, and low-hanging drapes.

Use the included BotBoundary™ strips to easily block off obstacles or areas you don't want your robot to enter.

See the **BOTBOUNDARY USAGE GUIDE** included with your BotBoundary strips for more information. See the **TIPS AND TRICKS FOR GREAT PERFORMANCE GUIDE** to discover how to get the best from your robot.



### STEP 5 GET THE FULL EXPERIENCE WITH THE APP



Want to start cleaning from anywhere? Schedule cleanings via your phone? Just download the easy-to-use Shark ION Robot app on your iPhone™ or Android™. Search "Shark ION Robot" in the app store and get started.

Find Tips, Tricks, and FAQs • Troubleshooting • Voice control setup for the Google Assistant and Amazon Alexa



# Shark ION ROBOT

Don't forget to register your robot at [registryourshark.com](http://registryourshark.com)  
Please be sure to read the enclosed Shark® Owner's Guide prior to using your unit.  
For assistance, visit us online at [sharkclean.com](http://sharkclean.com) or contact us at 800-798-7398

©2018 SharkNinja Operating LLC. SHARK is a registered trademark of SharkNinja Operating LLC. BOTBOUNDARY and SHARK ION are trademarks of SharkNinja Operating LLC. AMAZON, ALEXA, and all related logos are trademarks of Amazon.com, Inc. or its affiliates. APPLE, the Apple logo and iPhone are trademarks of Apple Inc., registered in the U.S. and other countries. APP STORE is a service mark of Apple Inc., registered in the U.S. and other countries. GOOGLE, GOOGLE ASSISTANT, GOOGLE PLAY, the Google Play logo, and ANDROID are trademarks of GOOGLE LLC.



@sharkcleaning